



Job _____ Item No. _____

Grill-Max® Bun Drawer and Bun Box

Heated Bun Drawer SST-20A SST-30A SST-50A SST-75A

Unheated Bun Box/Stainless Steel Door SS30BB SS50BB

Unheated Bun Box/ Clear Door SS30BBC SS50BBC



SST-50A

DESCRIPTION

Grill-Max® bun drawers and bun boxes are designed to compliment your Grill-Max® roller grill by adding or expanding your ability to store and safely preserve buns under a variety of circumstances.

SPECIFICATIONS

Bun boxes and drawers are constructed with stainless steel bodies and are constructed in the U.S.A. SST models will be made with a stainless cabinet, drawer slides, removeable bun pan, and chrome-plated bun rack. SS models with metal drawers will be made with a stainless cabinet, drawer slides, and removable bun pan. The models with clear plexiglass doors will utilize a self-closing door, and will not include pans or racks. Heated units will have an operation indicator light. Heated models will come with a factory attached cord with either a 5-15P plug or a CEE7-7 plug depending on version.

WARRANTY

These units come with a one [1] year warranty for parts and labor.

FEATURES

All Models

- Constructed with a stainless steel body and sturdy drawer design for dependable and durable service
- Stackable with Star roller grills to maximize counter space and product storage at the same time

Heated Bun Drawers

- Heated drawers operate from 80° F (26.7° C) to 200°F (93.3°C) to provide perfectly warm and moist buns
- Concealed controls to minimize the chance of tampering

Unheated Bun Boxes

- Low profile storage space for wrapped or unwrapped buns
- Optional clear door to promote impulse sales and display freshness

OPTIONS & ACCESSORIES

- SST30 shelf for use with 45 hot dog capacity grills [part number 45BWS]
- SST50 shelf for use with 75 hot dog capacity grills [part number 75BWS]

CERTIFICATIONS



STAR MANUFACTURING INTERNATIONAL INC.
10 Sunnen Drive • Saint Louis, Missouri 63143
Telephone 800 264 7827 • Fax 314 781 5445
www.star-mfg.com

Printed in the U.S.A. • 2M-Z21622 • Rev - • 11.2016
Specifications are subject to change without notice and are not intended for installation purposes.

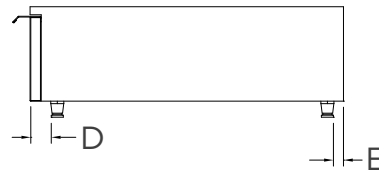
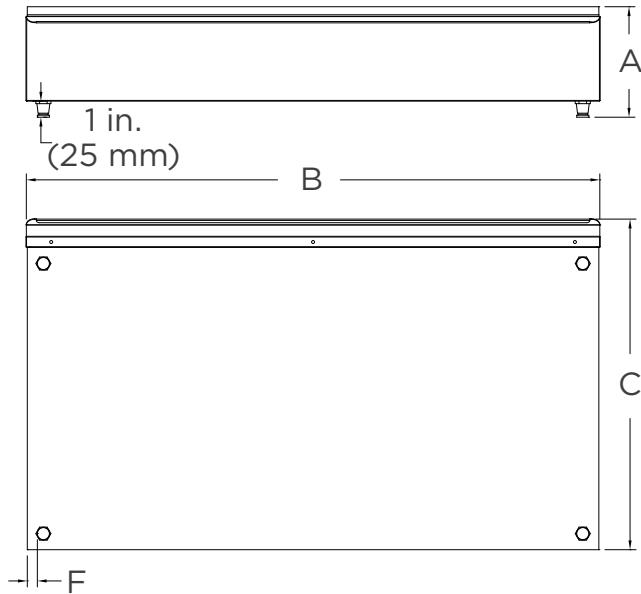


Grill-Max® Bun Drawer and Bun Box

Heated Bun Drawer □SST-20A □SST-30A □SST-50A □SST-75A

Unheated Bun Box/Stainless Steel Door □SS30BB □SS50BB

Unheated Bun Box/ Clear Door □SS30BBC □SS50BBC



MODEL	LEG DISTANCE FROM		
	FRONT [D] in. (mm)	BACK [E] in. (mm)	SIDE [F] in. (mm)
SST-20A	1.9 (48)	1.6 (41)	1.6 (41)
SST-30A	1.9 (48)	1.6 (41)	1.6 (41)
SST-50A	1.8 (46)	1 (25)	1 (25)
SST-75A	1.2 (30)	1 (25)	1 (25)
SS30BB	1.3 (33)	1.25 (32)	0.5 (13)
SS50BB	1.3 (33)	0.625 (16)	0.7 (18)
SS30BBC	1.3 (33)	1.25 (32)	0.5 (13)
SS50BBC	1.3 (33)	0.625 (16)	0.7 (18)

MODEL	VOLTS	AMPS	WATTS	NEMA PLUG	PLUG DISTANCE FROM	
					REAR	RIGHT
SST-20A	120 230	2.5 1.3	300	5-15P CEE7-7	3 in. (76 mm)	5.6 in. (142 mm)
SST-30A	120 230	3.75 1.96	450	5-15P CEE7-7	3 in. (76 mm)	5.6 in. (142 mm)
SST-50A	120 230	5 2.61	600	5-15P CEE7-7	3.2 in. (81 mm)	11.75 in. (298 mm)
SST-75A	120 230	5 2.61	600	5-15P CEE7-7	5.2 in. (132 mm)	1.4 in. (36 mm)
MODEL	BUN CAPACITY	HEIGHT [A] in. (mm)	WIDTH [B] in. (mm)	DEPTH [C] in. (mm)	APPROX. SHIP WEIGHT lb. (kg)	APPROX. WEIGHT INSTALLED lb. (kg)
SST-20A	32	9.5 (241)	17.2 (437)	20.4 (518)	41 (18.6)	35 (15.9)
SST-30A	48	9.5 (241)	23.75 (603)	20.4 (518)	54 (24.5)	41 (18.6)
SST-50A	64	9.5 (241)	35.7 (907)	20.4 (518)	75 (34)	58 (26.3)
SST-75A	96	10.5 (267)	35.7 (907)	22 (559)	79 (35.8)	70 (31.8)
SS30BB	48	6.9 (175)	23.75 (603)	20.6 (523)	39 (17.7)	26 (11.8)
SS50BB	64	6.9 (175)	35.7 (907)	20.6 (523)	49 (22.2)	38 (17.2)
SS30BBC	48	6.9 (175)	23.75 (603)	20.6 (523)	29 (13.2)	17 (7.7)
SS50BBC	64	6.9 (175)	35.7 (907)	20.6 (523)	38 (17.2)	28 (12.7)

Due to periodic changes in designs, methods, procedures, policies and regulations, the specifications contained in this sheet are subject to change without notice. While Star Manufacturing exercises good faith efforts to provide information that is accurate, we are not responsible for errors or omissions in information provided or conclusions reached as a result of using the specifications. By using the information provided, the user assumes all risks in connection with such use.



STAR MANUFACTURING INTERNATIONAL INC.

10 Sunnen Drive • Saint Louis, Missouri 63143

Telephone 800 264 7827 • Fax 314 781 5445

www.star-mfg.com

Printed in the U.S.A. • 2M-Z21622 • Rev - • 11.2016
Please refer to the owner's manual for information regarding installation or use.