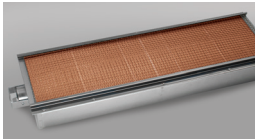
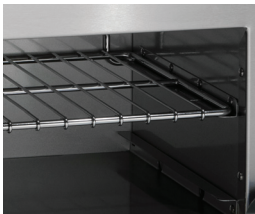


Model Numbers

ICMA-24 ICMA-36
ICMA-48 ICMA-60
ICMA-72 ICMA-84



Infra-red burner provides instant, even heating.



Chrome plated heavy duty rack.



ICMA-36 shown

INFRA-RED BURNERS - Provides instant even heat.

- 20,000 BTU (6 KW) ICMA-24 model.
- 40,000 BTU (12 KW) ICMA-36 model.
- 40,000 BTU (12 KW) ICMA-48 model.
- 60,000 BTU (17 KW) ICMA-60 model.
- 70,000 BTU (21 KW) ICMA-72 model.
- 80,000 BTU (23 KW) ICMA-84 model.
- Protective screen over infra-red burner for splatter protection.
- Individual left / right gas controls (except on ICMA-24) model.
- Adjustable gas valve.
- Continuous pilot for instant ignition.

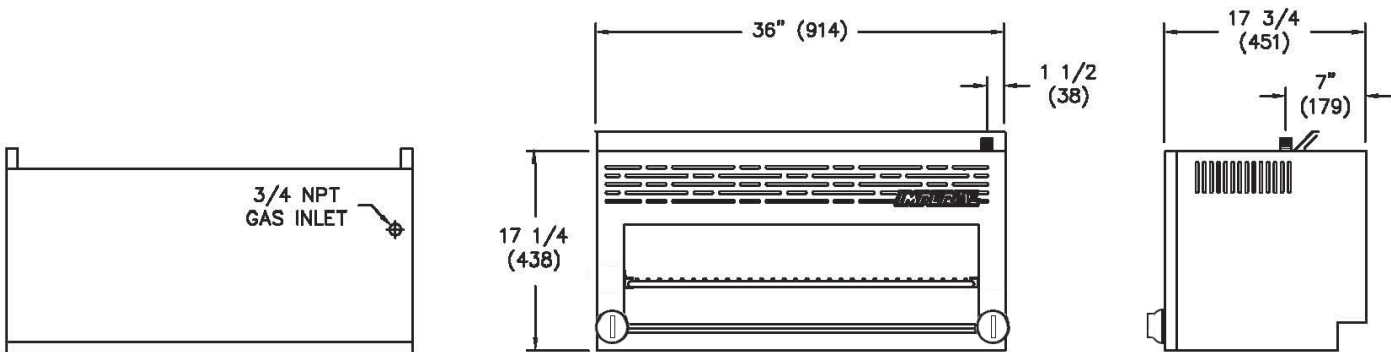
BROILER GRID - Chrome plated heavy duty rack.

- Loads and unloads easily.
- Full width, large capacity for high production in peak hours.
- Rack easily lifts out for cleaning.

EXTERIOR FEATURES - Stainless steel front, sides, top and bottom.

- Mounts over IR and IHR ranges, with mounting accessory.
- Can be wall or counter mounted.
- Welded and polished stainless steel seams.
- Control knobs are durable cast aluminum with a chrome finish.
- Available in 24", 36", 48", 60", 72" and 84" (610, 914, 1219, 1524, 1829, 2134 mm) widths.
- One year parts and labor warranty.





ICMA-36

RANGE MATCH CHEESEMELTER BROILERS

MODEL	WIDTH INCHES (MM)	TOTAL OUTPUT (KW)	SHIP WEIGHT (KG)	LBS
ICMA-24	24" (610)	20,000 (6 KW)	(48)	105
ICMA-36	36" (914)	40,000 (12 KW)	(75)	162
ICMA-48	48" (1219)	40,000 (12 KW)	(95)	208
ICMA-60	60" (1524)	60,000 (17 KW)	(125)	275
ICMA-72	72" (1829)	70,000 (21 KW)	(152)	335
ICMA-84	84" (2134)	80,000 (23 KW)	(184)	405

Measurements in () are metric equivalents.

MODEL	DIMENSIONS	CRATED DIMENSIONS
ICMA-24	24" w x 17-3/4" d x 17-1/4" h (610 x 451 x 438 mm)	26" w x 20" d x 21" h (660 x 508 x 533 mm)
ICMA-36	36" w x 17-3/4" d x 17-1/4" h (914 x 451 x 438 mm)	38" w x 20" d x 21" h (965 x 508 x 533 mm)
ICMA-48	48" w x 17-3/4" d x 17-1/4" h (1219 x 451 x 438 mm)	50" w x 20" d x 21" h (1,270 x 508 x 533 mm)
ICMA-60	60" w x 17-3/4" d x 17-1/4" h (1524 x 451 x 438 mm)	62" w x 20" d x 21" h (1575 x 508 x 533 mm)
ICMA-72	72" w x 17-3/4" d x 17-1/4" h (1829 x 451 x 438 mm)	74" w x 20" d x 21" h (1880 x 508 x 533 mm)
ICMA-84	84" w x 17-3/4" d x 17-1/4" h (2134 x 451 x 438 mm)	86" w x 20" d x 21" h (2184 x 508 x 533 mm)

MANIFOLD PRESSURE	MANIFOLD SIZE
NATURAL GAS 5.0" W.C.	PROPANE GAS 10.0" W.C. 3/4"

Specify elevation, if over 2,000 ft.

CLEARANCE REQUIREMENTS

For use only on non-combustible surfaces. Legs are required for counter top installation. Provide 0" clearance from non-combustible surfaces and 4" (102 mm) from combustible surfaces.

OPTIONS AND ACCESSORIES

- Wall mounting kits
- 4" (102 mm) leg kit for counter mounting
- Reinforcement channels for range mount
- One point 3/4" (19 mm) gas connection from ICMA to IR or IHR range
- Gas shut off valve, 3/4" N.P.T.
- Quick disconnect and flexible gas hose, 3/4" N.P.T

