



a Standex company

ITEM: _____ PROJECT NAME: _____ DATE: _____

COUNTER TOP SIGNATURE SERIES HOT SELF-SERVE

- MODEL CH2428SS
 CH3628SS
 CH4828SS



The Signature Series counter top self-serve merchandiser combines attractive curved glass styling and merchandising flexibility. Designed for continuous case line-ups. Cases are available in lengths of 2', 3' and 4'.

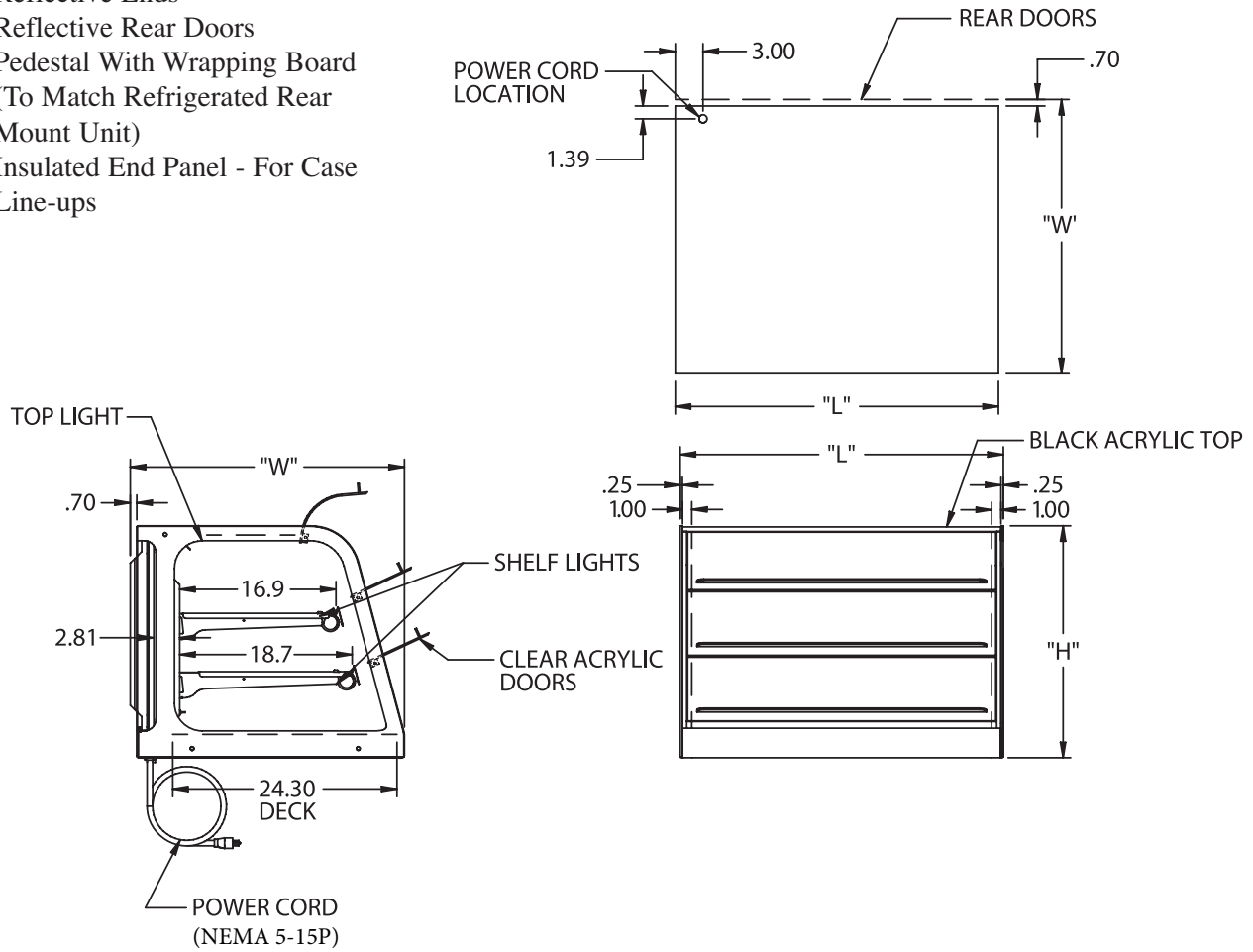
STANDARD FEATURES

- Curved glass styling.
- Three hinged lift-up front doors allow for customer access.
- Stainless steel heated shelves, two tiers. Shelves are adjustable up and down and can also be tilted in two positions.
- Tempered glass ends.
- Incandescent top and shelf lights.
- Removable sliding rear doors, shelf support, and shelves.
- Cord & Plug (NEMA 5-15P).
- UL Safety & UL Sanitation Listed.

SIGNATURE SERIES HOT SELF-SERVE COUNTER TOP MERCHANDISER

OPTIONAL ACCESSORIES:

- Reflective Ends
- Reflective Rear Doors
- Pedestal With Wrapping Board
(To Match Refrigerated Rear Mount Unit)
- Insulated End Panel - For Case Line-ups



SPECIFICATIONS:

Model	Dimensions L W H	Shipping Weight (lbs)	Electrical 120/60/1
CH2428SS	24.0" x 29.7" x 25.1"	290	7.2 AMPS
CH3628SS	35.0" x 29.7" x 25.1"	333	10 AMPS
CH4828SS	47.0" x 29.7" x 25.1"	375	12.5 AMPS

• Due to continuing engineering improvements, specifications are subject to change without notice.



Look to Federal for Innovative Merchandising



The Signature of Quality

FEDERAL INDUSTRIES
A Standex Company

215 FEDERAL AVENUE, BELLEVILLE, WISCONSIN 53508-9201

PHONE: 800-356-4206

EMAIL: geninfo@federalind.com

FAX: 608-424-3234

WEBSITE: www.federalind.com

