

Harmony

ITEM NO: _____
 PROJECT: _____
 DATE: _____

Product Specifications

Refrigerated Service Case



MODEL SHOWN: HMG2653R

- HMG2653R
- HMG3953R
- HMG5153R
- HMG6353R
- HMG7553R

Lengths include end panels
 26-3/4"L x 34-1/8"D x 52-5/8"H
 38-3/4"L x 34-1/8"D x 52-5/8"H
 50-3/4"L x 34-1/8"D x 52-5/8"H
 62-5/8"L x 34-1/8"D x 52-5/8"H
 75-1/8"L x 34-1/8"D x 52-5/8"H

STANDARD FEATURES

- Breeze™ w/EnergyWise s/c refrigeration
- Clear glass shelves, lighted (LED 3500K)
- Compressor air rear intake, front discharge. Toe kick cannot be blocked
- Condensate pan (self-contained refig. only)
- Curved double pane, lift-up front glass w/o lock
- Flat front panel
- Integrated average product temperature of 40°F or less
- LED 3500K top & shelf lights
- One year parts & labor; 5 year compressor warranty
- Rear sliding doors w/o lock (26" model swinging)
- Shelving removable and adjustable on 1" centers

Features	Standard	Options
EXTERIOR COLOR	<input type="checkbox"/> Laminated (non-premium) Confirm pattern/grain direction	<input type="checkbox"/> Laminated (premium) Confirm pattern/grain direction <input type="checkbox"/> Stainless steel (includes rear of case)
INTERIOR COLOR	<input type="checkbox"/> Black	<input type="checkbox"/> Stainless steel <input type="checkbox"/> White
REAR EXTERIOR COLOR	<input type="checkbox"/> Painted - White	<input type="checkbox"/> Painted - Black <input type="checkbox"/> Stainless steel (w/stainless ext. only)
TRIM COLOR	<input type="checkbox"/> Black	<input type="checkbox"/> Silver
BASE	<input type="checkbox"/> Levelers	<input type="checkbox"/> 6"H legs <input type="checkbox"/> Casters (n/a with remote)
END PANEL LEFT	<input type="checkbox"/> Full end panel w/mirror interior	<input type="checkbox"/> Cutaway with glass - cases cannot be joined w/o end panels
END PANEL RIGHT	<input type="checkbox"/> Full end panel w/mirror interior	<input type="checkbox"/> Cutaway with glass - cases cannot be joined w/o end panels
UPPER REAR	<input type="checkbox"/> Clear glass rear sliding doors w/o lock (26" model swinging) (specify LH or RH hinge)	<input type="checkbox"/> Reflective glass rear sliding doors w/o lock (26" model swinging) (specify LH or RH hinge)
ELECTRICAL CONNECT	<input type="checkbox"/> 6' straight blade power cord (self-cont.)	<input type="checkbox"/> 6' locking power cord (self-cont.) <input type="checkbox"/> Electrical leads (remote)
REFRIGERATION	<input type="checkbox"/> Breeze™ w/EnergyWise s/c refrigeration	<input type="checkbox"/> Note: Remote doesn't incl Conds unit. Floor drain reqd. <input type="checkbox"/> Remote w/thermostat, solenoid & TXV
MISCELLANEOUS		<input type="checkbox"/> Front glass lock <input type="checkbox"/> Rear door lock <input type="checkbox"/> Second year parts & labor warranty (excludes compressor)
ACCESSORIES		<input type="checkbox"/> Clean Sweep® coil cleaner (n/a w/remote) <input type="checkbox"/> Price tag molding (matches interior color)

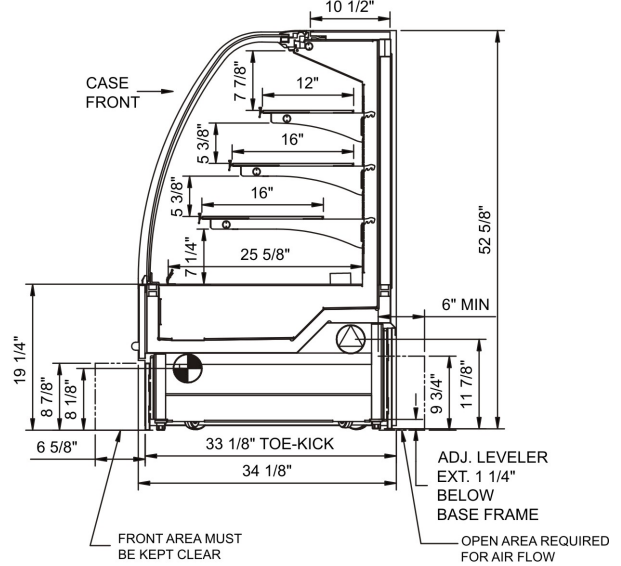
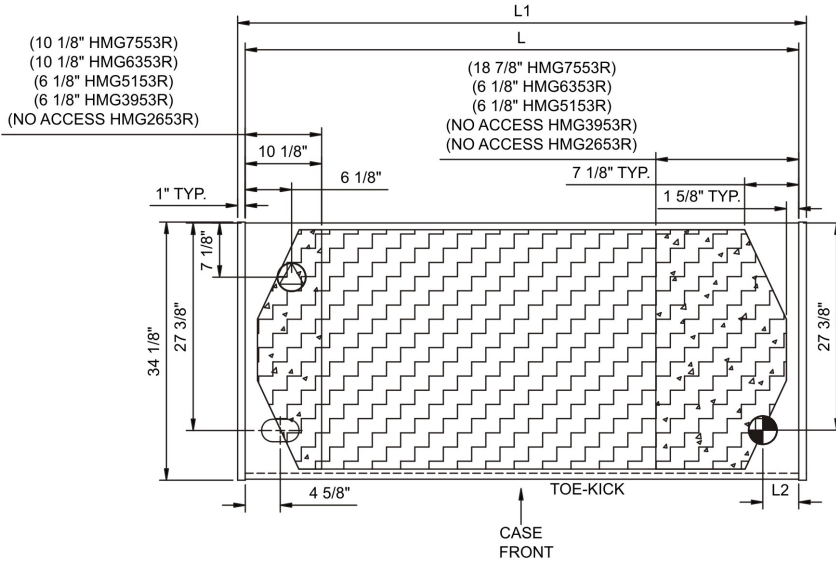
Harmony

Product Specifications

Intended Environment: Type I - Designed to operate in ambient conditions of 75°F with 55% relative humidity unless noted otherwise in system information below.		
Zone	Intended Product To Be Displayed	Warmest Avg Prod Temp ° F
All	Unpackaged refrigerated products	40

PLAN VIEW

SIDE VIEW



NOTE: ALL DIMENSIONS APPROXIMATE

- ELECTRICAL JUNCTION BOX (SUPPLIED WITH 6" LEADS OR POWER CORD).
- LOCATION OF DRAIN TUBE FOR REMOTE REF. ONLY (SUPPLIED WITH 3/4" OR 1 1/2" PVC TUBE).

- REFRIGERATION LINE CONNECTION.
- REMOTE FLOOR SINK & UTILITIES ACCESS AREA.

- SELF-CONTAINED CASE SERVICE ACCESS AREA.
- DRY CASE SERVICE ACCESS AREA.

Model Technical Specifications															
Model	L"	L1"	L2"	System Circuit Volts			Phs	Freq	Amps ***	Watts	Wires	NEMA Plug	SST	BTUH	Est Wt
HMG2653R	N/A	26.75	4.75	Remote(Type I)	Circuit #1	110-120	1	60	1.48	157	2+G	Leads Multiple	20.00	1760	650
				Self-Contained	Circuit #1	110-120	1	60	11.34	1,118	2+G	5-15P or L5-15P	N/A	N/A	
HMG3953R	N/A	38.75	4.75	Remote(Type I)	Circuit #1	110-120	1	60	1.35	141	2+G	Leads Multiple	20.00	2075	900
				Self-Contained	Circuit #1	110-120	1	60	11.31	1,117	2+G	5-15P or L5-15P	N/A	N/A	
HMG5153R	N/A	50.75	4.75	Remote(Type I)	Circuit #1	110-120	1	60	2.31	236	2+G	Leads Multiple	20.00	2250	1,000
				Self-Contained	Circuit #1	110-120	1	60	12.00	1,297	2+G	5-15P or L5-15P	N/A	N/A	
HMG6353R	N/A	62.63	4.75	Remote(Type I)	Circuit #1	110-120	1	60	2.69	248	2+G	Leads Multiple	20.00	2650	1,100
				Self-Contained	Circuit #1	110-120	1	60	15.71	1,477	2+G	5-20P or L5-20P	N/A	N/A	
HMG7553R	N/A	75.13	4.75	Remote(Type I)	Circuit #1	110-120	1	60	2.72	286	2+G	Leads Multiple	20.00	3300	1,400
				Self-Contained	Circuit #1	110-120	1	60	16.00	1,641	2+G	5-20P or L5-20P	N/A	N/A	

*** Does not include electric defrost on freezer models.

Important Notes:

- 1) ELECTRICAL NOTE: If GFCI is required, a GFCI breaker MUST be used in lieu of a GFCI receptacle
- 2) 35" minimum door entry clearance required (without shipping skid).
- 3) Units are supplied with levelers. They must be adjusted during installation to ensure the unit is level and plumb. Dimensions reflect levelers extended 1 1/4".

Regulatory Approvals:

All Models	Accordance with AHRI Std 1200 ETL Listed to UL 471 ETL Listed to CAN/CSA 22.2 No. 120 ETL Sanitation to NSF 7
------------	------------------------------------------------------------------------------------------------------------------------



In Accordance with
AHRI Std 1200

DOE 2017
Energy Efficiency
Compliant