



Your Solutions Partner

Specifications

F.O.B Sedalia, Missouri 65301



HB3CM-N7

OPTIONS:

- 10" deep liner in lieu of 8" deep
- Internal locking device
- False bottom - FB- _____
- 220v - 50 Hz compressor
- Condensate evaporator
- 1-color laminate on body/second color laminate on tray slide-
- Laminate finish other than standard eight (8) finishes -
- Kickplates (stainless) (painted) (laminate to match body)
- End shelf
- Trayslides
- Foodshields
- Bread and cheese board
- Legs in lieu of casters
- Carving board/shelves

AGENCY LISTING:



DUKE MANUFACTURING CO.
2305 N. Broadway
St. Louis, MO 63102

800.735.3853 Toll Free
314.231.5074 Fax
www.dukemfg.com

Approval Stamp(s):

PRODUCT INFORMATION:

PROJECT: _____

ITEM: _____

QUANTITY: _____

MODEL:

Heritage® Buffet - Cold Pan Units
Mechanically Cooled - 8" Deep
Meets NSF Standard 7

- HB3CM-N7 46" length unit
- HB4CM-N7 60" length unit
- HB5CM-N7 74" length unit

TOP:

- 16 gauge, 300 Series stainless steel
- Flanged down 2" on all four sides
- Formed down into one heavy gauge stainless steel cold pan

BODY:

- Heavy gauge paint grip steel
- Laminate patters:
- Stainless steel trim strips on corners
- Flanged and channeled edges for strength
- Welded together with reinforcements
- Stainless steel removable grille
- Mounted on NSF listed 5" diameter swivel casters, two with locks, all non-marking polyurethane tires
- 6' electric cord and plug

MECHANICALLY COOLED PAN SECTION

- 18 gauge, 300 Series stainless steel liner, 5" deep
- 1" cast brass drain and plug
- Insulated on all four sides and bottom
- Refrigerated coils, controls and compressor compartment - R134A
- Removable stainless brackets and adapter bars to hold food pans 3" below counter top

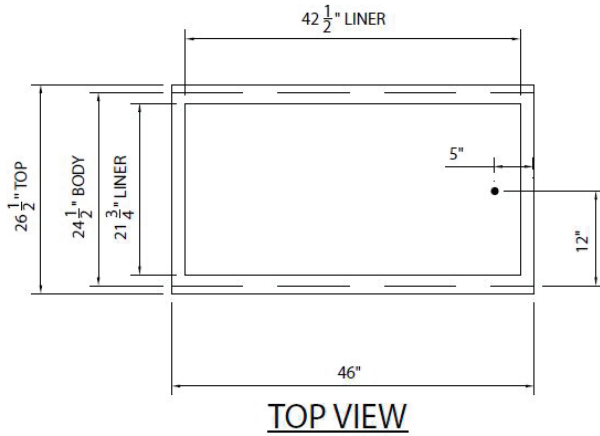
HERITAGE® BUFFET - COLD FOOD - MECHANICALLY COOLED - 8" DEEP - N7

Catalog No. HBU-MECH8N7

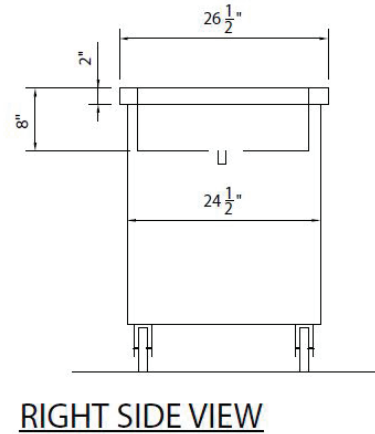
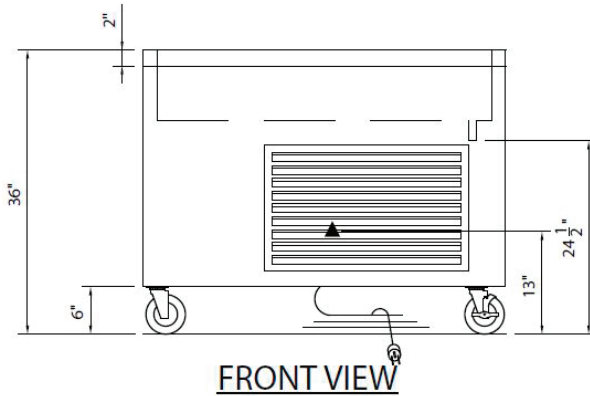
A.I.A. File No. 35-C-13

HERITAGE®

Heritage® Buffet - Cold Pans Mechanically Cooled - 8" Deep Meets NSF Standard 7



LEGEND	
▲	ELECTRICAL CONNECTION
●	DRAIN LOCATION



DIMENSIONS:

8" Deep Mechanically Cooled Cold Pan - All Units 26-1/2" (67.31 cm) Wide & 36" (91.4 cm) Tall

FREIGHT CLASS: 150

Model	Length		Cold Pan Size						Cube ft. crated	Weight	
	in	cm	L		W		D			lbs	kg
			in	cm	in	cm	in	cm			
HB3CM-N7	46	116.8	42-1/2	108.0	21-3/4	55.3	8	20.3	36.0	432	196.4
HB4CM-N7	60	152.4	56-1/2	143.5	21-3/4	55.3	8	20.3	45.7	570	259.1
HB5CM-N7	74	188.0	70-1/2	179.1	21-3/4	55.3	8	20.3	56.8	710	322.7

ELECTRICAL SPECIFICATIONS:

Model	HP	120 volt w/no lights	
		amps	NEMA
HB3CM-N7	1/4	3.9	5-15
HB4CM-N7	1/4	4.8	5-15
NB5CM-N7	1/3	4.8	5-15



DUKE MANUFACTURING CO.

2305 N. Broadway
St. Louis, MO 63102

800.735.3853 Toll Free
314.231.1130 In Missouri
314.231.5074 Fax
www.dukemfg.com

Specification subject to change

Printed in U.S.A
© 2018, Duke Manufacturing Co.