



Your Solutions Partner

Specifications

F.O.B. Sedalia, Missouri 65301



333

OPTIONS:

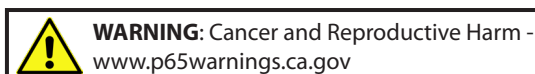
- Hot food style top
- False bottom
- Drop type brackets for cutting board
- Stainless steel feet
- Insets/Inset Covers
- Dish Shelves
- Trayslides & Workshelves
- Foodshields

AGENCY LISTINGS:



DUKE MANUFACTURING CO.
 2305 N. Broadway
 St. Louis, MO 63102
 800.735.3853 Toll Free
 314.231.5074 Fax
 www.dukemfg.com

Specification subject to change



Approval Stamp(s):

PRODUCT INFORMATION:

PROJECT: _____

ITEM: _____

QUANTITY: _____

MODEL:

Aerohot™ Foodservice Cold Pan Units - Ice Cooled

- 332/P332 2 wells
- 333/P333 3 wells
- 334/P334 4 wells
- 325/P325 5 wells

"P" = Portable Unit

TOP:

- 20 gauge, stainless steel
- Poly carving board - 7"W x 1/2" thick with 18 gauge stainless steel support shelf and die-stamped brackets

LINER:

- 18 gauge, 300 Series stainless steel - 5" deep
- Insulated on all four sides and bottom with polyurethane
- 1" cast brass drain and plug

BODY, UNDERSHELF AND LEGS:

- 20 gauge, 430 Series stainless steel body
- 20 gauge, 430 Series stainless steel undershelf
- 430 Series stainless steel tubular legs with adjustable plastic feet

AEROHOT™ FOODSERVICE - COLD PAN UNITS - ICE COOLED

Catalog No. AFS-ICE

A.I.A. File No. 35-C-13

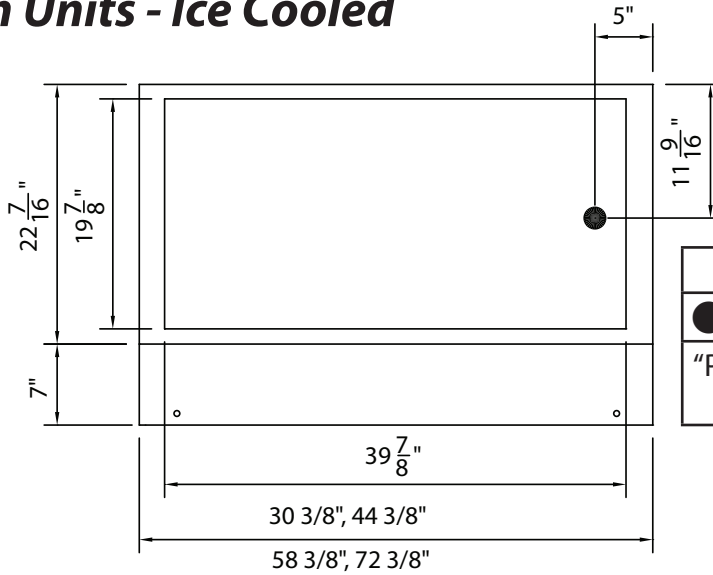
Aerohot®

Cold Pan Units - Ice Cooled

A.I.A. File No. 35-C-13

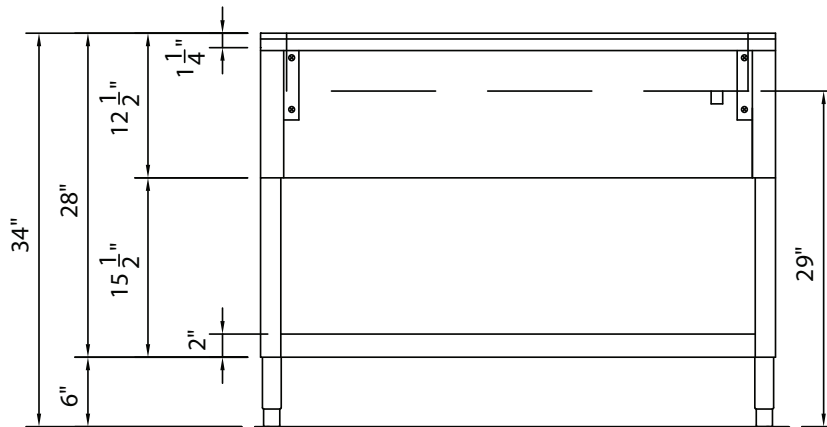
Catalog No. AFS-ICE

AEROHOT™ FOODSERVICE - COLD PAN UNITS - ICE COOLED

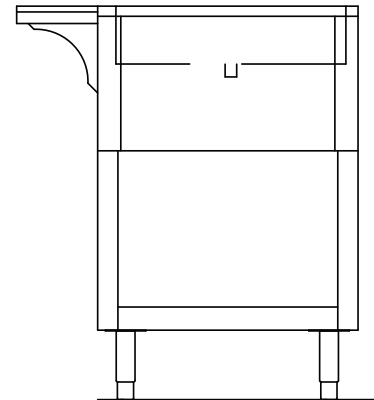


LEGEND	
●	DRAIN LOCATION - 1" cast brass
"P"	= prefix on model number denotes portable unit

TOP VIEW



FRONT VIEW



RIGHT SIDE VIEW

Power Supply: N/A

Dimensions:

Freight Class: 85

Model	Length		Pan Length		Width		Height		Cube ft. Crated	Weight	
	in	cm	in	cm	in	cm	in	cm		lbs	kg
332/P332	30-3/8	77.2	25-7/8	66.72	22-7/16	57.1	34	86.4	23.4	74/80	33.6/36.4
333/P333	44-3/8	112.8	39-7/8	101.28	22-7/16	57.1	34	86.4	32.5	102/108	46.4/49.1
334/P334	58-3/8	148.3	53-7/8	136.84	22-7/16	57.1	34	86.4	41.5	121/130	55.0/59.1
325/P325	72-3/8	183.9	67-7/8	172.40	22-7/16	57.1	34	86.4	50.5	142/161	64.6/73.2



Duke Manufacturing Co.
2305 N. Broadway
St. Louis, MO 63102

Phone: 314-231-1130
Toll Free: 1-800-735-3853
Fax: 314-231-5074

www.dukemfg.com

Printed in U.S.A
© 2019, Duke Manufacturing Co.