



Reach-In Single Zone Refrigerator

TBR32-RI, TBR52-RI, TBR72-RI, TBR92-RI



TBR52-RISZ1-L-B-SS-1



TBR92-RISZ1-L-S-GGGG-1

JOB	
AREA	
ITEM NO.	
MODEL NO.	

TBR32-RI	1-DOOR MODEL
TBR52-RI	2-DOOR MODEL
TBR72-RI	3-DOOR MODEL
TBR92-RI	4-DOOR MODEL



NSF/ANSI standard 7 compliant for the storage and/or display of packaged or bottled product.

MODEL NUMBERS		TBR32-RI	TBR52-RI	TBR72-RI	TBR92-RI
NUMBER OF COMPARTMENTS		1	2	3	4
EXTERIOR CABINET DIMENSIONS	Width - in. (mm)	32 (813)	52 (1321)	72 (1829)	92 (2337)
	†Depth - in. (mm)	24 ⁷ / ₈ (613)	24 ⁷ / ₈ (613)	24 ⁷ / ₈ (613)	24 ⁷ / ₈ (613)
	*Height - in. (mm)	34 ³ / ₄ (881)	34 ³ / ₄ (881)	34 ³ / ₄ (881)	34 ³ / ₄ (881)
INTERIOR CABINET DIMENSIONS	Width - in. (mm)	16 ¹³ / ₃₂ (417)	36 ¹³ / ₃₂ (925)	56 ¹³ / ₃₂ (1433)	76 ¹³ / ₃₂ (1941)
	Depth - in. (mm)	18 ³ / ₄ (417)	18 ³ / ₄ (417)	18 ³ / ₄ (417)	18 ³ / ₄ (417)
	Height - in. (mm)	30 ²⁷ / ₃₂ (783)	30 ²⁷ / ₃₂ (783)	30 ²⁷ / ₃₂ (783)	30 ²⁷ / ₃₂ (783)
INTERNAL VOLUME Net. Cu. Ft. (Litres)		6.03 / 171	13.27 / 376	20.52 / 581	27.76 / 786
PRODUCT CAPACITY	12oz. Cans	38 - 6pks	78 - 6pks	125 - 6pks	182 - 6pks
	12oz. Bottles	21 - 6pks	49 - 6pks	78 - 6pks	108 - 6pks
	Barrels	2 - 1/6	1 - 1/2	3 - 1/2	4 - 1/2
CRATED WEIGHT Lbs. (kg.)		210/96	365/166	TBD/TBD	TBD/TBD
ELECTRICAL SPECIFICATIONS	Electrical Supply	115V/60Hz/1PH	115V/60Hz/1PH	115V/60Hz/1PH	115V/60Hz/1PH
	Running Load Amps	1.8	1.8	3.2	3.2
	Electrical Connection	Cord Connected	Cord Connected	Cord Connected	Cord Connected
	Cord Plug Type	NEMA 5-15	NEMA 5-15	NEMA 5-15	NEMA 5-15
	Cord Length ft. (m)	10' (3.04)	10' (3.04)	10' (3.04)	10' (3.04)
	Defrost Initiation	Automatic	Automatic	Automatic	Automatic
	Defrost Type	Off cycle	Off cycle	Off cycle	Off cycle
	Thermostat	Digital Control	Digital Control	Digital Control	Digital Control
REFRIGERATION SPECIFICATIONS	Lighting Type	LED‡	LED‡	LED‡	LED‡
	Horsepower	1/8	1/8	1/4	1/4
	Refrigerant	R290	R290	R290	R290
	Refrigerant Charge (grams)	85	85	85	85
	Factory Temperature Setting - Refrigerator F (C)	34° (1.1°)	34° (1.1°)	34° (1.1°)	34° (1.1°)
	Temperature Range - Refrigerator F (C)	33° - 38° (0.5° - 3.3°)	33° - 38° (0.5° - 3.3°)	33° - 38° (0.5° - 3.3°)	33° - 38° (0.5° - 3.3°)
	Factory Temperature Setting - White Wine F (C)	45° (7.2°)	45° (7.2°)	45° (7.2°)	45° (7.2°)
	Factory Temperature Setting - Red Wine F (C)	55° (12.8°)	55° (12.8°)	55° (12.8°)	55° (12.8°)
	Temperature Range - Wine F (C)	42° - 65° (5.6° - 18.3°)	42° - 65° (5.6° - 18.3°)	42° - 65° (5.6° - 18.3°)	42° - 65° (5.6° - 18.3°)
	Condensing Unit Location	Left Side	Left Side	Left Side	Left Side
	Expansion Device	Capillary tube	Capillary tube	Capillary tube	Capillary tube
Pull-Out Condensing Unit	Yes	Yes	Yes	Yes	
Front Vented	Yes	Yes	Yes	Yes	
PLUMBING		Automatically	Automatically	Automatically	Automatically

‡ Optional TruLumina® Lighting available. Upcharge applies.

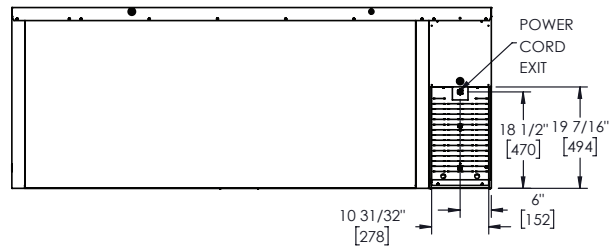
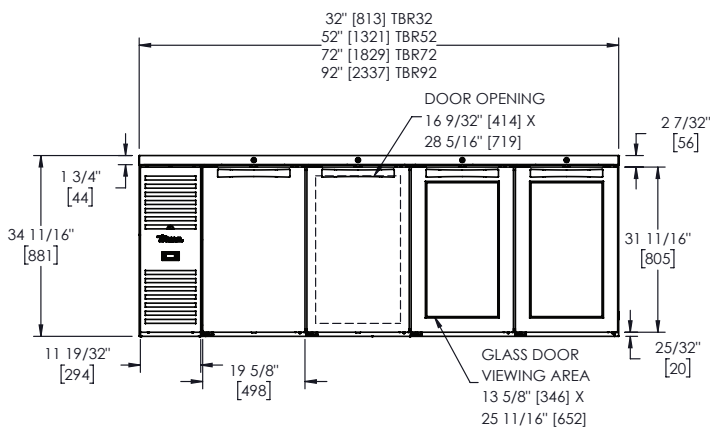
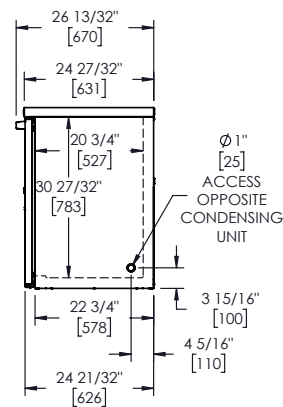
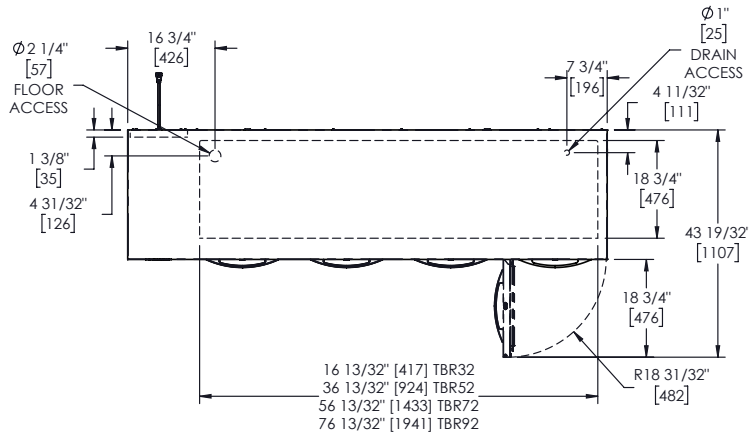
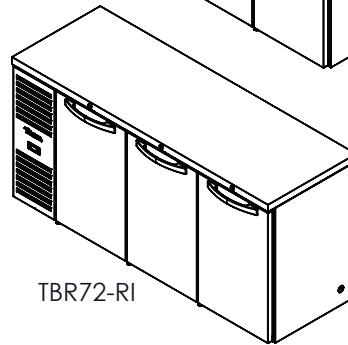
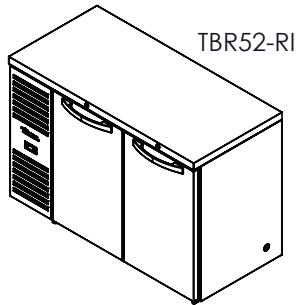
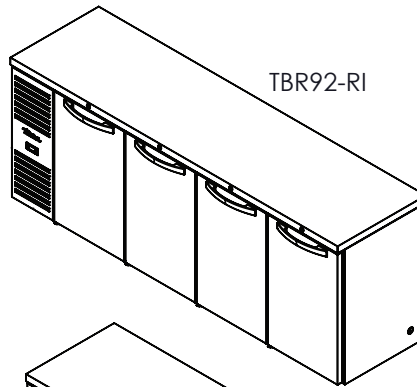
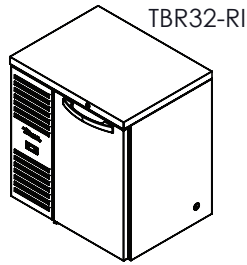
† Depth does not include 1 1/2" (35 mm) for door handles. * Height does not include 1/4" (7 mm) for leg levelers.

TRUE MANUFACTURING CO., INC. - U.S.A. FOODSERVICE DIVISION

2001 East Terra Lane • O'Fallon, Missouri 63366-4434 • (636)240-2400 • Fax (636)272-2408 • Toll Free (800)325-6152
 Intl Fax# (001)636-272-7546 • Parts Dept. (800)424-TRUE • Parts Dept. Fax# (636)272-9471 • www.truemfg.com



Reach-In Single Zone Refrigerator
TBR32-RI, TBR52-RI, TBR72-RI, TBR92-RI



California Prop 65 Notice:

WARNING: The materials used in this product may contain chemicals known to the State of California to cause cancer and birth defects or other reproductive harm. For more information go to www.P65Warnings.ca.gov.

TRUE MANUFACTURING CO., INC. - U.S.A. FOODSERVICE DIVISION

2001 East Terra Lane • O'Fallon, Missouri 63366-4434 • (636)240-2400 • Fax (636)272-2408 • Toll Free (800)325-6152
Intl Fax# (001)636-272-7546 • Parts Dept. (800)424-TRUE • Parts Dept. Fax# (636)272-9471 • www.truemfg.com