



KM-1601MRH(3)

MODULAR CRESCENT CUBER



KM-1601MRH(3)
01/21/18
Item # 13174

Item #: _____
Project: _____
Qty: _____
AIA#: _____

W x D x H
30" x 27^{3/8}" x 41^{5/8}"


Shipping Dimensions
51^{3/4}" x 33" x 48"



KM-1601MRH
Remote Air-Cooled 1 Phase

KM-1601MRH3
Remote Air-Cooled 3 Phase
Shown on optional bin: B-900



Features

- ▶ Individual crescent cube
- ▶ Stainless steel evaporator
- ▶ CycleSaver™ design 

- Up to 1493 lbs. of ice production per 24 hours
- Durable stainless steel exterior
- Protected by H-Guard Plus Antimicrobial Agent 
- EverCheck™ alert system 
- R-404A Refrigerant

Available on Bins:

B-250PF B-700PF/SF B-900PF/SF B-1300SS B-1650SS*

B-500PF/SF B-800PF/SF B-1150SS B-1500SS*

*Top kit may be required. See Bin Spec Sheets. *Two unit application only.*

Warranty:

3 Year Parts & Labor on entire machine. 5 Year Parts & Labor on Evaporator. 5 Year Parts on Compressor; air-cooled condenser coil. Valid in United States, Canada, Puerto Rico and U.S. Territories. Contact factory for warranty in other countries.

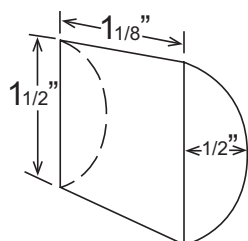


Condenser	Model	ICE PRODUCTION		WATER USAGE			ELECTRICAL*							
		Air / Water Temp Lbs. per 24 hours 70° / 50°F	90° / 70°F	Potable Gal. per 100 lbs. 90° / 70°F	Condenser Gal. per 100 lbs. 90° / 70°F	kWh Used per 100 lbs. 90° / 70°F	Max. Fuse Sz or HACR Circuit Bkr	Amperage	Voltage	Circuit Wires (including ground)	Heat Rejection BTU/hr.	Refrigerant Charge Amount	Net / Ship Weight (lbs.)	
3 Phase	1 Phase Remote	KM-1601MRH	1493	1417	18.6	N/A	4.64	20A	15.4A	208-230V/60/1	4	27,400	14 lbs. 8.8 oz. 24 lbs. 4.0 oz.†	259 / 316
	3 Phase Remote	KM-1601MRH3	1486	1391	19.2	N/A	4.55	20A	12.2A	208-230V/60/3	4	24,300	14 lbs. 8.8 oz. 22 lbs. 4.3 oz.†	259 / 316

*If neutral is not available, transformer kit (HS-5030) is required. Refer to instruction manual for installation and electrical requirements.

†(with condenser)

KM Cube Dimensions*



* approximate size in inches, image not to scale

Operating Limits

- Ambient Temp Range 45 - 100°F
- Water Temp Range 45 - 90°F
- Water Pressure 10 - 113 PSIG
- Voltage Range 187 - 253V

Service

- Panels easily removed and all components accessible for service.
- Allow 6" (15 cm) clearance at rear, sides, and top for proper air circulation and ease of maintenance/service.

Plumbing

- Icemaker Water Supply Line: Min. 3/8" Nominal ID Copper Water Tubing or Equivalent
- Icemaker Drain Line: Min. 3/4" Nominal ID Hard Pipe or Equivalent

Water Filter

Please refer to water filter spec sheet for recommended configurations.

Hoshizaki reserves the right to change specifications without notice.



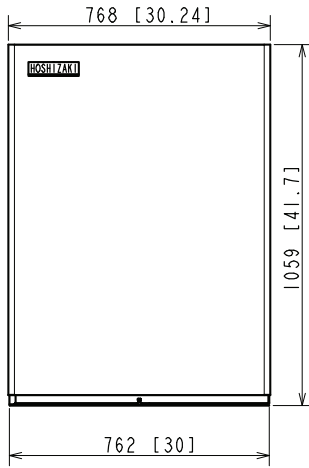
KM-1601MRH(3)

MODULAR CRESCENT CUBER

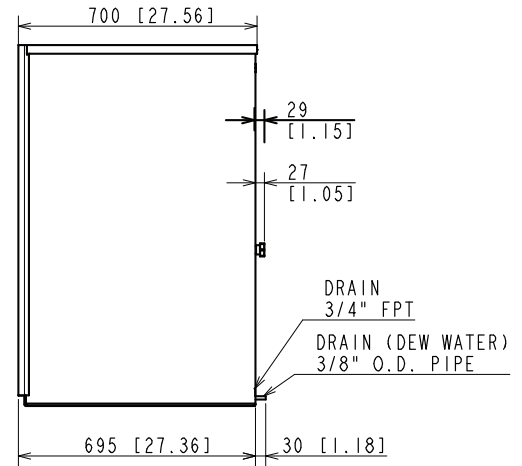


KM-1601MRH(3)
01/21/18
Item # 13174

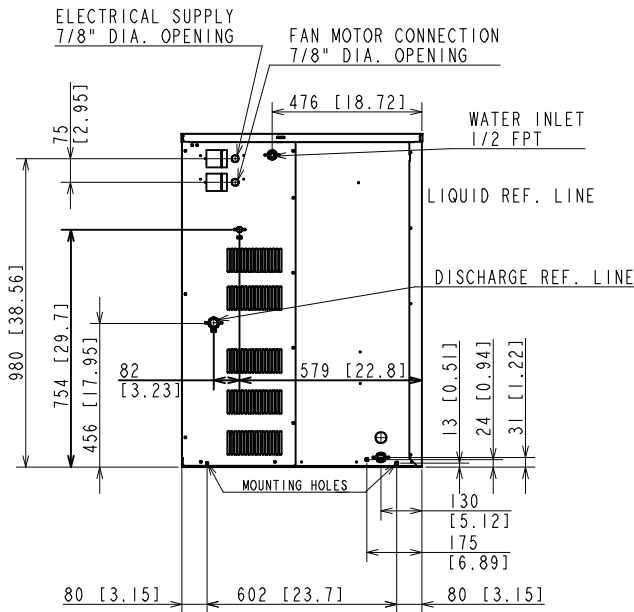
FRONT VIEW



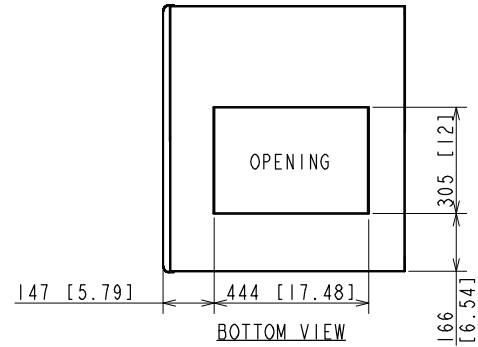
SIDE VIEW



REAR VIEW

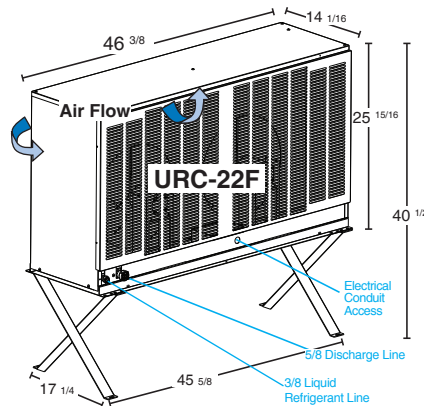


BOTTOM VIEW



URC-22F Remote Condenser (Sold Separately)

(W x D x H) 46^{3/8} X 14^{1/16} X 40^{1/2}
For Use with KM-1601MRH(3)



Pre-Charged Tubing Kits (Sold Separately)

- 20' R404-20610
- 35' R404-35610
- 55' R404-55610



Voltage supply for the URC Remote Condenser is supplied from the Ice Maker. No additional circuit is required.