

# Dish out the goodness.

## Fountain Jar Topping Stations



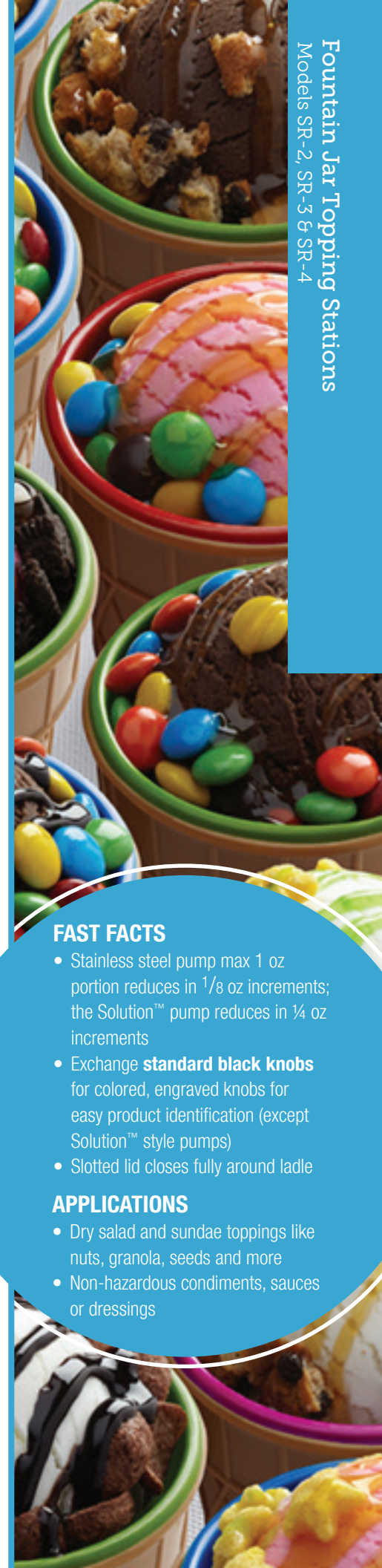
Hold multiple fountain jars in one compact countertop station with pumps or ladles

Manage food costs and flavor with precise portion-control

Brushed stainless steel finish helps reduce the visibility of fingerprints

Stainless steel pumps are clean-in-place certified; Solution™ pump parts are dishwasher safe

Solution™ pumps include (3) discharge fittings to accommodate thin, thick and thicker food products



### STAINLESS STEEL PUMP STATIONS

(details on p 2)



SR-2 82910

SR-3 82870

SR-4 82830

### SOLUTION™ PUMP STATIONS

(details on p 3)



SR-2 79850

SR-3 79860

SR-4 79870

### LID AND LADLE STATIONS

(details on p 4)



SR-2 80570

SR-3 80560

SR-4 80550

### FAST FACTS

- Stainless steel pump max 1 oz portion reduces in 1/8 oz increments; the Solution™ pump reduces in 1/4 oz increments
- Exchange **standard black knobs** for colored, engraved knobs for easy product identification (except Solution™ style pumps)
- Slotted lid closes fully around ladle

### APPLICATIONS

- Dry salad and sundae toppings like nuts, granola, seeds and more
- Non-hazardous condiments, sauces or dressings

# Deliver consistently.

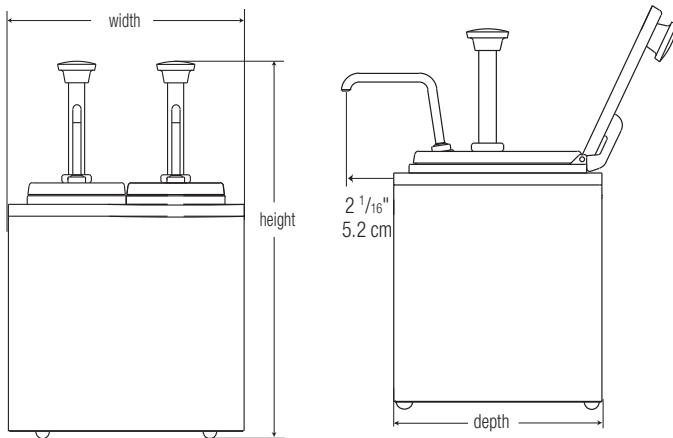
## Non-Insulated Stainless Steel Pump Stations

Models SR-2, SR-3 & SR-4

DISPENSES	<b>THIN</b> fountain syrups • oils • hot sauce
	<b>THICK</b> ketchup • mustard • mayonnaise • bbq
	<b>THICKER</b> tartar sauce • crafted sauces
APP	<b>AMBIENT</b>
	<b>COLD</b>
	<b>HOT</b>

### SPECIFIER STATEMENT

**82910 | 82870 | 82830:** Server Products non-insulated countertop stations are constructed of a stainless steel base with a brushed finish. Each combo comes complete with white, deep plastic fountain jars (82557) and stainless steel FP-V style fountain pumps (82120). 1 ¼ oz (37 mL) max stroke reduces in 1/8 oz (3.7 mL) increments. Black knobs are standard. NSF listed. BPA Free. Two-year warranty. Ships FOB Richfield, WI 53076.



order quantity	dispenses	model/item	application	description	capacity	dims (H x W x D)	weight
<input type="checkbox"/>		SR-2 82910		2-jar base, 2 stainless steel pumps	(2) 3.5 qt fountain jars	16 1/16" x 10 7/8" x 8 13/16" 40.8 x 27.6 x 22.4 cm	13 lb 6 kg
<input type="checkbox"/>		SR-3 82870		3-jar base, 3 stainless steel pumps	(3) 3.5 qt fountain jars	16 1/16" x 15 1/2" x 8 13/16" 40.8 x 39.4 x 22.4 cm	18 lb 8.2 kg
<input type="checkbox"/>		SR-4 82830		4-jar base, 4 stainless steel pumps	(4) 3.5 qt fountain jars	16 1/16" x 20 1/8" x 8 13/16" 40.8 x 51.1 x 22.4 cm	22 lb 10 kg

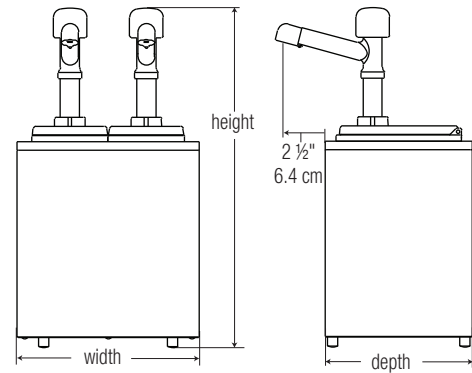
DISPENSES		<b>THIN</b> fountain syrups • oils • hot sauce
		<b>THICK</b> ketchup • mustard • mayonnaise • bbq
		<b>THICKER</b> tartar sauce • crafted sauces
APP		AMBIENT
		COLD
		HOT

# Top responsibly.

## Non-Insulated Solution™ Pump Stations Models SR-2, SR-3 & SR-4

### SPECIFIER STATEMENT

**79850 | 79860 | 79870:** Server Products non-insulated countertop stations are constructed of a stainless steel base with a brushed finish. Each combo comes complete with white, deep plastic fountain jars (82557) and polycarbonate PS-F pumps (81910). Pump parts are dishwasher safe and replaceable. Includes three interchangeable discharge fittings to dispense thin, thick and thicker ingredients. 1 oz (30 mL) max stroke reduces in ¼ oz (7 mL) increments. NSF listed. Two-year warranty. Ships FOB Richfield, WI 53076.



order quantity	dispenses	model/item	application	description	capacity	dims (H x W x D)	weight
<input type="checkbox"/>		SR-2 79850		2-jar base, 2 Solution™ pumps	(2) 3.5 qt fountain jars	17 15/16" x 10 7/8" x 8 13/16" 45.6 x 27.6 x 22.4 cm	12 lb 5.4 kg
<input type="checkbox"/>		SR-3 79860		3-jar base, 3 Solution™ pumps	(3) 3.5 qt fountain jars	17 15/16" x 15 1/2" x 8 13/16" 45.6 x 39.4 x 22.4 cm	16 lb 7.3 kg
<input type="checkbox"/>		SR-4 79870		4-jar base, 4 Solution™ pumps	(4) 3.5 qt fountain jars	17 15/16" x 20 1/8" x 8 13/16" 45.6 x 51.1 x 22.4 cm	20 lb 9.1 kg

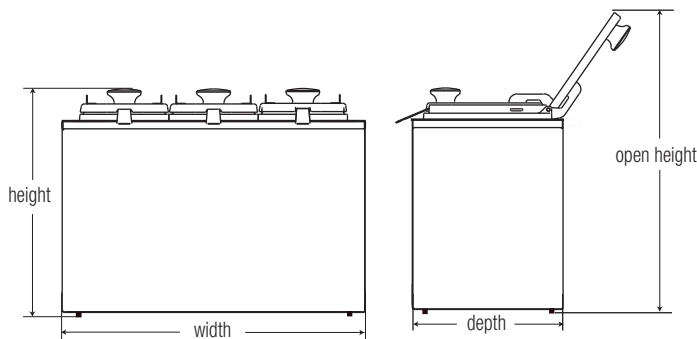
# Dish more delicious.

## Non-Insulated Ladle Stations

Models SR-2, SR-3 & SR-4

### SPECIFIER STATEMENT

**80570 | 80560 | 80550:** Server Products non-insulated countertop stations are constructed of a stainless steel base with a brushed finish. Each combo includes shallow, white plastic fountain jars (82558), stainless steel hinged lids (82545), and 1 oz (30 mL) ladles (82562). Black knobs are standard. NSF listed. BPA Free. Two-year warranty. Ships FOB Richfield, WI 53076.



order quantity	model/item	application	description	capacity	dims (H x W x D)	open height	weight
<input type="checkbox"/>	SR-2 80570		2-jar rail with ladles	(2) 2 qt fountain jars	14 1/4" x 10 7/8" x 8 13/16" 36.2 x 27.6 x 22.4 cm	19" 48.3 cm	8 lb 3.6 kg
<input type="checkbox"/>	SR-3 80560		3-jar rail with ladles	(3) 2 qt fountain jars	14 1/4" x 15 1/2" x 8 13/16" 36.2 x 39.4 x 22.4 cm	19" 48.3 cm	11 lb 5 kg
<input type="checkbox"/>	SR-4 80550		4-jar rail with ladles	(4) 2 qt fountain jars	14 1/4" x 20 1/8" x 8 13/16" 36.2 x 51.1 x 22.4 cm	19" 48.3 cm	13 lb 5.9 kg

### RELATED ITEMS

#### Colored Fountain Jars

Choose black or orange jars rather than white; use orange jars to call out common food allergens like nuts.

item	description	capacity	jar color
83147	standard, shallow fountain jar	2 qt 1.9 L	
83148			



#### Colored, engraved knobs

Interchangeable engraved and colored knobs help staff and patrons identify contents, coordinate with store themes or promote branded products. Specify color and text at time of order. Exact shade may vary from picture. Black knobs are standard.

