



Your Solutions Partner

# Specifications

F.O.B. Sedalia, Missouri 65301



309

### OPTIONS:

- Drop type brackets for cutting board
- Stainless steel feet
- Dish shelf
- Trayslides and Workshelves
- Foodshields

### AGENCY LISTINGS:



DUKE MANUFACTURING CO.  
 2305 N. Broadway  
 St. Louis, MO 63102  
 800.735.3853 Toll Free  
 314.231.5074 Fax  
 www.dukemfg.com

SS-1116 Aerohot - Solid Top

### Approval Stamp(s):

### PRODUCT INFORMATION:

PROJECT: \_\_\_\_\_

ITEM: \_\_\_\_\_

QUANTITY: \_\_\_\_\_

MODEL:

### Aerohot™ Steamtables

#### Solid Top Units

- 309/P309      44-3/8" length unit
- 310/P310      58-3/8" length unit
- 311/P311      72-3/8" length unit

"P" = portable unit

#### TOP:

- 20 gauge, stainless steel
- Reinforced with angled cross members
- Poly carving board - 7"W x 1/2" thick with 18 gauge stainless steel support base and die-stamped brackets

#### BODY, UNDERSHELF AND LEGS:

- 20 gauge, 430 Series stainless steel body
- 20 gauge, 430 Series stainless steel undershelf
- 430 Series stainless steel tubular legs with adjustable plastic feet

Specification subject to change



AEROHOT™ STEAMTABLES - SOLID TOP UNITS

Catalog No. AFS-SOLID

A.I.A. File No. 35-C-13

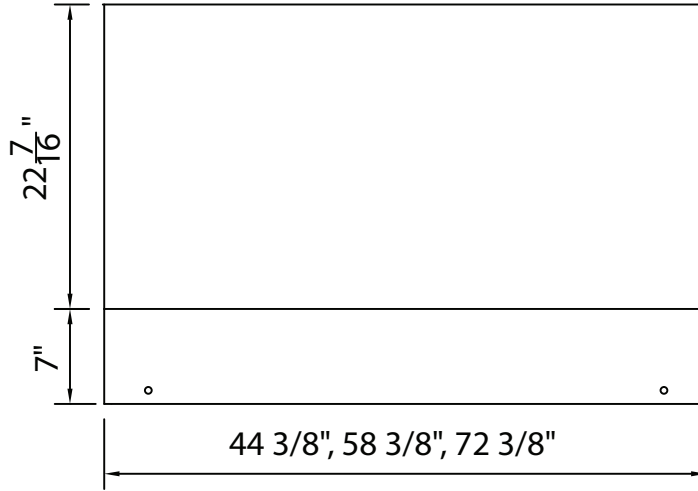
REV B 10/16/2019

# Aerohot

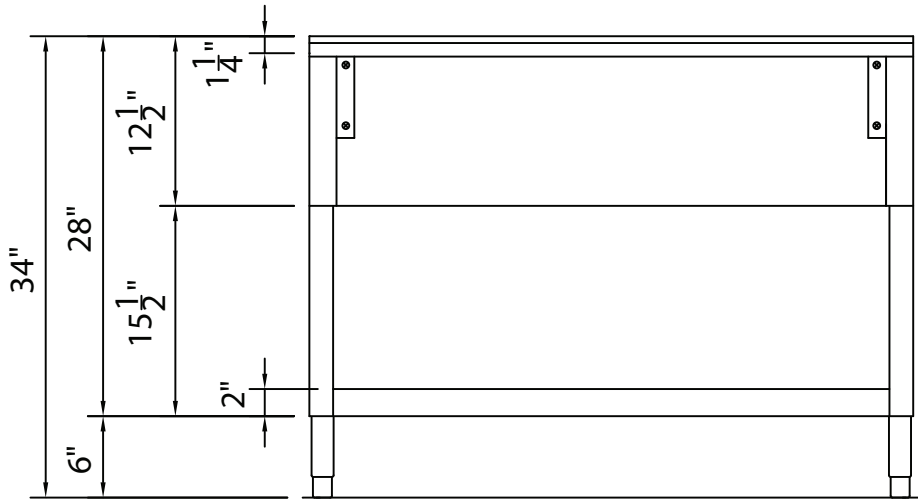
## Solid Top Units

A.I.A. File No. 35-C-13

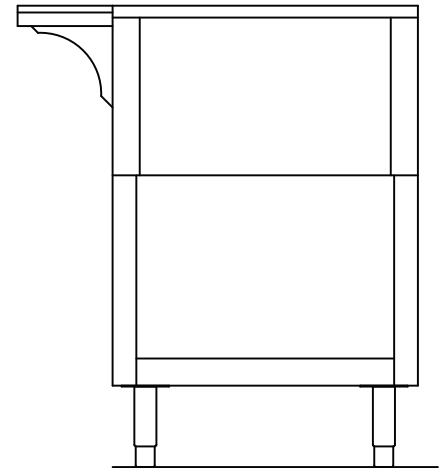
Catalog No. AFS-SOLID



TOP VIEW



FRONT VIEW



RIGHT SIDE VIEW

Power Supply: N/A

DIMENSIONS:

FREIGHT CLASS: 85

Model	Length		Width		Height		Cube ft. Crated	Weight	
	in	cm	in	cm	in	cm		lbs	kg
309/P309	44-3/8	112.8	22-7/16	57.1	34	86.4	32.5	105/107	47.7/48.6
310/P310	58-3/8	148.3	22-7/16	57.1	34	86.4	41.5	127/129	57.7/58.6
311/P311	72-3/8	183.9	22-7/16	57.1	34	86.4	50.5	158/160	71.8/72.7

AEROHOT™ STEAMTABLES - SOLID TOP UNITS



**Duke Manufacturing Co.**  
2305 N. Broadway  
St. Louis, MO 63102

Phone: 314-231-1130  
Toll Free: 1-800-735-3853  
Fax: 314-231-5074

[www.dukemfg.com](http://www.dukemfg.com)

Printed in U.S.A  
© 2019, Duke Manufacturing Co.