

# SOMERSET®

Tel: 978.667.3355

800.772.4404

Fax: 978.671.9466

Email: somerset@smrset.com

[www.smrset.com](http://www.smrset.com)



## SDP-750

## DOUGH PRESS

### IDEAL FOR:

- Pizza
- Gluten-free products
- Tortillas
- Chapati
- Navaho Bread
- Pita Bread
- Parathas
- Roti
- Lavash
- Flat Bread

### HIGHLIGHTS:

- Accurate, consistent, even product, faster than hand tossed.
- Extra height between plates allows easy operation.
- Over 600 pcs per hour
- Compact tabletop design
- Self-powered mechanism
- Simple temperature controls
- Simple thickness adjustments
- Heavy duty, maintenance-free
- Easy to discharge products
- Heat protection guard
- Non-stick work surfaces
- Assist mechanism reduces force needed to flatten products.



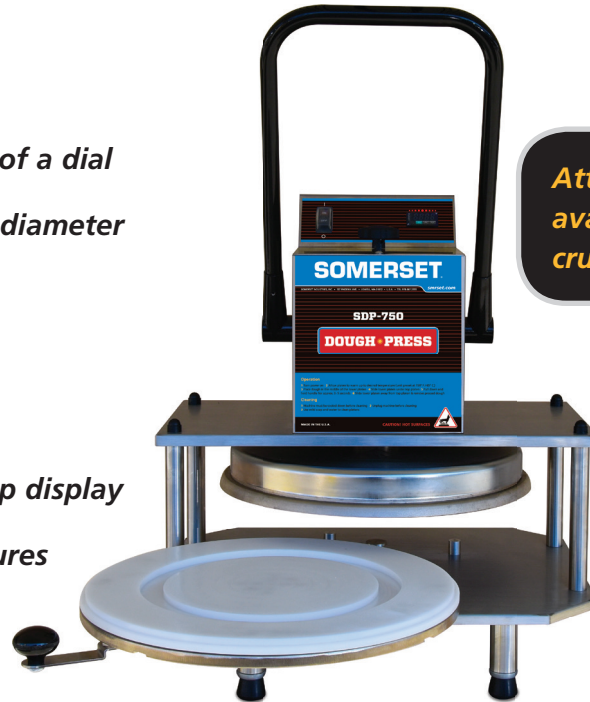
SOMERSET INDUSTRIES, INC • 137 PHOENIX AVE • LOWELL, MA 01852 • U.S.A.

**SDP-750 STANDARD**

**SDP-750 WITH MOLDS**

### FEATURES

- *Reliable, safe operation*
- *Manual with mechanical assist mechanism*
- *Adjustable product thickness with the turn of a dial*
- *Produces various crusts up to 18" (46cm) in diameter*
- *Easy to operate / Easy to clean*
- *Compact / Simple table top design*
- *Safe; top-heated platen*
- *Fully adjustable heat controls with LED temp display*
- *Heavy duty stainless steel construction ensures long and trouble free operation*



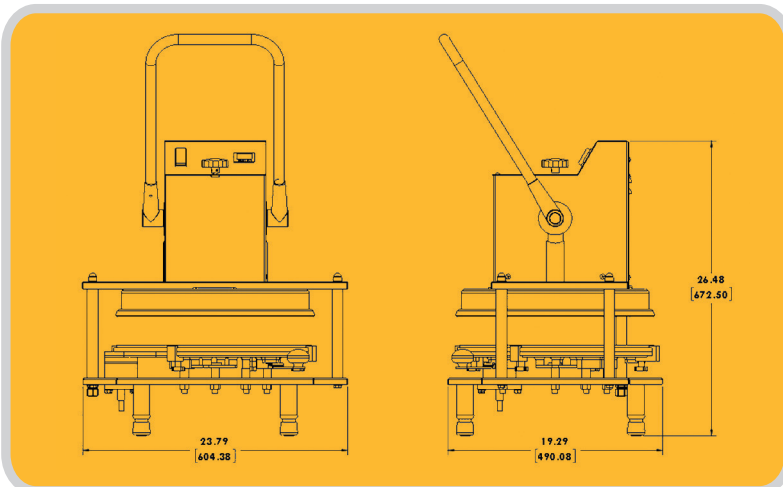
*Attachable molds available for various crust shapes and sizes.*

### INDUSTRY USES

- *Pizzerias*
- *Restaurants*
- *Institutions*
- *Schools*
- *Mexican establishments*
- *Other ethnic food production*
- *Cafes*
- *Bakeries*

### SPECIFICATIONS

*(Specifications subject to change without notice)*



**Electrical Data:** Single Phase, 120V/60Hz or 220V/50Hz, 1600 Watts  
**Temperature Range:** 0 - 350° F (0 - 177° C)  
**Construction:** All Stainless Steel  
**Shipping Weight:** 225 lbs. (102.3 kgs)

