

SOMERSET

Tel: 978.667.3355

800.772.4404

Fax: 978.671.9466

Email: somerset@smrset.com

www.smrset.com



CDR-250

COMPACT TABLE TOP BREAD MOULDER

IDEAL FOR:

- Breads
- Challah
- Hot Dog Buns
- Specialty Breads
- Dinner Rolls
- Bolillos
- Cuban Bread
- Sub Rolls
- Breadsticks
- Pretzels
- Baguettes

HIGHLIGHTS:

- Makes 30 pcs. per minute, up to 20" (50cm)
- High volume production
- Consistent products every time
- Easily adjusts for a variety of breads
- Ergonomic design makes it easy to operate and clean
- An ideal machine for limited counter space

Interchangeable pressure plate from 6" (15.3cm) to 19" (48.3cm)



FEATURES

- *Synthetic rollers*
- *Safety sensors for automatic shutoff*
- *Compact design, ideal for use in limited space*
- *Sanitary, heavy duty, all stainless steel welded construction*
- *Spring loaded scrapers readily removable for easy cleaning*
- *Simple handle adjustment for uniform products*
- *Maintenance free drive mechanism, isolated from the roller area*
- *Easy to operate, easy to clean*
- *Special pressure plates available to increase machine's versatility*



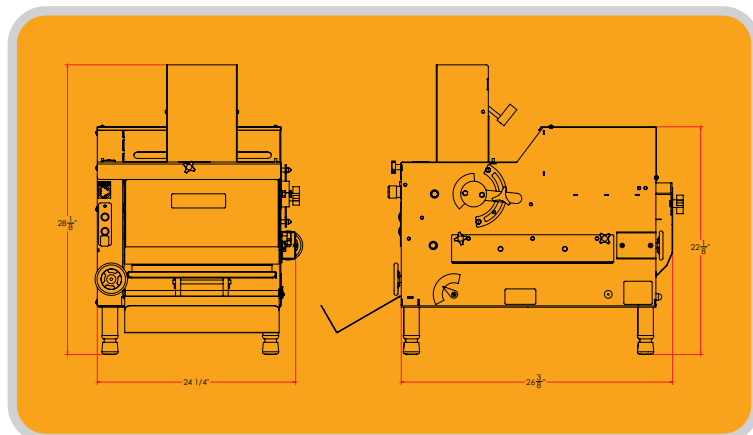
Convenient table on casters available

INDUSTRY USES:

- *Bakeries*
- *Cafes*
- *Restaurants*
- *Supermarkets*
- *Institutions*
- *Delis*
- *Sub Shops*

SPECIFICATIONS PATENT PENDING

(Specifications subject to change without notice)



Rollers: 3.5" (9cm) dia. by 20" (51cm) length

Scrapers: Synthetic, Spring Loaded, Removable

Bearings: Sealed Ball Bearings, Permanently Lubricated

Gear Motor: Heavy Duty 3/4 HP, Single Phase, Maintenance Free, 115v/60Hz or 220v/50Hz

Conveyor Length: 50" (127cm)

Conveyor Width: 19" (48.3cm)

Pressure Plate: 19" x 24" (48.3cm x 61cm)

Finishing: All Stainless Steel

Weight: 220 lbs (100Kgr)

Shipping Weight: 250 lbs (113.4Kgr)