



Steam Table

Stainless Steel Steam Table



Use your smart phone to scan the above QR code to visit our website:
www.bk-resources.com



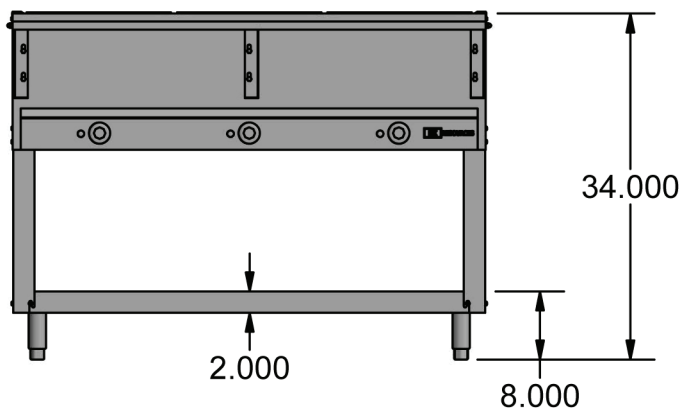
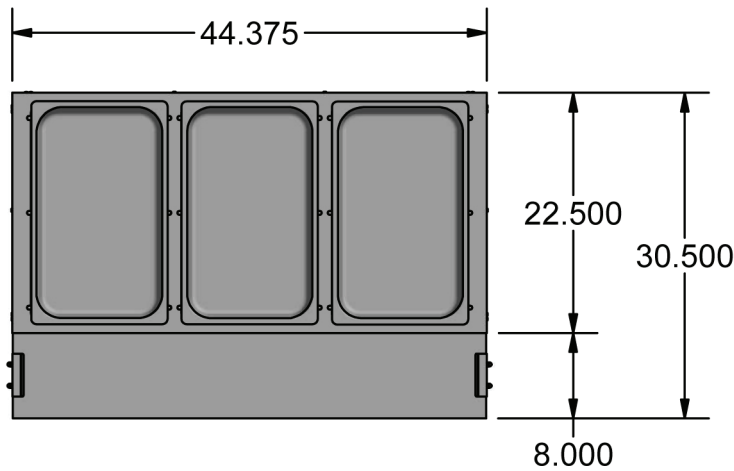
Features:

- 3 Pan Open Well Design
- Cutting Board Shelf
- Undershef to store water pans, lids and utensils when not in use
- Infinite Temperature Control
- 500W Per Well
- 120V

Material:

- 20 Ga. Stainless Steel
- Heat Compartments have galvanized liner and are insulated with 1" thick fiberglass

Model	Unit Size
STE-3-120	30 1/2" x 44 3/8" x 34"



PRODUCT DATA SHEET

BK RESOURCES

