



SD SERIES

MACHINE STANDS



SD Series
12/19/17
Item # 13025

Item #: _____
 Project: _____
 Qty: _____
 AIA#: _____



SD-200 Stand
Shown with a
DM-200B



SD-270 Stand
Shown with a
DCM-270BAH-OS



SD-500 Stand
Shown with a
DCM-500BAH-OS



SD-750 Stand
Shown with a
DCM-751BAH-OS

Features

- ▶ Heavy duty stands for floor model icemakers/dispensers
- ▶ Corrosion resistant stainless steel exterior
- ▶ Easy cleaning with attractive appearance

- Locking doors standard



Warranty:

5 Year Parts & Labor.
Valid in United States, Canada, Puerto Rico and U.S. Territories. Contact factory for warranty in other countries.

Model Number	Use with Cubelet Icemaker/Dispenser	Exterior Dimensions W x D x H*	Shipping Weight
SD-200	DM-200B	30 x 32 x 32 ^{13/16}	125 lbs.
SD-270	DCM-270BAH, DCM270BAH-OS	16 ^{1/2} x 24 x 35 ^{3/16}	95 lbs.
SD-500	DCM-300BAH, DCM-300BAH-OS, DCM-500B_H, DCM-500B_H-OS	25 ^{7/8} x 22 x 32 ^{3/4}	100 lbs.
SD-750	DCM-751B_H, DCM-751B_H-OS	34 x 28 x 32 ^{3/4}	125 lbs.

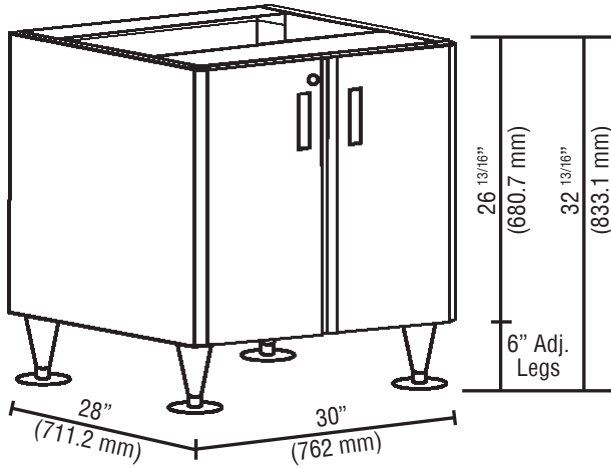


SD SERIES

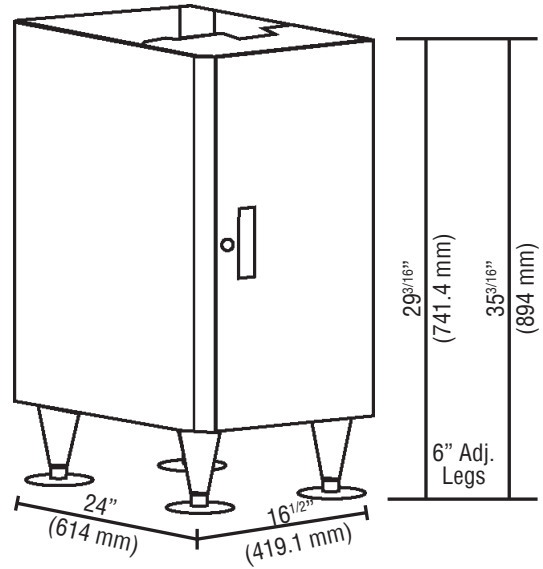
MACHINE STANDS



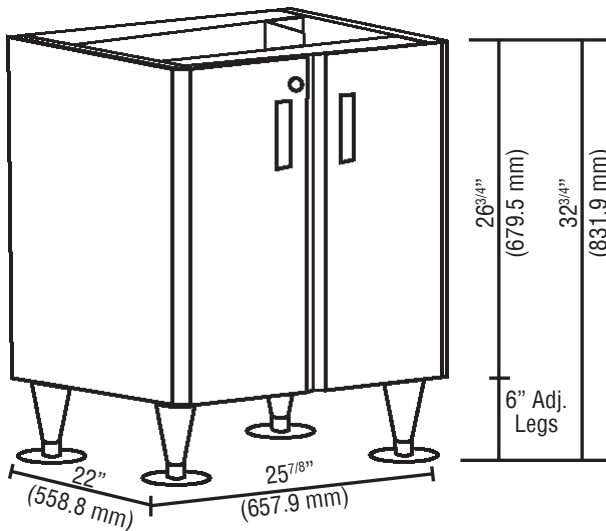
SD Series
12/19/17
Item # 13025



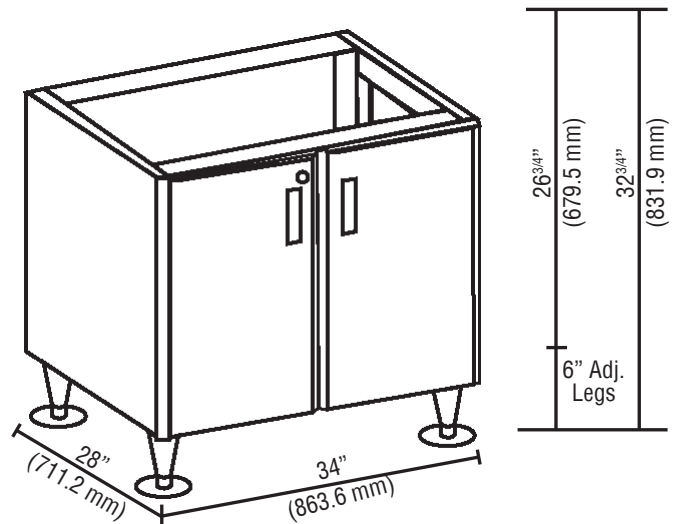
SD-200



SD-270



SD-500



SD-750