



4184 E. Conant st.  
 Long Beach, CA 90808  
 Tel. 800-500-3519  
 Fax. 310-900-1066  
[www.turboairinc.com](http://www.turboairinc.com)

Project :	
Model # :	
Item # :	Qty :
Available W/H :	
Approval :	

# Meat Saw High Quality Stainless Steel Interior and Frame

**Model : GBS-230A**

## ≡ FEATURES & BENEFITS ≡

- **All stainless steel internal parts**  
 All of the internal metal parts including the upper wheel, lower wheel, upper wheel hinge and the lower bearing housing are made with stainless steel.
- **Automatic tension adjusting handle**  
 The automatic tension adjusting handle makes replacement of saw blades easy and maintains even tension.
- **Electrical control system**  
 The magnetic switch system ensures consistent electrical contact which provides safety through dynamic braking and automatic overload protection.
- **Frame materials**  
 All frame and food contact parts are made with aluminum providing improved durability and sanitation.
- **Motor**  
 The motor produces less heat and runs at a lower temperature by using a type "A" grade insulation. The motor also uses a cooling fan to reduce the possibility of overheating and an automatic over temperature shutdown sensor to prevent damage.
- **Protection against water damage**  
 The upper wheel assembly and the lower bearing housing assembly are sealed against water damage allowing faster clean up and protection when cutting wet products.
- **Motor drive**  
 The motor delivers power to the lower wheel through a V-belt drive system resulting in minimal vibration and noise. The motor is designed to maintain a high torque even at normal running speed.
- **Safety**  
 A rolling table and hand guard provide safe and sanitary operation. If the door opens during operation, the installed sensor automatically shuts off the power.
- **Cleaning**  
 Both the upper and lower wheels have cleaning devices insuring improved durability and sanitation. The door is hinged and easily removed for cleaning. The installed scrap box allows quick removal of waste.
- **Thickness adjusting**  
 The scaled shaft of the thickness adjusting plate allows a standardized and consistent product cut.



Model	Motor HP	Length of Saw Blade (inches)	Crated Weight (lbs.)	L x D x H (inches)
GBS-230A	3/4	661/8	196	28 x 197/8 x 371/2

# Meat Saw

High Quality Stainless Steel  
Interior and Frame

## Model : GBS-230A

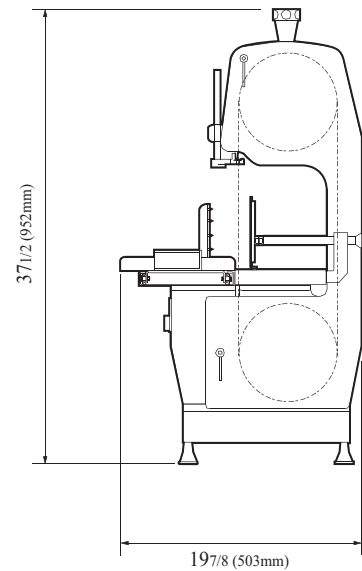
ELECTRICAL DATA	
Motor	3/4 HP
Power Voltage	AC115V • 60Hz • 1Phase
Saw Blade Speed	1,716 ft/min
DIMENSIONAL DATA	
Ext. Length Overall (in.)	28 (711mm)
Ext. Depth Overall (in.)	19 7/8 (503mm)
Ext. Height Overall (in.)	37 1/2 (952mm)
Length of Saw Blade (in.)	66 1/8 (1680mm)
Gross Weight (lbs.)	196
Loading Dimension (L x H) (in.)	7 1/2 x 8 5/8
Work Table (L x D) (in.)	19 3/4 x 19 3/4
Switch	Double Function Push Button
Drive	Non Slip V-Belt A-24

Design and specifications subject to change without notice.  
Actual shipping weight may differ due to extra packing materials for product protection.

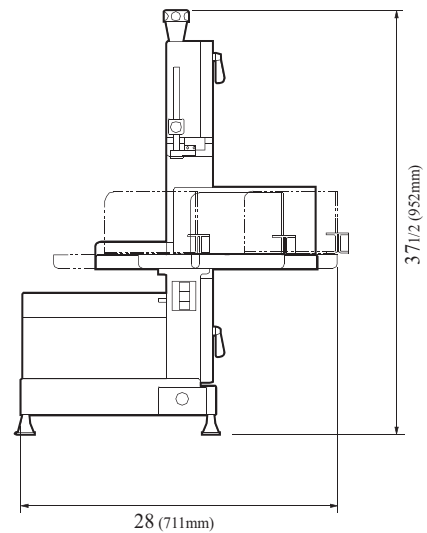
■ **WARRANTY : 2 Year Parts and Labor Warranty**

### PLAN VIEW

(unit : inch)



FRONT VIEW



SIDE VIEW

Ver.201601



- Turbo Air : 800-627-0032
- GK : 800-500-3519
- Warranty : 800-381-7770
- AC : 888-900-1002

REFRIGERATOR MANUFACTURER  
**Turbo air**

GERMAN  
**KNIFE**

RADIANCE

GREEN WORLD

AIR CONDITIONER MANUFACTURER  
**Turbo air**