

REFRIGERATOR MANUFACTURER
Turbo air
 more durable, efficient, beautiful

4184 E. Conant St.
 Long Beach, CA 90808
 Tel. 310-900-1000
 Fax. 310-900-1077
www.turboairinc.com

Project :	
Model # :	
Item # :	Qty :
Available W/H :	
Approval :	

Swing Door Freezers

Glass Door Merchandisers
 Super Deluxe Series

Model : TGF-5SD

FEATURES & BENEFITS

- **Digital temperature control & monitor system**
- **LED lighting interior display system**
 Brighter and longer lasting LED lights provide attractive, enhanced illumination compared to fluorescents. It saves energy by producing less heat, while maximizing the visibility in the display area.
- **Triple pane heated glass doors**
 Equipped with unique triple-pane heated glass doors which enhance energy efficiency by preventing heat transfers and minimizing condensation. Lightweight door construction reduces door maintenance, bushing wear, and facilitates smooth door opening.
- **No electrical frame heater is needed**
 Turbo Air is the first in the industry to replace a frame heater with a method of using compressor-produced heat. This eliminates any unnecessary energy consumption while providing efficient freezing performance.
- **Modern design**
 By harmonizing curvature and rigidness, our modern style product designs are user-friendly while maintaining the highest product visibility and aesthetics.
- **Efficient refrigeration system**
 Turbo Air's freezers are designed with oversized and balanced (CFC Free R-404A) refrigeration systems. These include efficient evaporators and condensers for faster freezing and greater efficiency.
- **High-density polyurethane insulation**
 The entire cabinet structure is foamed-in-place using high density, CFC free polyurethane insulation.
- **Ergonomically designed doors**
 Customers' fatigue fades away with easy grip handles and doors that open effortlessly. These features along with self-closing doors make this the ultimate choice in customer convenience.
- **Magnetic door gaskets**
 Magnetic door gaskets are of one piece construction, removable without tools for ease of cleaning and replacement.
- **Adjustable, heavy duty, PE(polyethylene) coated wire shelves**
- **Freezer holds -10°F ~ 5°F for the best in frozen food preservation**



Model	Swing Door	CU./FT.	#of Shelves	HP	AMPS	Crated Weight (lbs.)	L x D* x H† (inches)
TGF-5SD	1	4.45	2	1/3	5.5	195	25 x 23 1/4 x 30 1/2

Ver.201701

* Depth does not include 2-3/8" for rear mechanical component and additional 1-5/8" for a power cord bushing & radius of curvature.
 † Depth does not include 2-1/4" (57mm) for door handle. † Height does not include 2-1/4" (56mm) for leg height.

Swing Door Freezers

Glass Door Merchandisers
Super Deluxe Series

Model : TGF-5SD

ELECTRICAL DATA	
Voltage	115/60/1
Plug Type	ⓘ NEMA 5-15P
Full Load Amperes	5.5
Compressor HP	1/3
Cord Length (ft.)	9.8
Refrigerant	R-404A
DIMENSIONAL DATA	
# of Doors	1
Net Capacity (cu. ft.)	4.45
Ext. Length Overall (in.)	25 (635mm)
Ext. Depth Overall (in.) *	23 1/4 (590mm)
Ext. Height Overall (in.) †	30 1/2 (775mm)
Int. Length Overall (in.)	20 5/8 (525mm)
Int. Depth Overall (in.)	18 3/4 (475mm)
Int. Height Overall (in.)	26 1/4 (665mm)
Net Weight (lbs.)	164
Gross Weight (lbs.)	195
# of Shelves	2
Shelf Size (L x D) (in.)	19 3/8 x 16 5/8

Design and specifications subject to change without notice.
Actual shipping weight may differ due to extra packing materials for product protection.
* Depth does not include 2-1/4" (57mm) for door handle.
Depth does not include 2-3/8" for rear mechanical component and additional 1-5/8" for a power cord bushing & radius of curvature.
† Height does not include 2-1/4" (56mm) for leg height.

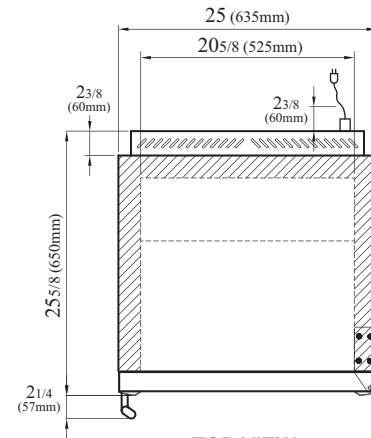
■ **WARRANTY : 3 Year Parts and Labor Warranty**
Additional 2 Year Warranty on Compressor

- **Door locking system standard**
- **Three color options available (standard):** white cabinet (W), white cabinet with wine color trim (V) or black cabinet with black color trim (B)

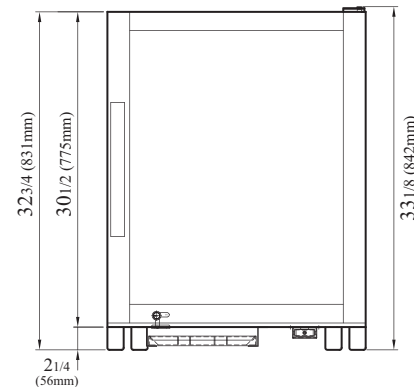
- **OPTIONAL ACCESSORIES :**
 - Additional PE coated wire shelf: P0178A0300
 - Price tag channel: P0122K5700 (18-1/2"L)

PLAN VIEW

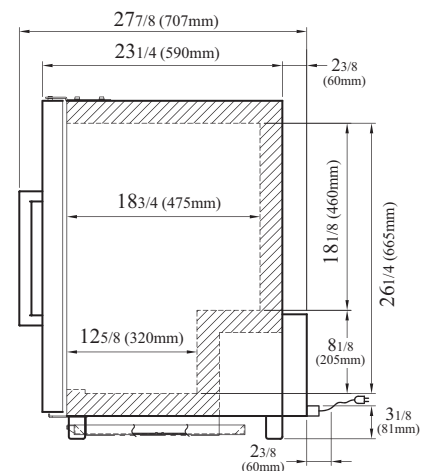
(unit : inch)



TOP VIEW



FRONT VIEW



SIDE VIEW

Ver.201701



- Turbo Air : 800-627-0032
- GK : 800-500-3519
- Warranty : 800-381-7770
- AC : 888-900-1002

REFRIGERATOR MANUFACTURER
Turbo air

GERMAN KNIFE

RADIANCE

GREEN WORLD

AIR CONDITIONER MANUFACTURER
Turbo air