



a **Standex** company

ITEM: _____ PROJECT NAME: _____ DATE: _____

HIGH VOLUME REFRIGERATED BAKERY CASE MODEL

SGR3142 SGR3148
SGR3642 SGR3648
SGR5042 SGR5048
SGR5942 SGR5948
SGR7742 SGR7748



Display more product and serve more customers with presentation and value in mind. Cases are available in lengths of 31", 36", 50", 59", and 77". Designed for continuous case line-ups without middle end glass.

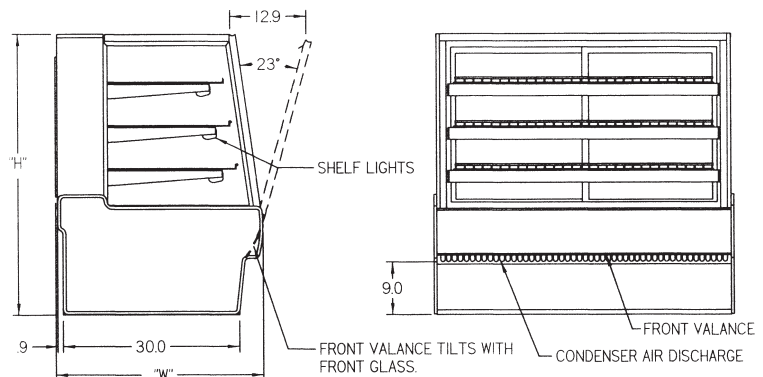
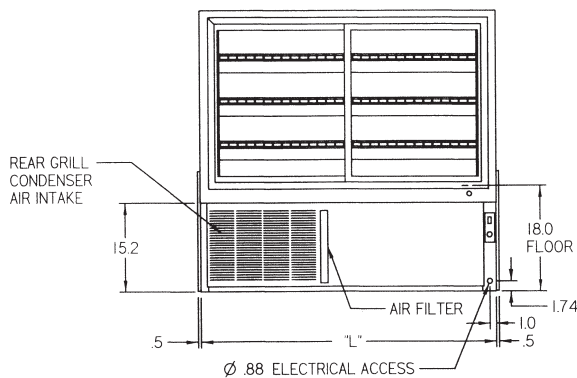
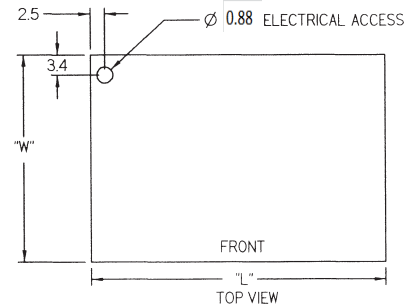
STANDARD FEATURES

- Adjustable white wire shelves. Shelves are adjustable up and down and can also be tilted in three positions. 48" models have three tiers of shelves; 42" models have two tiers of shelves.
- Tempered thermopane tilt-out front glass for easy cleaning. Front glass is sloped for high visual product display.
- Tempered thermopane glass top, ends, and doors.
- Removable sliding rear doors, shelf lights, shelf supports, and shelves.
- 31" has a swing door, hinged right or left.
- Shielded top light and shelf lights.
- Steel base construction with a choice of six standard laminates on base. Other finishes optional.
- Condenser air filter on self-contained units.
- Thermometer.
- Removable, scratch-resistant, rustproof white display deck.
- Condensate evaporator provided for a totally self-contained system.
- Oversized coil and low-velocity fan system maintains high humidity and product freshness.
- Easy clean, rustproof insulated evaporator coil compartment.
- Easily accessible light switch and adjustable temperature control.
- Average case temperature of 38° to 40° F is maintained.
- Rear access to the refrigeration system for quick and easy service.
- Designed for continuous line-ups.
- Black trim. Others optional.
- 134A Refrigerant.
- UL Safety and UL Sanitation Listed.

HIGH VOLUME REFRIGERATED BAKERY CASE

OPTIONAL ACCESSORIES:

- | | | |
|--|--|--|
| <input type="checkbox"/> Special Base Finish | <input type="checkbox"/> Cord & Plug | (NEMA 5-15P for 31, 36, 50, 59 Models, |
| <input type="checkbox"/> Special Trim | (Self-Contained Models Only) | NEMA 5-20P for 77 Models.) |
| <input type="checkbox"/> Glass Shelves | <input type="checkbox"/> Legs | |
| <input type="checkbox"/> Rear Wrapping Board | <input type="checkbox"/> Top Cutting Board, White | |
| <input type="checkbox"/> Casters/Cord & Plug Included | <input type="checkbox"/> Package Shelf | |
| (Self-Contained Models Only) | <input type="checkbox"/> Light Below Package Shelf | |
| <input type="checkbox"/> Remote Condensing Unit | <input type="checkbox"/> Black, Gold, or Chrome Wire Shelves | |
| <input type="checkbox"/> Reflective Ends | <input type="checkbox"/> Front Glass and Rear Door Locks | |
| <input type="checkbox"/> White or Mirrored Interior Ends | <input type="checkbox"/> Joining Kit for Continuous Line-ups | |
| with Laminated Exterior | | |
| <input type="checkbox"/> Reflective Rear Doors | | |



SPECIFICATIONS:

Model	Dimensions			Shipping Weight (lbs)	Bakery Pan Capacity	Self-Contained (120/60/1)	Remote (120/60/1)
	L	W	H				
SGR3142	31.13"	35.31"	42"	460	3 (18" x 26") & 3 (9" x 26")	1/3 HP - 8.0 AMPS	2.1 AMPS
SGR3148	31.13"	35.31"	48"	500	4 (18" x 26") & 4 (9" x 26")	1/3 HP - 8.0 AMPS	2.1 AMPS
SGR3642	36.13"	35.31"	42"	470	3 (18" x 26") & 3 (9" x 26")	1/3 HP - 9.0 AMPS	2.3 AMPS
SGR3648	36.13"	35.31"	48"	510	4 (18" x 26") & 4 (9" x 26")	1/3 HP - 9.0 AMPS	2.3 AMPS
SGR5042	50.13"	35.31"	42"	615	6 (18" x 26") & 3 (9" x 26")	1/2 HP - 10.5 AMPS	2.3 AMPS
SGR5048	50.13"	35.31"	48"	690	8 (18" x 26") & 4 (9" x 26")	1/2 HP - 10.5 AMPS	2.3 AMPS
SGR5942	59.13"	35.31"	42"	730	9 (18" x 26")	1/2 HP - 11.6 AMPS	2.5 AMPS
SGR5948	59.13"	35.31"	48"	765	12(18" x 26")	1/2 HP - 11.6 AMPS	2.5 AMPS
SGR7742	77.13"	35.31"	42"	890	12 (18" x 26")	3/4 HP - 14.2 AMPS	3.3 AMPS
SGR7748	77.13"	35.31"	48"	930	16 (18" x 26")	3/4 HP - 14.2 AMPS	3.3 AMPS

- If a GFCI circuit is required, a GFCI Breaker Must be used instead of GFCI receptacle.
- Refrigerated cases are designed to operate in a maximum environment of 75° ambient and 55% relative humidity.
- Due to continuing engineering improvements, specifications are subject to change without notice.



Look to Federal for Innovative Merchandising



The Signature of Quality

FEDERAL INDUSTRIES
A Standex Company

215 FEDERAL AVENUE, BELLEVILLE, WISCONSIN 53508-9201

PHONE: 800-356-4206

EMAIL: geninfo@federalind.com

FAX: 608-424-3234

WEBSITE: www.federalind.com

