



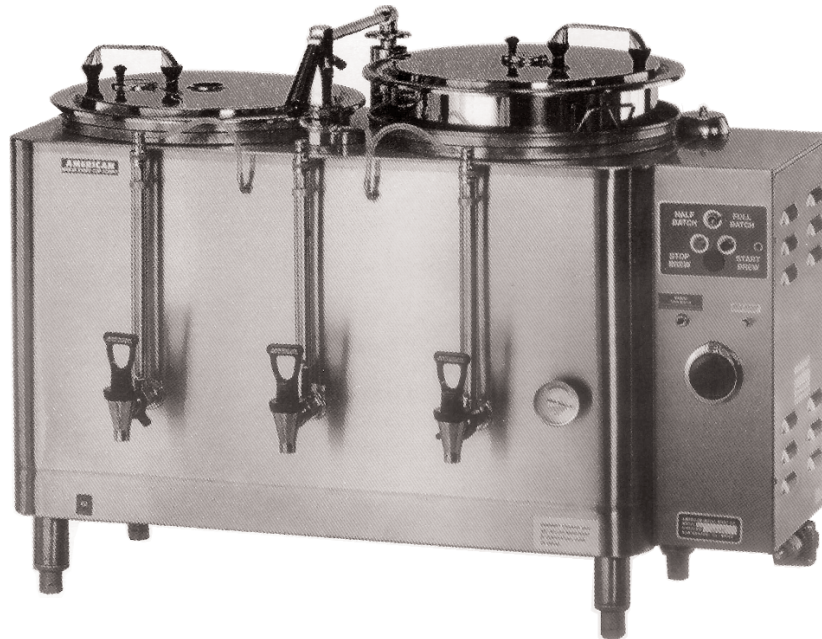
Item # _____

Project _____

Date _____

Mid Line Urn Pump Type Brewing System

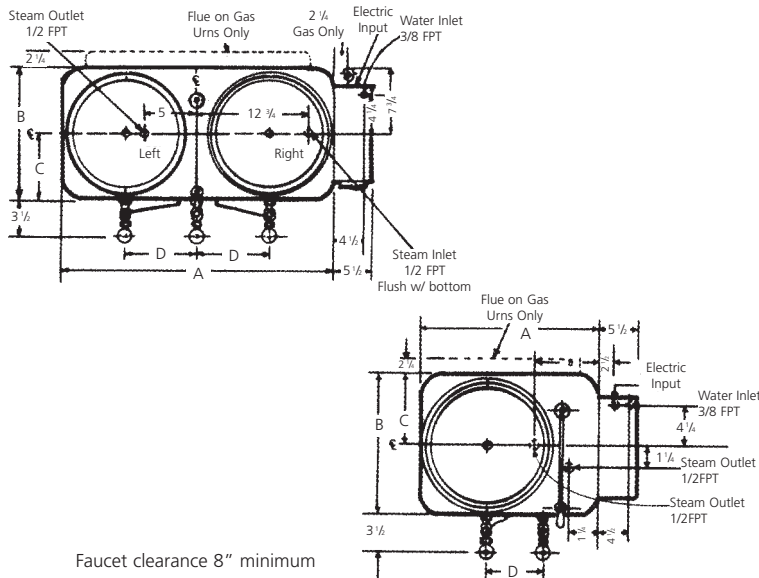
Models 7773, 7776, 77710, 7713, 7716, 77110
Electric, Steam, Gas



Features:

- **Pump Type Brewing System**
Water is heated in large water storage compartment. When brew button is activated, hot water is pumped over the coffee grounds through American's specially designed solid cone spray nozzle thus providing the most uniform extraction possible from the coffee bed.
- **All A.I.S.I. Type 304 18-8 Stainless Steel Construction**
- **One Button Fool-Proof Operation**
Toggle switch selection for half and full batch. Brew time can be changed by adjusting the setting concealed on the front panel. Adjust with screwdriver through front panel. Stop sprayover with one touch.
- **Automatic Coffee Agitation**
Thoroughly mixes coffee after sprayover stops.
- **Automatic Refill of Water Compartment**
Assures unlimited supply of hot water, always available.
- **Closed Chamber Brewing**
Prevents escape of coffee vapors. Brews with NSF approved cover on brew basket. Prevents costly steam/moisture loss to atmosphere. Saves energy with savings on air conditioning load.
- **Special Pinpoint Control Thermostat**
Four position temperature selection on thermostat controls. The four temperature controls are Brew (200°F), Hold (180°F), Night Stand-by (160°F) and OFF.
- **Velvet Smooth Spray Arm**
Special Teflon® coating on spray arm piston prevents liming and insures smooth operation. Positive "stops" on spray arm for operator safety.
- **Adjustable Bypass on Spray Arm**
Enables proper brew extraction even with variations caused by treated water or different coffee blends.
- **Low Water Cutoff System**
Solid state probe sensor system provides positive protection against heater burnout, at start-up or in operation.
- **One Stainless Steel Brew Basket**
With 25 filter papers.
- **Control Box on Right Hand End**
If requested, the control box can be located on the left hand end of urn.
- **Greatest Safety for Operator (OSHA)**
All controls operate on 120 volt.
- **Drain in Bottom with Hose Connection**
Allows faster access for service.
- **Flexible Leads to Pump**
When necessary, pumps can be changed in a matter of minutes with our exclusive flexible hose system.
- **Fast Initial Fill Rate Valve**
Saves time filling urn during installation.

Mid Line Urn Pump Type Brewing System



| Model Number | A | B | C | D | Work Height † | Overall Height † |
|--------------|---------|---------|--------|--------|---------------|------------------|
| 7773 | 30-1/2" | 15-1/4" | 7-5/8" | 7-3/4" | 21-5/8" | 27-1/8" |
| 7776 | 34" | 16-3/4" | 8-3/8" | 8-5/8" | 27-5/8" | 33-1/8" |
| 77710 | 34" | 16-3/4" | 8-3/8" | 8-5/8" | 27-5/8" | 34-5/8" |
| 7713 | 18" | 15-1/4" | 7-5/8" | 5-1/2" | 21-5/8" | 27-1/8" |
| 7716 | 21" | 16-3/4" | 8-3/8" | 7-5/8" | 27-5/8" | 33-1/8" |
| 77110 | 21" | 16-3/4" | 8-3/8" | 7-5/8" | 27-5/8" | 34-5/8" |

* Add 2-1/4" for flue on gas - allow 6" wall clearance.
† Add 2-1/2" on gas.

Brew Basket Selection Chart

| Brews | 3 Gal. | 6 Gal. | 10 Gal. | 1/2 Batch on 3 Gal. | 1/2 Batch on 6 Gal. | 1/2 Batch on 10 Gal. |
|----------|--------|--------|---------|---------------------|---------------------|----------------------|
| Part No. | BB3 | BB6 | BB810 | BB3-1.5 | BB6-3 | BB810-6 |

NOTE: All SS permanent filter brew basket with SS woven wire cloth bottom is available. Filter paper is available from our stock. See price list.

Military Specifications - Marine Modifications

Twin and single automatic urns MIL-U-43263E or latest specification. Available modified for marine (shipboard) use; no spillage of liquid with 15° list in any plane, and other requirements. Contact factory for detailed quotation and data.

Multiple Faucet Options

| | | |
|------------|--------|---------------------------------------|
| Opt. DS-1 | 2C, 1W | Back/Rear, No Gauge |
| Opt. DS-2 | 2C, 1W | Back/Rear, with Gauges |
| Opt. DS-3L | 2C, 1W | Back/Rear, No Gauges, w/ selecta-flow |
| Opt. DS-11 | 2C, 1W | One End, No Gauge |
| Opt. DS-12 | 2C, 1W | One End, No Gauge w/ selecta flow |

Fast Fill Options

| | |
|-----------|--|
| Opt. 56 | Jug fill funnel and chain (18" long) |
| Opt. 57 | Gravity Jug Fill Hose Assembly (6' long) |
| Opt. 70T1 | High Speed Jug Fill - Coffee Only |
| Opt. 70T2 | High Speed Jug Fill - Coffee and Water |

| Model No. | Twin | | | Single | | |
|--|--------|--------|---------|--------|--------|---------|
| | 7773 | 7776 | 77710 | 7713 | 7716 | 77110 |
| Coffee Capacity (ea. liner) | 3 gal. | 6 gal. | 10 gal. | 3 gal. | 6 gal. | 10 gal. |
| Maximum Gallons/Hour*: - electric, steam - gas | 25 | 32 | 42 | 14 | 32 | 42 |
| | 18 | 24 | 28 | 9 | 16 | 19 |
| Number of 5 oz. Cups/Hour: - electric, steam - gas | 625 | 800 | 1050 | 450 | 800 | 1050 |
| | 450 | 600 | 700 | 225 | 400 | 475 |
| Maximum Steam Demand - lbs./hour | 50 | 70 | 70 | 30 | 70 | 70 |
| Gas Consumption - BTU/hour | 35,000 | 35,000 | 35,000 | 18,000 | 24,000 | 24,000 |

* Based on spraying over amount of water equal to capacity of liner.

Electric Heat

Specify electric service desired. Standard is dual voltage 120/240V or 120/208V single phase 3 wire (neutral wire required). Watts and amps as shown. Note: A ground wire must be provided in addition to wire service shown. All service includes terminal block hook-up.

| Model | 120/240 Volt | | 120/208 Volt | | 240 Volt | | 120/208V | | 480 V | |
|-------|--------------|--------|--------------|--------|--------------------------|----------------------------|--------------------------|----------------------------|--------------------------|----------------------------|
| | 1-Phase | 3 Wire | 1-Phase | 3 Wire | 3-Phase | 3 Wire | 3-Phase | 4 Wire | 3-Phase | 3 Wire |
| | KW | Amps | KW | Amps | (Specify Opt. 21B) KW | (Specify Opt. 21B) Amps | (Specify Opt. 21A) KW | (Specify Opt. 21A) Amps | (Specify Opt. 21C) KW | (Specify Opt. 21C) Amps |
| 7773 | 7 | 29 | 5.5 | 25 | 10.5 † | 25 | 8 | 22 | 12 † | 14 |
| 7776 | 11.5 | 48 | 8.5 | 41 | 10.5 † | 25 | 8 | 22 | 12 † | 14 |
| 77710 | 15 | 63 | 11.5 | 54 | 15 †* | 36 | 11.5 * | 31 | 12 † | 14 |
| 7713 | 7 | 29 | 5.5 | 25 | 10.5 † | 25 | 8 | 22 | 12 † | 14 |
| 7716 | 11.5 | 48 | 8.5 | 41 | 10.5 † | 25 | 8 | 22 | 12 † | 14 |
| 77110 | 15 | 63 | 11.5 | 54 | 15 †* | 36 | 11.5 * | 31 | 12 † | 14 |

* No extra charge

† Separate 3 wire 120V cord and plug for control circuit.

Steam Heat

Specify operating steam pressure. Standard is 10 to 25 PSI Gage. 1/2" FPT steam inlet and outlet. Requires plug-in of 3 wire cord to 120V AC outlet. Steam trap to be supplied by others.

Gas Heat

Specify Natural or L.P. gas. Standard includes thermostat with 100% safety pilot shutoff, stainless steel flue on rear and combustion chamber with aluminum heat shield under gas burner. Requires plug-in of 3 wire cord to 120VAC outlet. Six and ten gallon models require connection to 160°F hot water line.



GRINDMASTER
CORPORATION

Grindmaster® Coffee Grinders and Brewers • Espresso® Espresso Machines • Crathco® Hot Beverage Dispensers
Crathco® Cold and Frozen Beverage Dispensers • American Metal Ware® Coffee and Tea Systems
Tel (502) 425-4776 • Fax (502) 425-4664 • 1-800-695-4500 (USA & Canada only)

P.O. Box 35020 • Louisville, KY 40232 • USA

www.grindmaster.com • email: info@grindmaster.com