



# KM-1340M\_H(3)

MODULAR CRESCENT ICE CUBER



KM-1340M\_H(3)  
09/29/17  
Item # 13175

W x D x H  
30" x 27<sup>3/8</sup>" x 41<sup>1/2</sup>"

**KM-1340MAH**  
Air-Cooled 1 Phase  
Shown on optional bin: B900

**KM-1340MWH**  
Water-Cooled 1 Phase

**KM-1340MRH** ★  
Remote Air-Cooled 1 Phase

**KM-1340MRH3**  
Remote Air-Cooled 3 Phase



Item #: \_\_\_\_\_  
Project: \_\_\_\_\_  
Qty: \_\_\_\_\_  
AIA#: \_\_\_\_\_

## Features

- ▶ Individual crescent cube
- ▶ Stainless steel evaporator
- ▶ CycleSaver™ design

- Up to 1401 lbs. of ice production per 24 hours
- Mount two units, side-by-side, in only 60" of floor space for double the amount of ice production
- Durable stainless steel exterior
- Protected by H-Guard Plus Antimicrobial Agent
- EverCheck alert system
- Removable air filters (Air-cooled model only)
- R-404A Refrigerant

### Available on Bins:

B-500PF/SF B-800PF/SF B-1150SS B-1500SS  
B-700PF/SF B-900PF/SF B-1300SS B-1650SS

Top kit may be required. See Bin Spec Sheets.

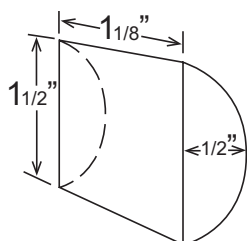
### Warranty:

3 Year Parts & Labor on entire machine. 5 Year Parts & Labor on Evaporator. 5 Year Parts on Compressor; air-cooled condenser coil. Valid in United States, Canada, Puerto Rico and U.S. Territories. Contact factory for warranty in other countries.

Condenser	Model	ICE PRODUCTION		WATER USAGE		ELECTRICAL*							
		Air / Water Temp Lbs. per 24 hours 70°/50°F 90°/70°F		Potable Gal. per 100 lbs. 90°/70°F	Condenser Gal. per 100 lbs. 90°/70°F	kWh Used per 100 lbs. 90°/70°F	Max. Fuse Sz or HACR Circuit Bkr	Amperage	Voltage	Circuit Wires (including ground)	Heat Rejection BTU/hr.	Charge Amount	Net / Ship Weight (lbs.)
1 Phase	Air	KM-1340MAH	1325 1167	18.3	N/A	4.7	20A	13.2A	208-230V/60/1	4	20,300	4lbs. 11.4oz	276 / 315
	Water	KM-1340MWH	1329 1316	19.7	133	3.9	20A	10.7A	208-230V/60/1	4	17,200	2lbs. 1.5oz	254 / 293
	Remote	KM-1340MRH	1401 1251	18.3	N/A	4.5	20A	13.4A	208-230V/60/1	4	17,600	9lbs. 14.7oz	250 / 289
3 Phase	Remote	KM-1340MRH3	1364 1185	21.5	N/A	4.75	20A	9A	208-230V/60/3	4	21,800	9lbs. 14.7oz	250 / 289

\*If neutral is not available transformer kit (HS-5030) is required. Refer to instruction manual for installation and electrical requirements.

## KM Cube Dimensions†



† approximate size in inches, image not to scale

## Operating Limits

- Ambient Temp Range 45 - 100°F
- Water Temp Range 45 - 90°F
- Water Pressure 10 - 113 PSIG
- Voltage Range 187 - 253V

## Service

- Panels easily removed and all components accessible for service.
- Allow 6" (15cm) clearance at rear, sides, and top for proper air circulation and ease of maintenance/service.

## Plumbing

- Icemaker Water Supply Line: Min. 3/8" Nominal ID Copper Water Tubing or Equivalent
- Icemaker Drain Line: Min. 3/4" Nominal ID Hard Pipe or Equivalent
- Water-Cooled Model (Lines Must Be Independent of Icemaker)
- Condenser Water Supply Line: Min. 3/8" Nominal ID Copper Water Tubing or Equivalent
- Condenser Drain/Return Line: Min. 3/8" Nominal ID Hard Pipe (open drain system) or Copper Water Tubing (closed loop system) or Equivalent

## Water Filter

Please refer to water filter spec sheet for recommended configurations.



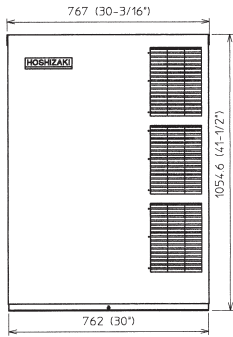
# KM-1340M\_H(3)

## MODULAR CRESCENT ICE CUBER

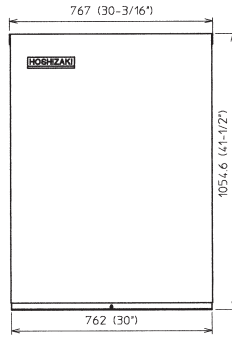


KM-1340M\_H(3)  
09/29/17  
Item # 13175

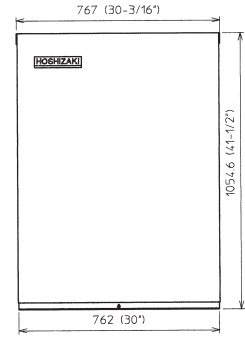
FRONT VIEW



AIR-COOLED

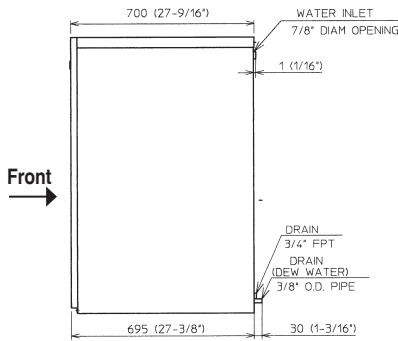


WATER-COOLED

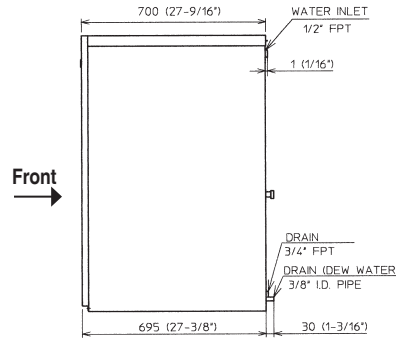


REMOTE AIR-COOLED

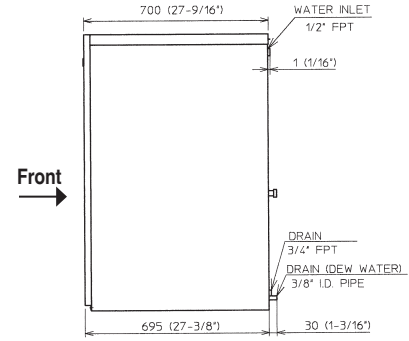
SIDE VIEW



AIR-COOLED

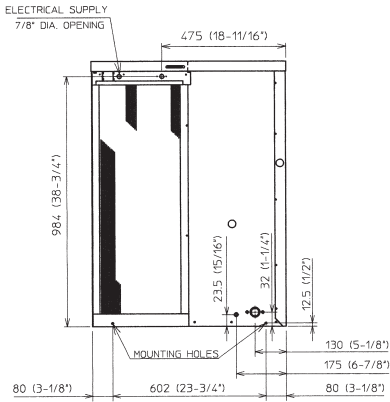


WATER-COOLED

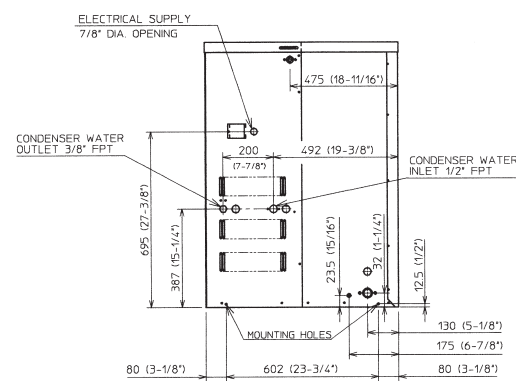


REMOTE AIR-COOLED

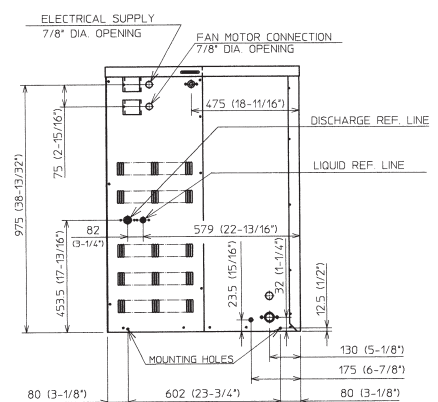
BACK VIEW



AIR-COOLED

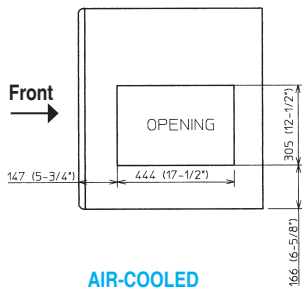


WATER-COOLED



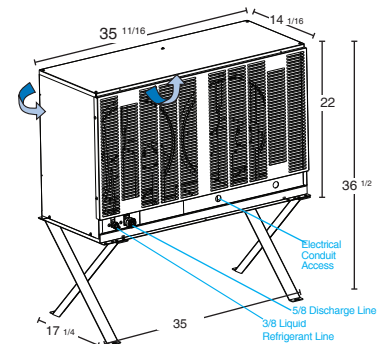
REMOTE AIR-COOLED

BOTTOM VIEW



AIR-COOLED  
WATER-COOLED  
REMOTE AIR-COOLED

URC-14F Remote Condenser (Sold Separately)  
(W x D x H) 35<sup>11/16</sup> x 14<sup>1/16</sup> x 36<sup>1/2</sup>  
For Use with KM-1340MRH(3)



Pre-Charged Tubing Kits  
(Sold Separately)  
20' R404-2068-2  
35' R404-3568-2  
55' R404-5568-2



Voltage supply for the URC Remote Condenser is supplied from the Ice Maker. No additional circuit is required.