

**REFRIGERATOR MANUFACTURER**  
**Turbo air**  
 more durable, efficient, beautiful

4184 E. Conant St.  
 Long Beach, CA 90808  
 Tel. 310-900-1000  
 Fax. 310-900-1077  
[www.turboairinc.com](http://www.turboairinc.com)

Project :	
Model # :	
Item # :	Qty :
Available W/H :	
Approval :	

## Solid Door Refrigerator

Reach-In Top Mount  
**M3 Series**

**Model : M3R72-3**

### FEATURES & BENEFITS

#### ■ Maintenance-free, Self-Cleaning Condenser

**(patented) Only at Turbo Air**

The accumulation of dust in the condenser causes the failure or breakdown of refrigerators. Refrigerators run normally until they reach a certain level of accumulation. At some point, when they are over the limit, their performance drops quickly resulting in damage to, or disposal of the stored products in refrigerators. The self-cleaning condenser device keeps the condenser clean and prevents system failure by automatically brushing daily.

#### ■ Digital temperature control & monitor system

- Keep food products safe by maintaining constant temperatures.
- Alarms that sound when doors are not sealed shut; protect against food spoilage that originate from cold air leaks.
- Digital display allows for easy monitoring.
- Programs interpret the condition of refrigeration systems by self-diagnosis.
- Automatic evaporator fan motor delays.

#### ■ Hot gas condensate system Only Turbo Air models

Through Turbo Air's creative innovation, the condensate system surfaces have been specially treated to resist corrosion. This not only increases efficiency without the risk of refrigerant leakage from corrosion, but also prevents the overflow of condensate water.

#### ■ Stainless steel cabinet construction

The Turbo Air M3 refrigerator model boasts a stainless steel exterior (galvanized steel top, bottom and back) and stainless steel interior with AL inside walls and door liners. It guarantees the utmost in cleanliness and long product life. The sharp corners and edges have been rounded to reduce the risk of injury. The M3 can add a touch of style to the most refined setting.

#### ■ Door pressure release device

Pressure relief doors are designed to eliminates vacuum pressure and allows easy, instant door opening.

#### ■ Efficient refrigeration system

M3's solid door refrigerators are designed with oversized and balanced (CFC Free R-134A) refrigeration systems. These include efficient evaporators and condensers for faster cooling and greater efficiency.

#### ■ LED interior lighting

#### ■ Adjustable, heavy duty, PE(polyethylene) coated wire shelves

#### ■ High-density polyurethane insulation

The entire cabinet structure and solid doors are foamed-in-place using high density, CFC free polyurethane insulation.

#### ■ Top mount compressor



Refrigerator holds 33°F ~ 38°F for the best in food preservation

#### Patented Self-Cleaning Condenser



This product is equipped with a fine mesh filter to the front of the condenser to catch dust, and a rotating brush that moves up and down daily to remove excess buildup outward and away.



Model	Swing Door	CU./FT.	#of Shelves	HP	AMPS	Crated Weight (lbs.)	L x D* x H † (inches)
M3R72-3	3	65.88	9	1/2	11.3	559	77 3/4 x 30 3/4 x 78

# Solid Door Refrigerator

Reach-In Top Mount  
M3 Series

## Model : M3R72-3

ELECTRICAL DATA	
Voltage	115/60/1
Plug Type	Ⓜ NEMA 5-15P
Full Load Amperes	11.3
Compressor HP	1/2
Feed Wires with Ground	3
Cord Length (ft.)	9
Refrigerant	R-134A
DIMENSIONAL DATA	
# of Doors	3
# of Racks Accepted	3
Net Capacity (cu. ft.)	65.88
Ext. Length Overall (in.)	77 <sup>3</sup> / <sub>4</sub> (1975mm)
Ext. Depth Overall (in.) *	30 <sup>3</sup> / <sub>4</sub> (780mm)
Ext. Height Overall (in.) †	78 (1981mm)
Int. Length Overall (in.)	73 <sup>7</sup> / <sub>8</sub> (1877mm)
Int. Depth Overall (in.)	26 <sup>1</sup> / <sub>2</sub> (675mm)
Int. Height Overall (in.)	60 <sup>5</sup> / <sub>8</sub> (1539mm)
Gross Weight (lbs.)	559
# of Shelves	9
Shelf Size (L x D) (in.)	23 x 23 <sup>1</sup> / <sub>2</sub> (Left/Right)
	25 <sup>1</sup> / <sub>4</sub> x 23 <sup>1</sup> / <sub>2</sub> (Middle)

Design and specifications subject to change without notice.

Actual shipping weight may differ due to extra packing materials for product protection.

\* Depth does not include 2" for rear condensate enclosure.

† Height does not include 5" for caster height.

### ■ WARRANTY : 3 Year Parts and Labor Warranty Additional 2 Year Warranty on Compressor

- Self-contained system
- Standard 4" dia. swivel casters with locks on the front set
- Door locks standard
- Magnetic door gaskets
- Solid and sturdy grille design
- Legs available (optional)
- Full size and half pan racks available (optional)

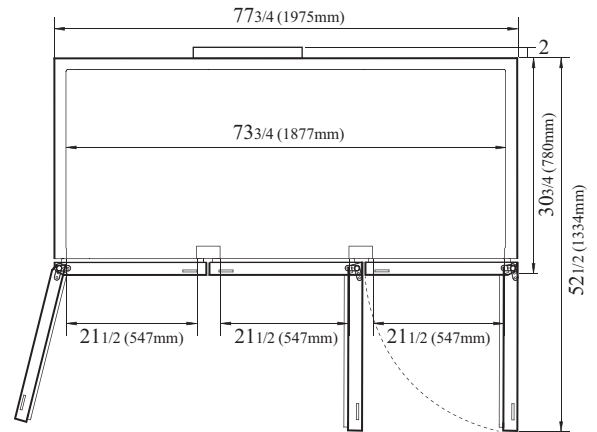
### ■ OPTIONAL ACCESSORIES :

- 5" caster, 1/2" diameter & 13 TPI: M726500100 (non-brake), M726500200 (w/ brake)
- 6" stainless steel leg: 30221M0600
- Additional PE coated wire shelf: G8F1800101 (Left/Right), G8F1800201 (Middle)
- Half door bun tray rack: TSP-2224 (each holds up to six 18"L x 26"D sheet pans)
- Full door bun tray rack: TSP-2250 (each holds up to fifteen 18"L x 26"D sheet pans)

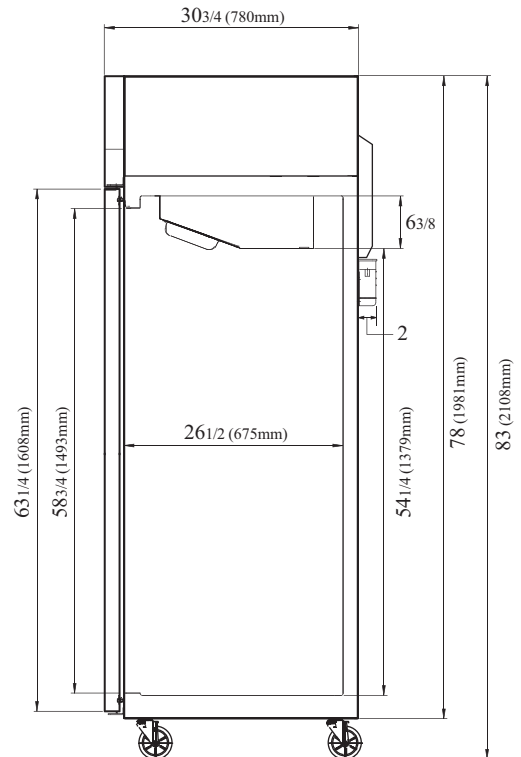
Ver.201701

## PLAN VIEW

(unit : inch)



PLAN VIEW



SIDE VIEW



- Turbo Air : 800-627-0032
- GK : 800-500-3519
- Warranty : 800-381-7770
- AC : 888-900-1002

REFRIGERATOR MANUFACTURER  
**Turbo air**

**GERMAN KNIFE**

**RADIANCE**

**GREEN WORLD**

AIR CONDITIONER MANUFACTURER  
**Turbo air**