



Item: _____

Quantity: _____

Project: _____

Radiant Broiler Hot Plate Combination

Radiant Broiler/Hot Plate Combination

Models:	<input type="checkbox"/> RRB-12OB2	<input type="checkbox"/> RRB-18OB2	<input type="checkbox"/> RRB-24OB2	<input type="checkbox"/> RRB-30OB2
	<input type="checkbox"/> RRB-36OB2	<input type="checkbox"/> RRB-24OB4	<input type="checkbox"/> RRB-30OB4	

Gas Type: Natural LP

Elevation (if above 2000 ft.): _____



Options and Accessories

- Fish grate
 - Diamond grate
 - Reversible grate with trough
 - Stainless steel splash guard, up to 12" high, sides tapered to 4" in front
 - Add plate shelf
 - Stainless Steel Equipment Stand
 - Knock Down All Welded
- Size
- 24" 30" 36" 48" 60" 72"
 - 5" swivel casters (set of four - 2 locking)
 - 5" swivel casters (set of six - 3 locking) (60" and 72" models)

Standard Features

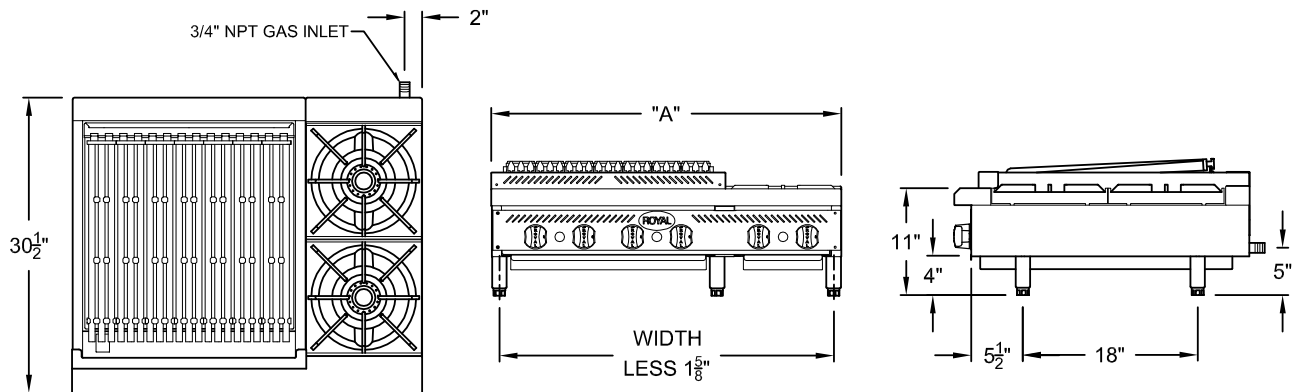
- 11" high, Low Profile
- Easily removable independent firebox assembly
- Full width, removable stainless steel crumb pan
- Compact heavy gauge chassis for long life
- Stainless steel sides and front valve cover and ledge
- Double wall panels for cooler sides
- Stainless steel tubular burners rated at 15,000 BTU/hr each
- Individually adjustable burners provide powerful radiant heat
- Cast iron lift off head burners rated at 30,000 BTU/hr in hot plate section
- Standing pilots for instant ignition
- Heavy duty cast iron top grates
- Stainless steel tubing for burners and pilots
- 4" high adjustable heavy duty legs included
- One year limited warranty, parts and labor



Royal Range of California, Inc.
 3245 Corridor Dr. • Eastvale, CA 91752 • (800) 769-2414 • (951) 360-1600
 Fax: (951) 360-7500 • www.royalranges.com • sales@royalranges.com



Radiant Broiler Hot Plate Combination



Model Number	Width (A)	Number of Burners	Total BTU	Ship Weight
RRB-12OB2	24"	1R/2OB	75,000	255 lbs.
RRB-18OB2	30"	3R/2OB	105,000	330 lbs.
RRB-24OB2	36"	4R/2OB	120,000	395 lbs.
RRB-30OB2	42"	5R/2OB	135,000	435 lbs.
RRB-36OB2	48"	6R/2OB	150,000	480 lbs.
RRB-24OB4	48"	4R/4OB	180,000	455 lbs.
RRB-30OB4	54"	5R/4OB	195,000	495 lbs.

Notes:

- R = Radiant burner at 15,000 BTU/hr
- OB = Open burner at 30,000/BTU/hr

Gas Connection:

3/4" NPT on the right hand rear of the appliance.
The pressure regulator (supplied) is to be connected by the installer.

Gas Pressure:

5" W.C.	Natural Gas
10" W.C.	Propane

Clearances:

	Combustible	Non-Combustible
Rear	N/A	0"
Sides	N/A	0"

Specify type of gas and altitude, if over 2,000 feet, when ordering.

Due to continuing product development to ensure best possible performance, these specifications are subject to change without prior notification.

Royal Range of California, Inc.
3245 Corridor Dr. • Eastvale, CA 91752 • (800) 769-2414 • (951) 360-1600
Fax: (951) 360-7500 • www.royalranges.com • sales@royalranges.com