



# Overshelves

## Commercial Series Overshelves for Pizza Prep Tables



Overshelves  
03/31/17  
Item # 13401

Item #: \_\_\_\_\_

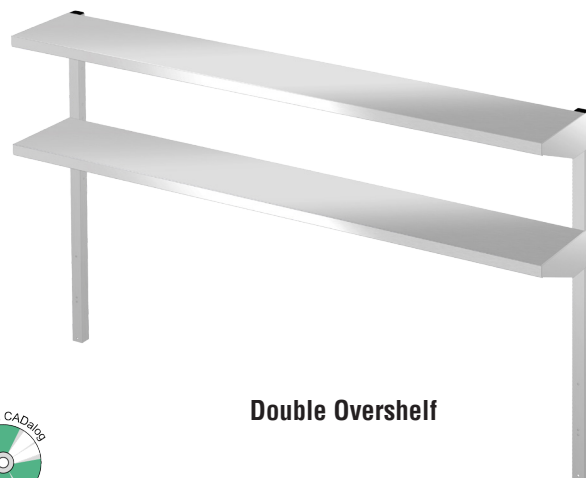
Project: \_\_\_\_\_

Qty: \_\_\_\_\_

AIA#: \_\_\_\_\_



Single Overshelf



Double Overshelf



### Features

- ▶ Heavy duty 16 gauge stainless steel construction
- ▶ Adjustable top and bottom pass-thru shelving
- ▶ Provides convenient storage

- Easily secures to base cabinet without special tools
- For use on pizza prep tables, including drawer models\*
- Durable stainless steel 1 1/2" tubular-style poles
- Top shelf adjustable 2 or 4 inches
- Bottom shelf adjustable 2 or 3 inches

#### Warranty:

90 day - Parts only. Valid in United States, Canada, Puerto Rico and U.S. Territories. Contact factory for warranty in other countries.

Accessory Number	Number of Shelves	Models	Exterior Dimensions W x D x H* <small>*Height of poles</small>	Shipping Dimensions W x D x H	Shipping Weight
HS-5229**	Single	46" / 93" Cabinet**	46" x 12" x 48"	55.25" x 18" x 5.5"	31 lbs.
HS-5231	Single	67" Cabinet	67" x 12" x 48"	79" x 17" x 5.5"	38 lbs.
HS-5228**	Double	46" / 93" Cabinet**	46" x 12" x 48"	55.25" x 18" x 5.5"	45 lbs.
HS-5230	Double	67" Cabinet	67" x 12" x 48"	79" x 17" x 5.5"	60 lbs.

\*\* 93" cabinets can accommodate (2) HS-5229 Single Overshelves or (2) HS-5228 Double Overshelves.

\*Compatible with models manufactured since January 2017. (Serial # GXXXXXA and after)



# Overshelves

Commercial Series Overshelves  
for Pizza Prep Tables

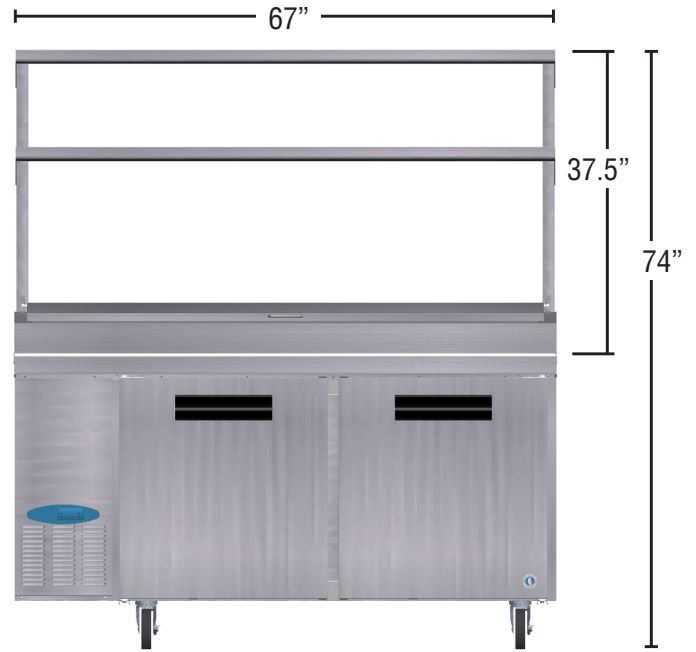


Overshelves  
03/31/17  
Item # 13401

## FRONT VIEW

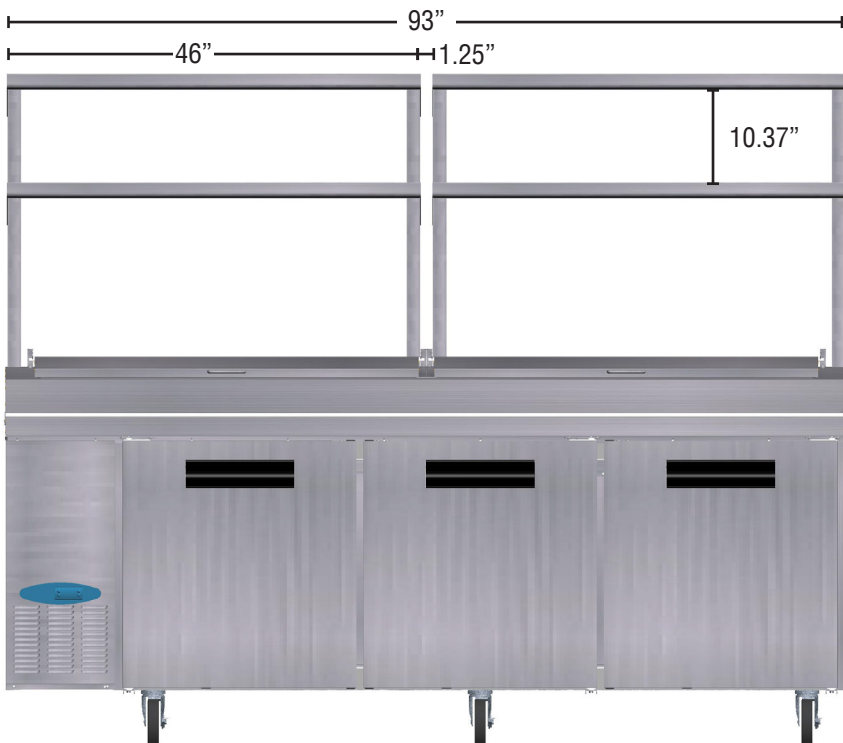


Double Overshelf Shown on  
CPT46



Double Overshelf Shown on  
CPT67

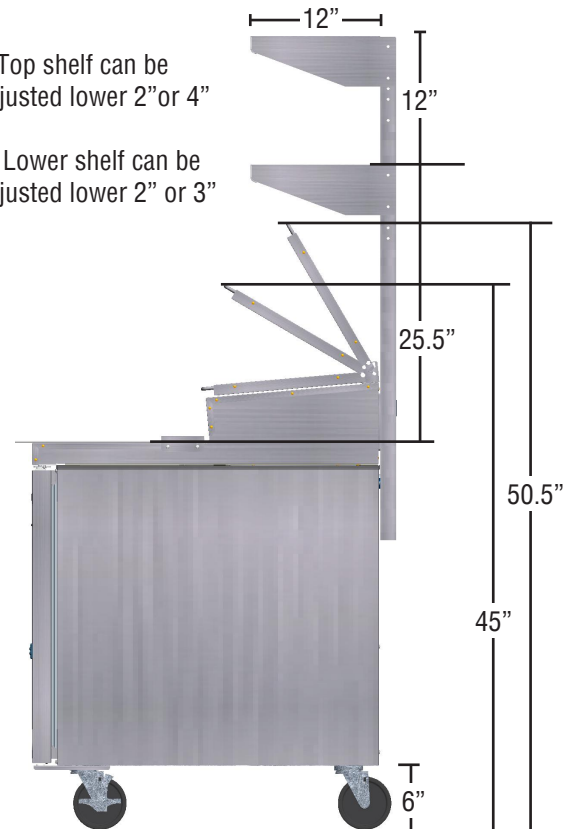
## FRONT VIEW



Double Overshelf Shown on  
CPT93

## SIDE VIEW

- Top shelf can be adjusted lower 2" or 4"
- Lower shelf can be adjusted lower 2" or 3"



Double Overshelf  
Side View