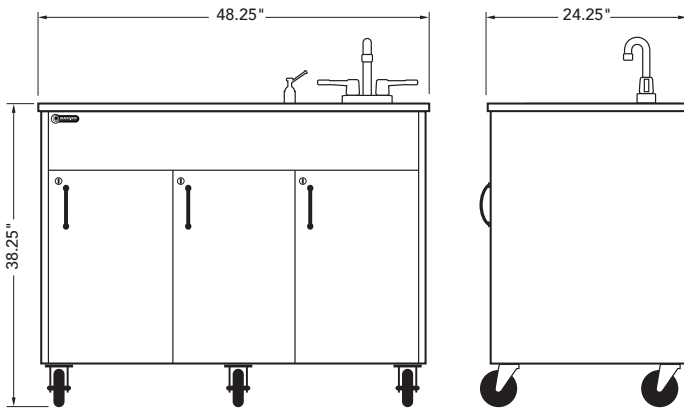


ADVANTAGE 1D MAPLE

It's all about more with our Advantage 1D self-contained, portable, hot water, handwashing sinks. This NSF-certified, out-of-the-box ready model seriously ups your handwashing code compliance status with its extra counter space, two lockable storage compartments, and a third that hides away your quick-connect water tanks.

Black laminate countertops start this portable sink off strong, boasting a clean, fresh look to match. The deep single stainless sink basin, with top-fill, liquid soap dispenser, is easy to clean and makes handwashing an absolute breeze. It's dressed to impress with a cherry or maple woodgrain finish, so all you have to worry about is what to put in those extra storage areas.



ADAVM-LM-SS1DN

| Model Name | Advantage 1D |
|--------------------------------|--|
| NSF Certified | Yes |
| LivingGreen Certified | Yes |
| SACERS Rating | 12, 3.4, 5.1, 5.2 |
| CARB 93120 Phase 2 | Yes |
| Electrical Requirements | 110V, 20A Dedicated Outlet and Breaker |
| On-Demand Hot Water | Approx. 40°F Above Water Temperature |
| GPM | 0.5 |
| Approx Handwashings | 45-60 (5 gallon tank) |
| Product Dimensions | 48.25"W x 24.25"D x 38.25"H |
| Product Weight | 193 lbs. |
| Basin | Deep Single Stainless Steel |
| Basin Dimensions | 14" W x 10" L x 9.625" D |
| Countertop Material | Phthalate, Lead Free Millwork |
| Cabinet Material | Phthalate, Lead Free Millwork |
| Cabinet Color | Maple |
| Fresh Water Tank | 5 Gallon Capacity, FDA Approved |
| Waste Water Tank | 6 Gallon Capacity, FDA Approved |
| Faucet Style | ADA Compliant Wrist Action Handles |
| Door Lock | Keyless |
| Soap Dispenser | Liquid Only, Countertop Mount |
| Cabinet Wheels | 5" Front Locking/Swivel Casters |
| Warranty | 2 Year |

Minimum Operating Requirements

- Each sink must use a grounded, dedicated 110V, 20A circuit breaker
- Sinks must be used on a dry, level indoor surface
- Extension cord must be 12/3, rated at 20A or higher
- Water must meet EPA standards (PH between 7.0 and 9.0)

- BEAUTY + WELLNESS
- EDUCATION + CLASSROOM
- FOOD SAFETY
- HEALTHCARE
- RETAIL



IMPORTANT!

Consult with your state and local environmental health official to confirm usage of portable sinks in place of plumbing.