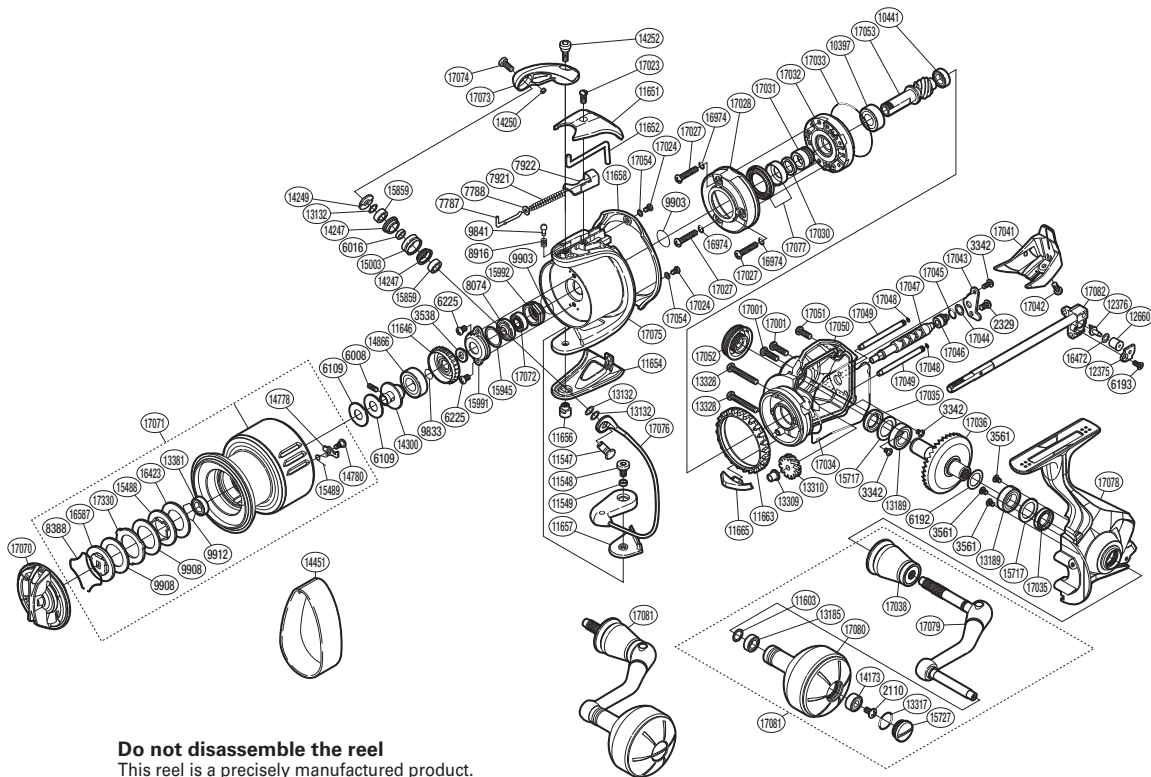


# SHIMANO

TWIN POWER S A-RB

TP-SW4000XG



**Do not disassemble the reel**

This reel is a precisely manufactured product. Disassembling the reel may result in decreased performance. Problems caused by unauthorized disassembly are not covered by warranty.

Please note that the number of adjusting washers may not be the same as shown in the exploded views.

(51SE51H043X) (Adjustment will vary with each individual product.)

Part No.	Description	Part No.	Description	Part No.	Description
RD 2110	Screw	RD12375	Oscillating Pawl Cover	RD17030	Washer
RD 2329	Screw	RD12376	Oscillating Pawl	RD17031	Roller Clutch Inner
RD 3342	Screw	RD12660	Oscillating Slider Bushing	RD17032	Roller Clutch Assembly
RD 3538	Spool Support	RD13132	Washer	RD17033	O Ring
RD 3561	Screw	RD13185	Ball Bearing	RD17034	Body Seal
RD 6008	Set Screw	RD13189	Ball Bearing	RD17035	Bearing Water Proof
RD 6016	Bearing Spacer	RD13309	Worm Bushing (Front)	RD17036	Drive Gear
RD 6109	Spool Washer	RD13310	Idle Gear	RD17038	Handle Shaft Cover
RD 6192	Washer	RD13317	O Ring	RD17041	Rear Protector
RD 6193	Screw	RD13328	Screw	RD17042	Screw
RD 6225	Screw	RD13381	Ball Bearing	RD17043	Worm Shaft Retainer
RD 7787	Bail Spring Guide A	RD14173	Ball Bearing	RD17044	Washer
RD 7788	Spring Guide A Support	RD14247	Line Roller Bushing	RD17045	O Ring
RD 7921	Bail Spring	RD14249	Line Roller Plate	RD17046	Worm Bushing (Rear)
RD 7922	Bail Spring Seat	RD14250	Line Roller Oil Cap	RD17047	Worm Shaft
RD 8074	Bearing Water Proof	RD14252	Screw	RD17048	O Ring
RD 8388	Drag Washers Retainer	RD14300	Bearing Bushing	RD17049	Oscillating Guide
RD 8916	Click Spring	RD14778	Drag Click	RD17050	Body
RD 9833	Ratchet Spring	RD14780	Screw	RD17051	Screw
RD 9841	Click Pin	RD14866	Ball Bearing	RD17052	Handle Screw Cap
RD 9903	O Ring	RD15003	Line Roller	RD17053	Pinion Gear
RD 9908	Drag Washer	RD15488	Key Washer	RD17054	Washer
RD 9912	Bearing Retainer	RD15489	Drag Click Spring	RD17070	Drag Knob
RD10397	Ball Bearing	RD15717	Washer	RD17071	Spool Assembly
RD10441	Ball Bearing	RD15727	Handle Knob Seal	RD17072	Main Shaft Spacer
RD11547	Line Roller Support	RD15859	Ball Bearing	RD17073	Bail Arm
RD11548	Screw	RD15945	Washer	RD17074	Screw
RD11549	Screw Collar	RD15991	Rotor Nut Lock Plate	RD17075	Rotor
RD11603	Washer	RD15992	Rotor Nut	RD17076	Bail Assembly
RD11646	Drag Click Ratchet	RD16423	Drag Washer	RD17077	Roller Clutch Water Proof Set
RD11651	Bail Spring Cover	RD16472	Washer	RD17078	Side Cover
RD11652	Bail Trip Lever	RD16587	Key Washer	RD17079	Handle Shank Assembly
RD11654	Bail Hold Support Guard	RD16974	O Ring	RD17080	Handle Knob
RD11656	Bail Hold Support Shaft	RD17001	Screw	RD17081	Handle Assembly
RD11657	Bail Hold Support Spacer	RD17023	Screw	RD17082	Main Shaft Assembly
RD11658	Rotor Guard	RD17024	Screw	RD17330	Eared Washer
RD11663	Friction Ring	RD17027	Screw		
RD11665	Bail Trip Strike	RD17028	Roller Clutch Water Proof Cover	RD14451	Line Band (accessory)