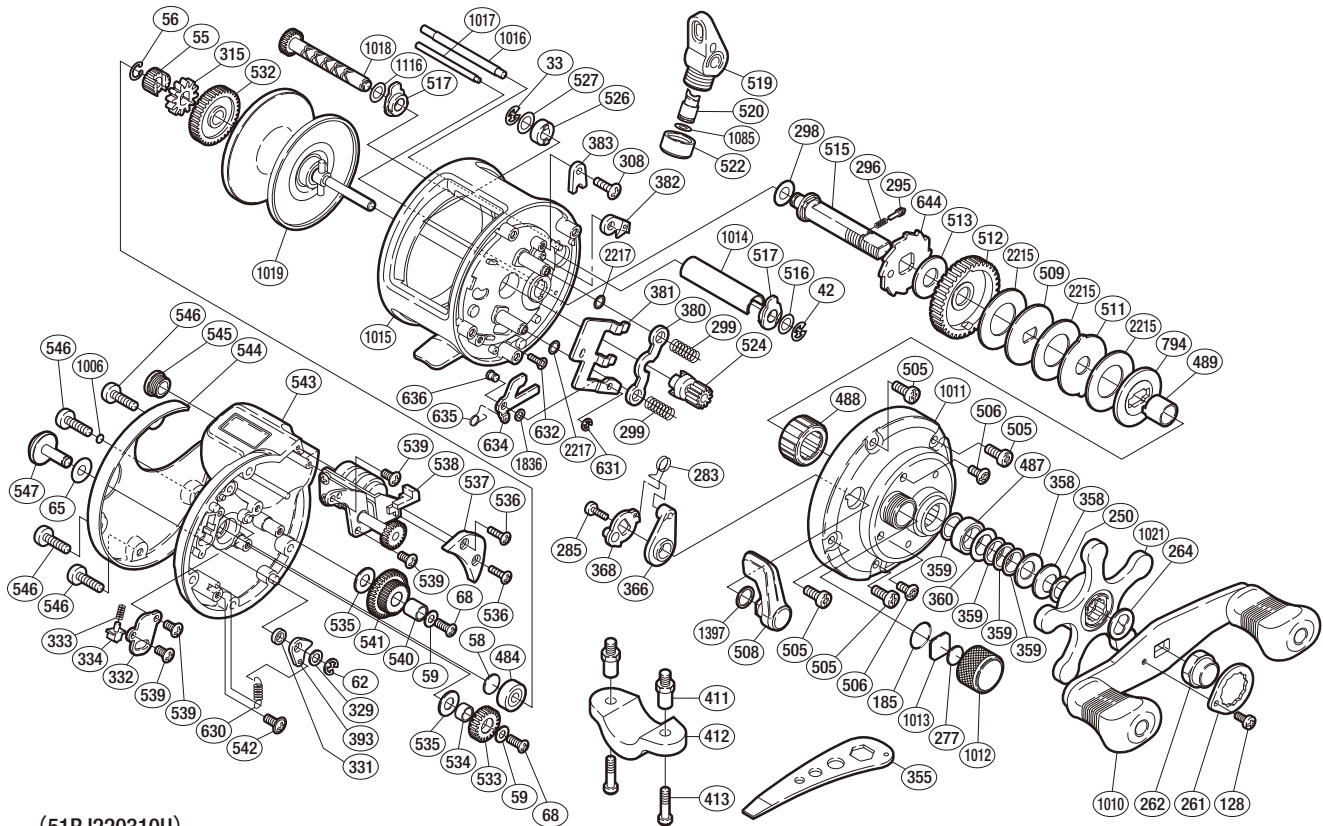


SHIMANO

TEKOTA A-RB

TEK-300LC



(51RJ220310U)

| Part No. | Description | Part No. | Description | Part No. | Description |
|----------|-----------------------|----------|--------------------------|----------|----------------------------|
| TGT0033 | E Lock | TGT0382 | Anti-Reverse Pawl | TGT0545 | Maintenance Cap |
| TGT0042 | E Lock | TGT0383 | Anti-Reverse Pawl Keeper | TGT0546 | Screw |
| TGT0055 | Idle Gear A | TGT0393 | Click Pawl | TGT0547 | Click Button |
| TGT0056 | C Lock | TGT0484 | Ball Bearing | TGT0630 | Click Pawl Spring |
| TGT0058 | Spacer B | TGT0487 | Ball Bearing | TGT0631 | E Lock |
| TGT0059 | Lock Washer | TGT0488 | Roller Clutch Bearing | TGT0632 | Screw |
| TGT0062 | E Lock | TGT0489 | Roller Clutch Inner Tube | TGT0634 | Clutch Pawl |
| TGT0065 | Washer | TGT0505 | Screw | TGT0635 | Clutch Pawl Spring |
| TGT0068 | Screw | TGT0506 | Screw | TGT0636 | Clutch Pawl Pin |
| TGT0128 | Screw | TGT0508 | Clutch Lever | TGT0644 | Anti-Reverse Ratchet |
| TGT0185 | O Ring | TGT0509 | Key Washer | TGT0794 | Key Washer |
| TGT0250 | Washer | TGT0511 | Eared Washer | TGT1006 | Spacer |
| TGT0261 | Handle Nut Plate | TGT0512 | Drive Gear | TGT1010 | Handle Assembly |
| TGT0262 | Handle Nut | TGT0513 | Drag Washer | TGT1011 | Right Side Plate |
| TGT0264 | Drive Shaft Shield | TGT0515 | Drive Shaft | TGT1012 | Cast Control Cap |
| TGT0277 | Cast Control Spacer | TGT0516 | Washer | TGT1013 | Spool Tension Spacer |
| TGT0283 | Clutch Spring | TGT0517 | Worm Bushing | TGT1014 | Level Wind Guard |
| TGT0285 | Screw | TGT0519 | Line Guide | TGT1015 | One-Piece Frame |
| TGT0295 | Click Pin | TGT0520 | Line Guide Pawl | TGT1016 | Stabilizer Bar A |
| TGT0296 | Click Spring | TGT0522 | Pawl Cap | TGT1017 | Stabilizer Bar B |
| TGT0298 | Washer | TGT0524 | Pinion Gear | TGT1018 | Worm Shaft |
| TGT0299 | Yoke Spring | TGT0526 | Drive Shaft Bushing | TGT1019 | Spool Assembly |
| TGT0308 | Screw | TGT0527 | Spacer | TGT1021 | Star Drag |
| TGT0315 | Click Gear | TGT0532 | Counter Gear A | TGT1085 | Spacer |
| TGT0329 | Spacer | TGT0533 | Idle Gear B | TGT1116 | Washer |
| TGT0331 | Click Pawl Spacer | TGT0534 | Idle Gear B Support | TGT1397 | Smoother |
| TGT0332 | Click Spring Retainer | TGT0535 | Spacer | TGT1836 | Washer |
| TGT0333 | Click Spring | TGT0536 | Screw | TGT2215 | Drag Washer |
| TGT0334 | Click Spring Holder | TGT0537 | Left Side Plate Seal | TGT2217 | Washer |
| TGT0358 | Coned Disc Spring | TGT0538 | Counter Assembly | | |
| TGT0359 | Washer | TGT0539 | Screw | | |
| TGT0360 | Bearing Seal | TGT0540 | Idle Gear D Support | TGT0411 | Rod Clamp Nut (accessory) |
| TGT0366 | Eccentric Cam Bushing | TGT0541 | Idle Gear D | TGT0412 | Rod Clamp (accessory) |
| TGT0368 | Clutch Cam | TGT0542 | Screw | TGT0413 | Rod Clamp Bolt (accessory) |
| TGT0380 | Yoke | TGT0543 | Left Side Plate | | |
| TGT0381 | Yoke Plate | TGT0544 | Left Side Plate Cover | TGT0355 | Wrench (accessory) |