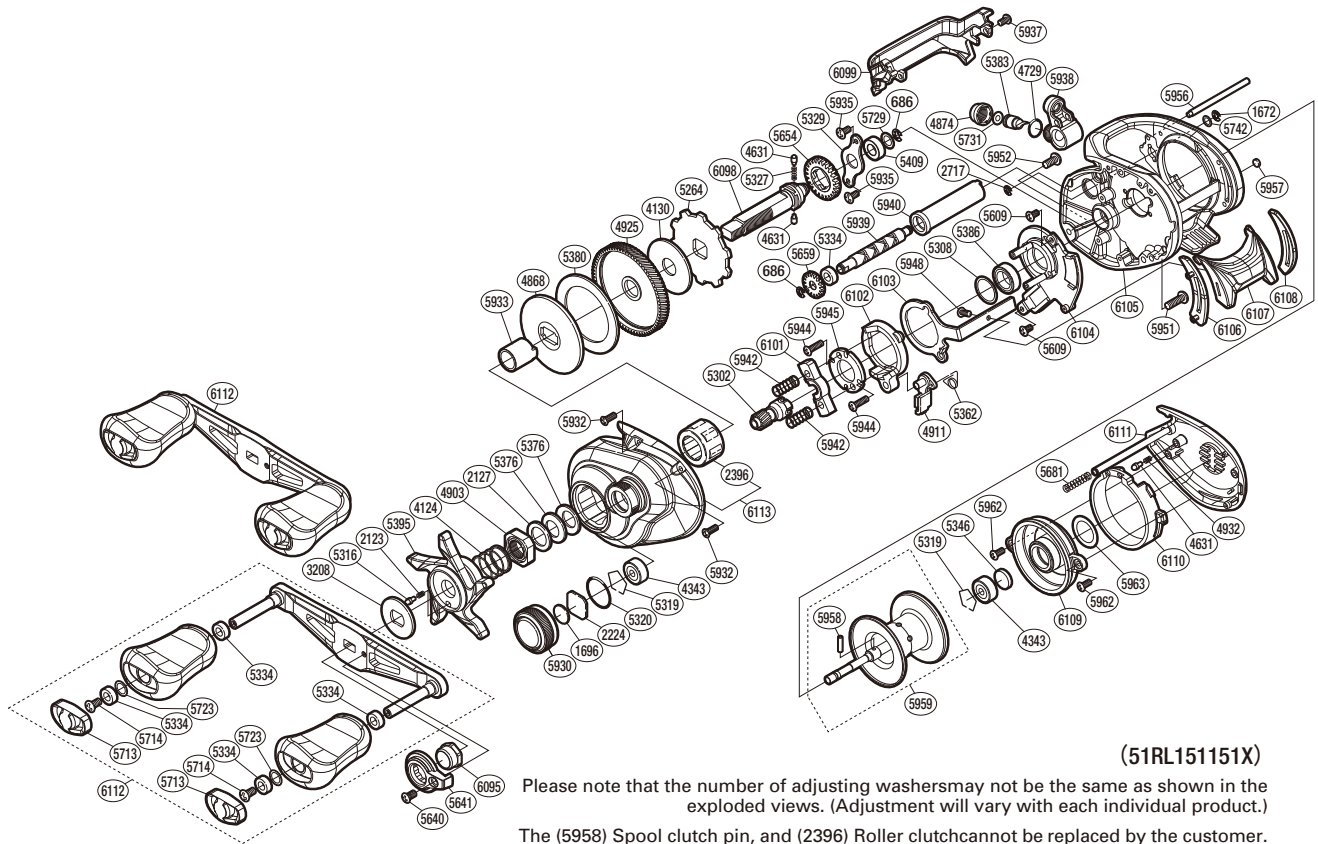


# SHIMANO

**SLX** SA-RB

**SLX151HG**



(51RL151151X)

Please note that the number of adjusting washers may not be the same as shown in the exploded views. (Adjustment will vary with each individual product.)

The (5958) Spool clutch pin, and (2396) Roller clutch cannot be replaced by the customer. To replace these parts, please request after-sales service.

Part No.	Description	Part No.	Description	Part No.	Description
BNT0686	E Lock	BNT5346	Spacer B	BNT5944	Screw
BNT1672	E Lock	BNT5362	Clutch Pawl Spring	BNT5945	Clutch Cam Retainer
BNT1696	Cast Control Spacer B	BNT5376	Drag Spring Washer	BNT5948	Screw
BNT2123	Click Spring	BNT5380	Drag Washer	BNT5951	Screw
BNT2127	Star Drag Spacer	BNT5383	Line Guide Pawl	BNT5952	Screw
BNT2224	Spool Tension Spacer A	BNT5386	Ball Bearing	BNT5956	Stabilizer Bar
BNT2396	Roller Clutch Bearing	BNT5395	Star Drag	BNT5957	Washer
BNT2717	E Lock	BNT5409	Drive Shaft Bushing	BNT5958	Spool Clutch Pin
BNT3208	Star Drag Click Plate	BNT5609	Screw	BNT5959	Spool Assembly
BNT4124	Star Drag Spring	BNT5640	Screw	BNT5962	Screw
BNT4130	Drag Washer	BNT5641	Handle Nut Plate	BNT5963	Washer
BNT4343	Ball Bearing	BNT5654	Idle Gear	BNT6095	Handle Nut
BNT4631	Idle Gear Pin	BNT5659	Idle Gear	BNT6098	Drive Shaft
BNT4729	O Ring	BNT5681	Spring	BNT6099	Level Wind Protector
BNT4868	Key Washer	BNT5713	Handle Knob Seal	BNT6101	Yoke
BNT4874	Pawl Cap	BNT5714	Screw	BNT6102	Clutch Cam
BNT4903	Star Drag Nut	BNT5723	Washer	BNT6103	Clutch Plate
BNT4911	Clutch Pawl	BNT5729	Washer	BNT6104	Clutch Guard Assembly
BNT4925	Drive Gear	BNT5731	Washer	BNT6105	Frame
BNT4932	Click Spring	BNT5742	Washer	BNT6106	Clutch Bar Guide B
BNT5264	Anti-Reverse Ratchet	BNT5930	Cast Control Cap	BNT6107	Clutch Button
BNT5302	Pinion Gear	BNT5932	Screw	BNT6108	Clutch Bar Guide A
BNT5308	Washer	BNT5933	Roller Clutch Inner Tube	BNT6109	Dial Case
BNT5316	Click Pin	BNT5935	Screw	BNT6110	Right Side Plate Cam Lever
BNT5319	Bearing Retainer	BNT5937	Screw	BNT6111	Right Side Plate Assembly
BNT5320	O Ring	BNT5938	Line Guide Assembly	BNT6112	Handle Assembly
BNT5327	Idle Gear Spring	BNT5939	Worm Shaft	BNT6113	Left Side Plate Assembly
BNT5329	Drive Shaft Retainer	BNT5940	Level Wind Guard		
BNT5334	Bushing	BNT5942	Yoke Spring	BNT4692	B-100 Oil (Accessory)