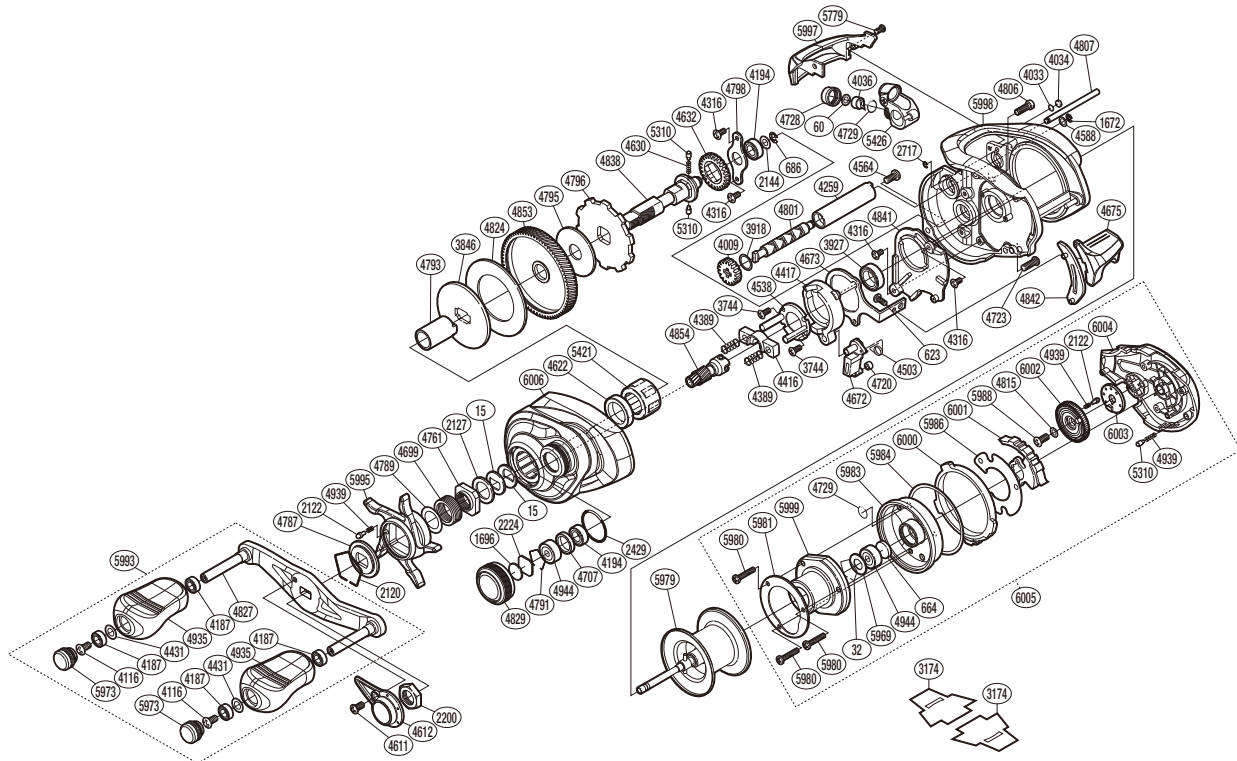


SHIMANO

Metanium DC SA-RB

META-DC-XGL



(51RL163000X) Please note that the number of adjusting washers may not be the same as shown in the exploded views. (Adjustment will vary with each individual product.)

Part No.	Description	Part No.	Description	Part No.	Description
BNT0015	Drag Spring Washer	BNT4538	Clutch Cam Retainer	BNT4842	Clutch Bar Guide
BNT0032	Bearing Retainer	BNT4564	Screw	BNT4853	Drive Gear
BNT0060	Spacer	BNT4588	Washer	BNT4854	Pinion Gear
BNT0623	Screw	BNT4611	Screw	BNT4935	Handle Knob
BNT0664	Spacer B	BNT4612	Handle Retainer	BNT4939	Click Spring
BNT0686	E Lock	BNT4622	Drive Shaft Holder Bushing	BNT4944	Ball Bearing
BNT1672	E Lock	BNT4630	Idle Gear Spring	BNT5310	Idle Gear Pin
BNT1696	Cast Control Spacer	BNT4632	Idle Gear	BNT5421	Roller Clutch Bearing
BNT2120	Click Plate Retainer	BNT4672	Clutch Pawl	BNT5426	Line Guide Assembly
BNT2122	Click Pin	BNT4673	Clutch Plate	BNT5779	Screw
BNT2127	Star Drag Spacer	BNT4675	Quick-Fire li Clutch Bar	BNT5969	Bearing Seal
BNT2144	Drive Shaft Washer	BNT4699	Star Drag Spring	BNT5973	Handle Knob Seal
BNT2200	Handle Nut	BNT4707	Bearing Spacer	BNT5979	Spool Assembly
BNT2224	Spool Tension Spacer	BNT4720	Clutch Pawl Bushing	BNT5980	Screw
BNT2429	O Ring	BNT4723	Screw	BNT5981	Substrate Plate
BNT2717	E Lock	BNT4728	Pawl Cap	BNT5983	Dial Case
BNT3744	Screw	BNT4729	O Ring	BNT5984	Washer
BNT3846	Key Washer	BNT4761	Star Drag Nut	BNT5986	Washer
BNT3918	Washer	BNT4787	Star Drag Click Plate	BNT5988	Screw
BNT3927	Ball Bearing	BNT4789	Washer	BNT5993	Handle Assembly
BNT4009	Idle Gear	BNT4791	Bearing Retainer	BNT5995	Star Drag
BNT4033	Washer	BNT4793	Roller Clutch Inner Tube	BNT5997	Level Wind Protector
BNT4034	Anti-Thrust Washer	BNT4795	Drag Washer	BNT5998	Frame Assembly
BNT4036	Line Guide Pawl	BNT4796	Anti-Reverse Ratchet	BNT5999	B Side Plate Substrate
BNT4116	Screw	BNT4798	Drive Shaft Retainer	BNT6000	Side Plate Cam Lever
BNT4187	Ball Bearing	BNT4801	Worm Shaft	BNT6001	Magnet Cam Assembly
BNT4194	Ball Bearing	BNT4806	Screw	BNT6002	Br Dial Assembly
BNT4259	Level Wind Guard	BNT4807	Level Wind Guide	BNT6003	Click Ring
BNT4316	Screw	BNT4815	Washer	BNT6004	Right Side Plate
BNT4389	Yoke Spring	BNT4824	Drag Washer	BNT6005	Right Side Plate Assembly
BNT4416	Yoke	BNT4827	Handle Shank Assembly	BNT6006	Left Side Plate Assembly
BNT4417	Clutch Cam	BNT4829	Cast Control Cap		
BNT4431	Washer	BNT4838	Drive Shaft		
BNT4503	Clutch Pawl Spring	BNT4841	Clutch Guard	BNT3174	Reel Seat Spacer (accessory)