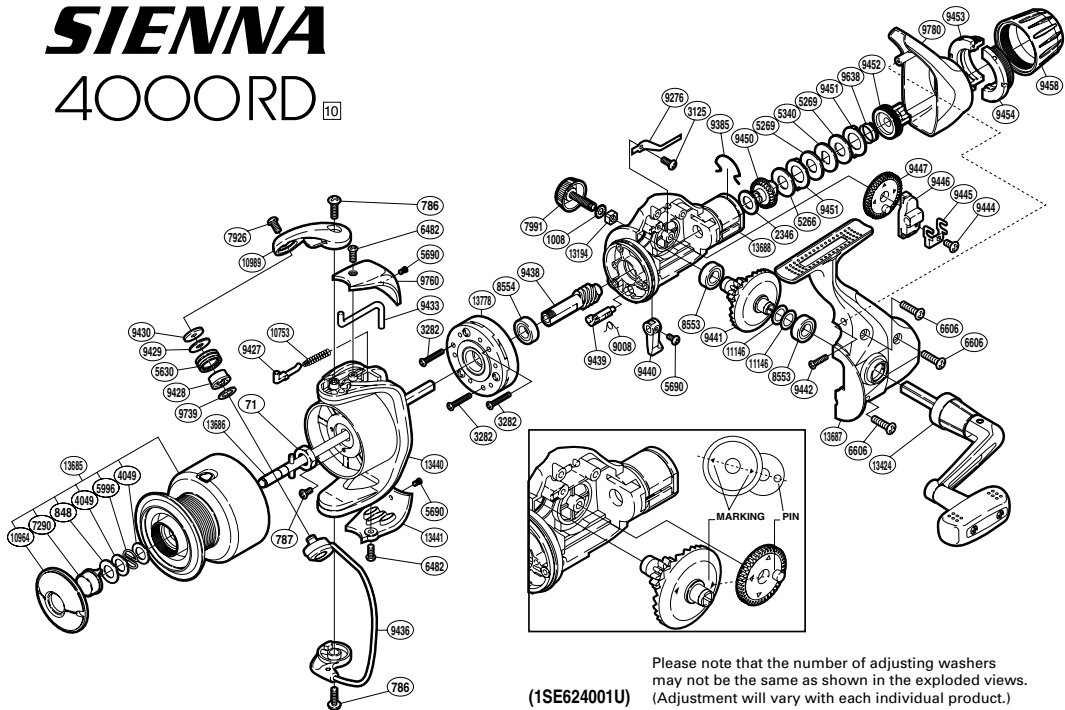


SIENNA

4000RD 10



Please note that the number of adjusting washers may not be the same as shown in the exploded views. (Adjustment will vary with each individual product.)

(1SE624001U)

RD No.	PARTS NAMES	RD No.	PARTS NAMES	RD No.	PARTS NAMES
0071	Rotor Nut	8554	Ball Bearing	9452	Pressure Screw
0786	Screw	9008	Anti-Reverse Cam Spring	9453	Drag Programmer B1
0787	Screw	9276	Drag Click	9454	Drag Programmer B2
0848	Washer	9385	Hold Click Spring	9458	Drag Programmer A
1008	Handle Lock Washer	9427	Bail Spring Guide	9638	Drag Coil Spring
2346	Drag Washer	9428	Line Roller Bushing	9739	Bearing Spacer
3125	Screw	9429	Line Roller Spacer	9760	Bail Spring Cover
3282	Screw	9430	Line Roller Washer	9780	Rear Protector
4049	Washer	9433	Bail Trip Lever	10753	Bail Spring
5266	Drag Washer	9436	Bail Assembly	10964	Push Button Collar
5269	Drag Washer	9438	Pinion Gear	10989	Bail Arm
5340	Key Washer	9439	Anti-Reverse Cam	11146	Washer
5630	Line Roller	9440	Anti-Reverse Lever	13194	Handle Screw Lock
5690	Screw	9441	Drive Gear	13424	Handle Assembly
5996	Locking Spring	9442	Screw	13440	Rotor
6482	Screw	9444	Screw	13441	Bail Hold Support Guard
6606	Screw	9445	Oscillating Slider Retainer	13685	Spool Assembly
7290	Push Button	9446	Oscillating Slider	13686	Main Shaft
7926	Screw	9447	Oscillating Gear	13687	Side Cover
7991	Handle Screw Cap	9450	Drag Shaft	13688	Body
8553	Ball Bearing	9451	Eared Washer	13778	Roller Clutch Assembly