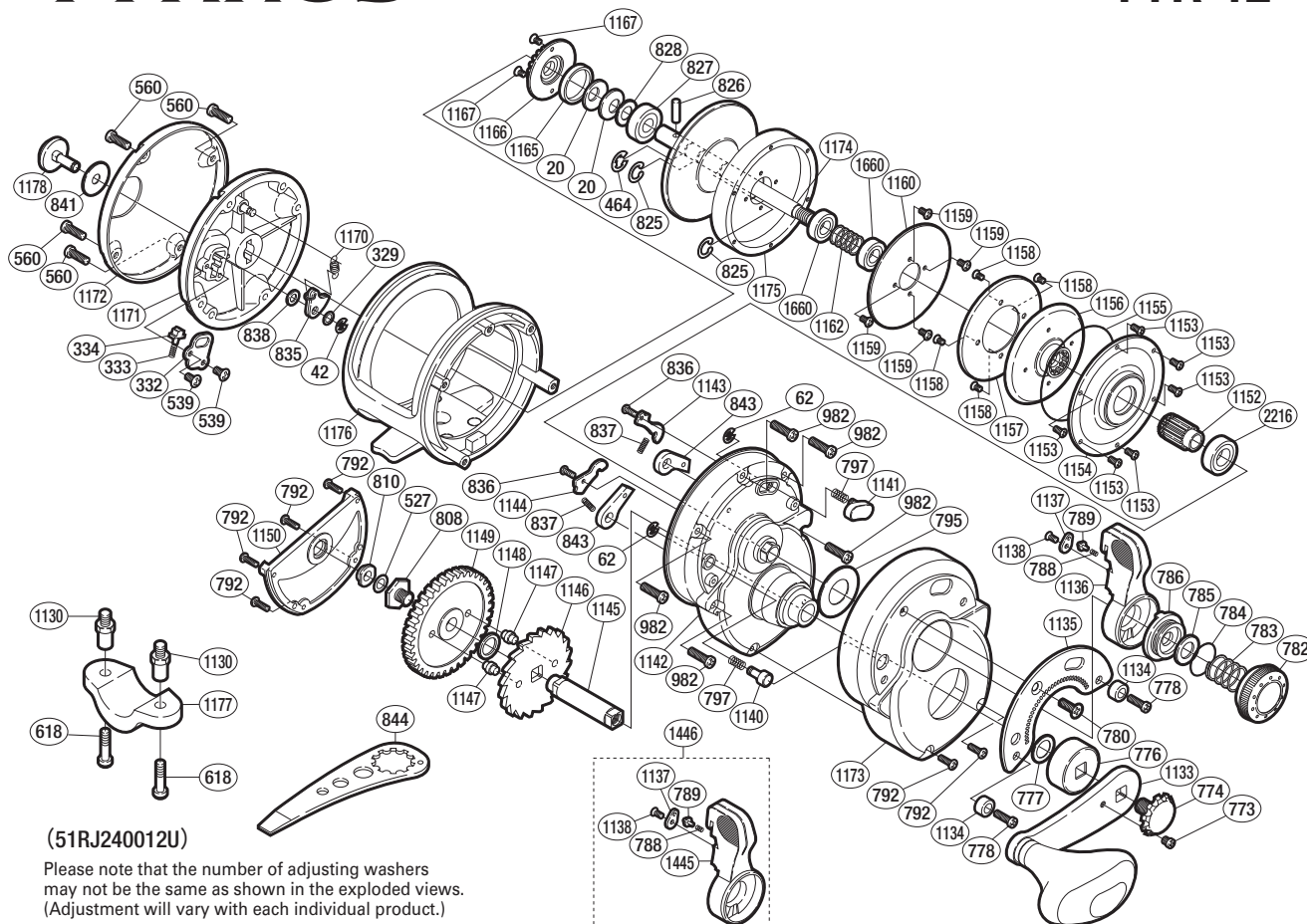


SHIMANO

TYRNOS

TYR-12



(51RJ240012U)

Please note that the number of adjusting washers may not be the same as shown in the exploded views. (Adjustment will vary with each individual product.)

| Part No. | Description | Part No. | Description | Part No. | Description |
|----------|--------------------------|----------|-----------------------------|----------|-------------------------------------|
| TGT0020 | Coned Disc Spring | TGT0826 | Cross Pin | TGT1155 | O Ring |
| TGT0042 | E Lock | TGT0827 | Ball Bearing | TGT1156 | Pinion Guard |
| TGT0062 | E Lock | TGT0828 | Bearing Thrust Washer | TGT1157 | Drag Plate |
| TGT0329 | Spacer | TGT0835 | Click Pawl | TGT1158 | Screw |
| TGT0332 | Click Spring Retainer | TGT0836 | Screw | TGT1159 | Screw |
| TGT0333 | Click Spring | TGT0837 | Anti-Reverse Pawl Spring | TGT1160 | Drag Washer |
| TGT0334 | Click Spring Holder | TGT0838 | Spacer | TGT1162 | Pressure Release Spring |
| TGT0464 | E Lock | TGT0841 | Click Button Spacer | TGT1165 | Click Gear Spacer |
| TGT0527 | Spacer | TGT0843 | Anti-Reverse Pawl | TGT1166 | Click Gear |
| TGT0539 | Screw | TGT0982 | Screw | TGT1167 | Screw |
| TGT0560 | Screw | TGT1133 | Handle | TGT1170 | Click Pawl Spring |
| TGT0773 | Screw | TGT1134 | Screw Shield | TGT1171 | Left Side Plate |
| TGT0774 | Handle Bolt | TGT1135 | Lever Quadrant | TGT1172 | Left Side Plate Cover |
| TGT0776 | Gear Shaft Shield | TGT1136 | Drag Control Lever | TGT1173 | Right Side Plate Cover |
| TGT0777 | Gear Shaft Thrust Washer | TGT1137 | Lever Click Cover | TGT1174 | Spool Shaft |
| TGT0778 | Screw | TGT1138 | Screw | TGT1175 | Spool |
| TGT0780 | Screw | TGT1140 | Free Spool Detent | TGT1176 | One-Piece Frame |
| TGT0782 | Pre-Program Dial | TGT1141 | Strike Stop | TGT1178 | Click Button |
| TGT0783 | Dial Spring | TGT1142 | Right Side Plate | TGT1660 | Ball Bearing |
| TGT0784 | O Ring | TGT1143 | Anti-Reverse Pawl Keeper A | TGT2216 | Ball Bearing |
| TGT0785 | Drag Cam Washer | TGT1144 | Anti-Reverse Pawl Keeper B | | |
| TGT0786 | Lever Shaft Body | TGT1145 | Drive Shaft | | |
| TGT0788 | Lever Click Shoe | TGT1146 | Anti-Reverse Ratchet | TGT0618 | Rod Clamp Bolt (accessory) |
| TGT0789 | Lever Click | TGT1147 | Anti-Reverse Ratchet Pin | TGT1130 | Rod Clamp Nut (accessory) |
| TGT0792 | Screw | TGT1148 | Anti-Reverse Ratchet Spacer | TGT1177 | Rod Clamp (accessory) |
| TGT0795 | Lever Thrust Ring | TGT1149 | Drive Gear | | |
| TGT0797 | Pressure Spring | TGT1150 | Right Side Seal | TGT0844 | Wrench (accessory) |
| TGT0808 | Drive Shaft Screw | TGT1152 | Pinion Gear | | |
| TGT0810 | Drive Shaft Bushing | TGT1153 | Screw | TGT1445 | Drag Control Lever (accessory) |
| TGT0825 | C Lock | TGT1154 | Cooling Shield | TGT1446 | Drag Control Lever Unit (accessory) |