

*the beach people*

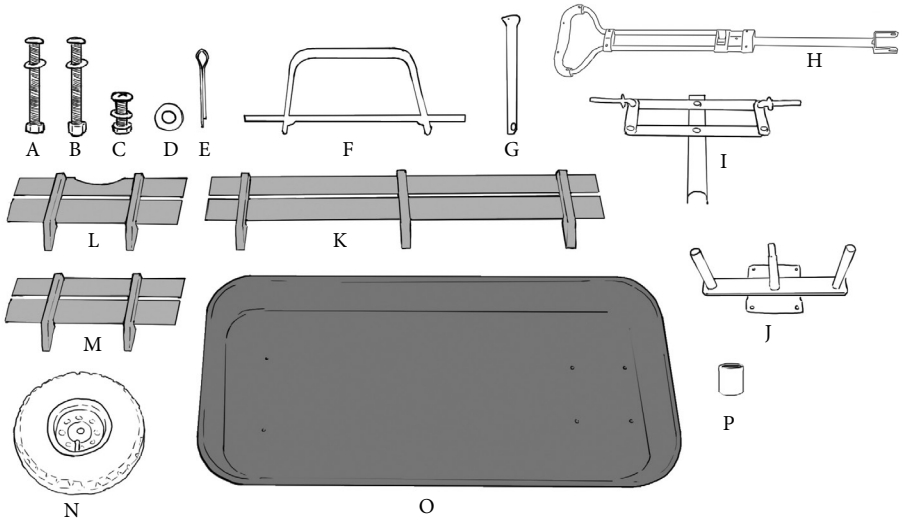


## BEACH CART ASSEMBLY INSTRUCTIONS

---

*Carefully read and understand this owner's manual. Failure to follow these instructions may result in property damage and/or personal injuries.*

# PARTS LIST



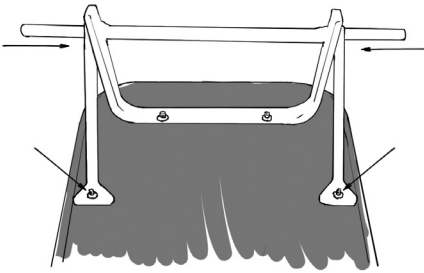
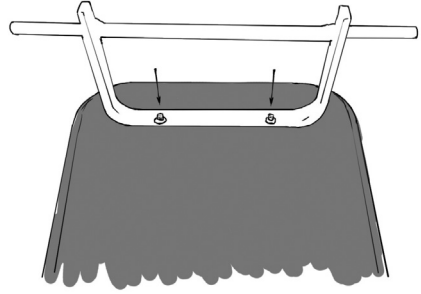
PART	DESCRIPTION	QTY
A	6mm diameter x 5cm long slotted head bolt, washer and nut	1
B	6mm diameter x 4.5cm long phillips head bolt, washer and nut	10
C	6mm diameter x 1.5cm long phillips head bolt, washer and nut	8
D	16 mm flat washer	5
E	Cotter pin	5
F	Rear axel	1
G	Rear axel support	2
H	Pull handle	1
I	Front axel	1
J	Front axel support	1
K	Side wood panels	2
L	Front wood panel	1
M	Back wood panel	1
N	10" x 3.50-4 Pneumatic tires/inner tube/rim	4
O	Wagon tray	1
P	Metal spacer	2

## TOOLS REQUIRED (not included):

#2 Phillips screwdriver, slotted screwdriver, 10mm wrench, long-nose pliers and an adjustable wrench.

## STEP 1

Locate the wagon tray (O) and rear axle (F). Using bolts, washers and nuts (C) attach rear axle to the wagon tray. Washers and nuts should be on the under side of the wagon. Tighten nuts and bolts using #2 Phillips screwdriver and 10mm wrench.

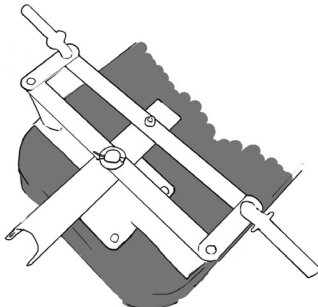
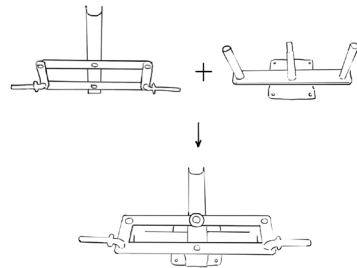


## STEP 2

Slide rear axle supports (G) onto the axles and attach to wagon tray (O) using bolts, washers and nuts (C). Tighten nuts and bolts with #2 Phillips screwdriver and 10mm wrench.

## STEP 3

Install front axle (I) onto front axle support (J) and secure them with a flat washer (D) and a cotter pin (E) making sure to bend both ends of each pin so that you form a butterfly shape.

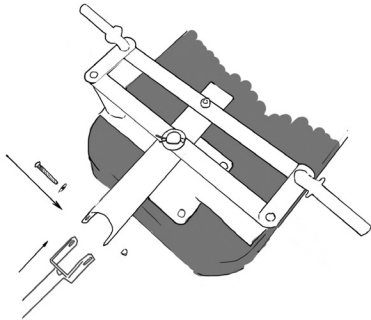
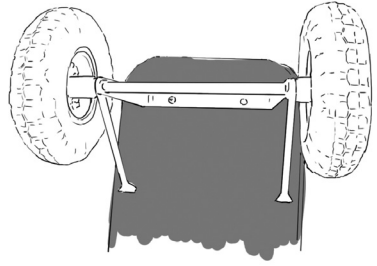


## STEP 4

Connect entire front axle assembly to the wagon tray (O) using bolts, washers and nuts (C). Tighten bolts with #2 Phillips screwdriver and 10mm wrench.

## STEP 5

Place a metal spacer (P) then tires (N) to rear axel assembly using cotter pins (E) and 16mm flat washers (D). First slide tire onto the axel. Next, insert 16mm flat washer and secure with cotter pin making sure to bend both ends of each pin to protect against its sharp edges. Repeat this process to attach the tires to the front axel assembly.

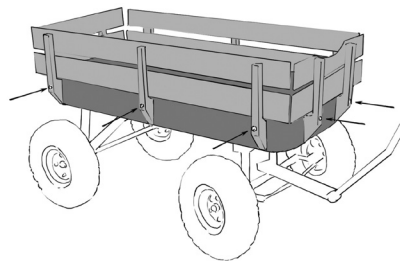


## STEP 6

Attach pull handle (H) to front axel assembly using slotted head bolt, washer and nut (A). Tighten nut and bolt using flat screwdriver and 10mm wrench.

## STEP 7

Attach wood panels (K,L,M) to the front, rear and sides of the wagon using bolts, washers and nuts (B). The wood panels mount to the outside of the wagon tray. (Note: The bolt should be inserted from the inside of the wagon with the nuts on the outside). Tighten nuts and bolts using #2 Phillips screwdriver and 10mm wrench. Be sure not to over tighten the nuts and this could push the bolt through the cap.



### WARNING (NOT FOR CHILDREN UNDER 18 MONTHS OF AGE)

Adult supervision is always required while this wagon is being used by children.

- Do not over inflate pneumatic tires. Follow the tire pressure guidelines listed on the tire. (25 psi cold)
- Do not use wagon if one or more tires is not properly inflated.
- Do not use wagon near or on stairs, or leave wagon unattended on steep slopes.
- Do not ride in wagon down slopes or up steep inclines.
- Do not stand up in wagon or ride wagon standing.
- Be extremely careful when operating the wagon on rough terrain or turning sharply.

### CAUTION

- Adult assembly required.
- An adult should inspect the wagon periodically to check for loose fasteners or damaged components and fix or replace the part(s).
- Make sure all exposed screw ends are capped to prevent possible injury.
- At the assembly process, make sure all cotter pins have been bent into a butterfly shape to prevent possible injury.
- Maximum load weight of 130kg
- Always use in a safe manner. Avoid use in public streets or in places of high traffic.
- Do not operate the wagon if any parts are missing or need to be replaced. Failure to follow this warning could result in serious personal injury.