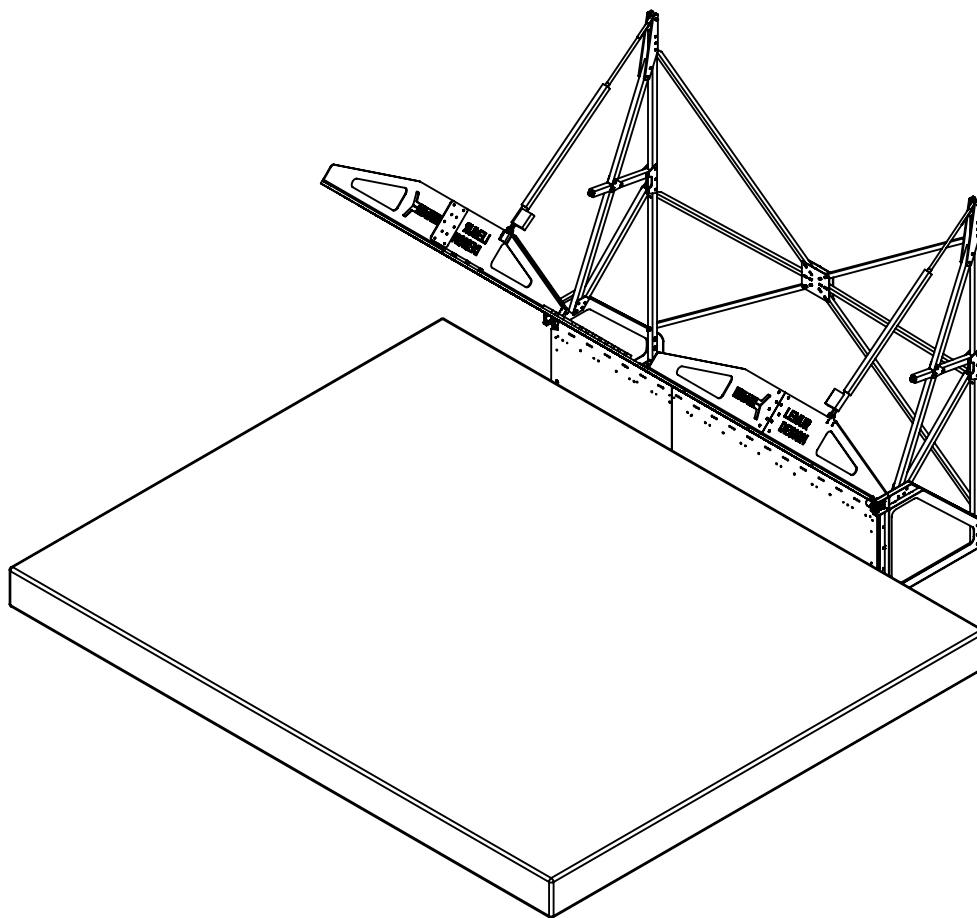


2

1

B

B



A

A

LEMUR  
DESIGN

SPEC\_SHEET\_LEMUR\_12x12

SCALE 1:60

REV A

SHEET 1 OF 3

2

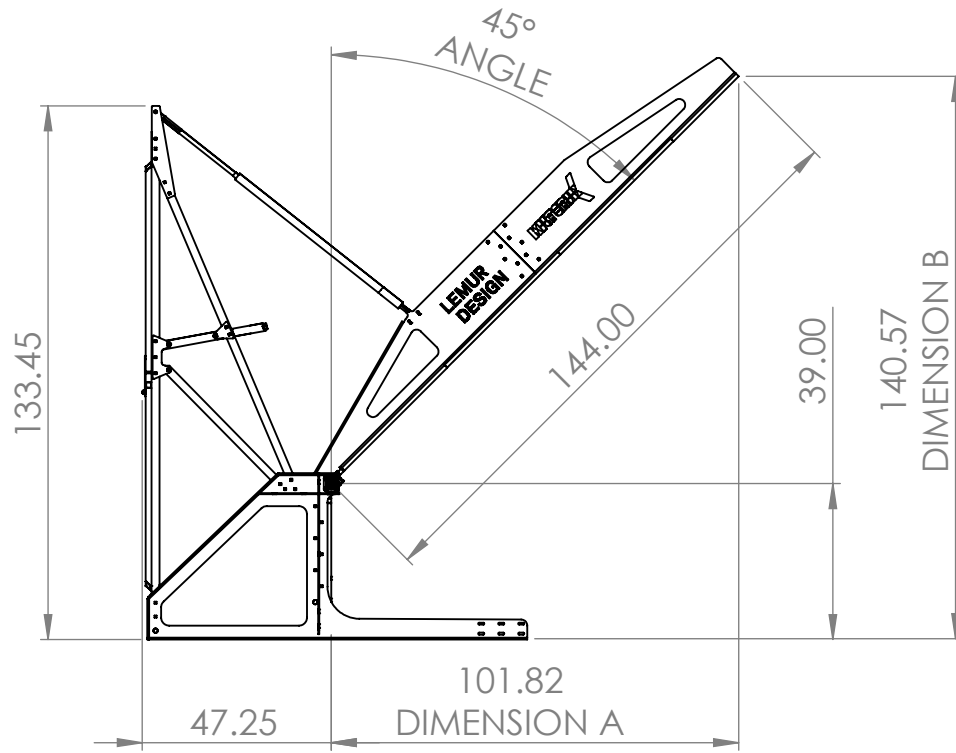
1

2

1

B

B



ANGLE	DIMENSION A	DIMENSION B
0	0	183
5	13	182
10	25	181
15	37	178
20	49	174
25	61	170
30	72	164
35	83	157
40	93	149
45	102	141
50	110	132
55	118	122
60	125	111
65	131	100
70	135	88

A

A

LEMUR  
DESIGN

SPEC\_SHEET\_LEMUR\_12x12

SCALE 1:48

REV A

SHEET 2 OF 3

2

1

2

1

B

B

144.00

144

39.00

A

A

LEMUR  
DESIGN

SPEC\_SHEET\_LEMUR\_12x12

SCALE 1:48

REV A

SHEET 3 OF 3

2

1