



USPA • PRO

OWNER'S MANUAL

UB-6800H, UB-6800HS



TABLE OF CONTENTS

4 - 9 **PRODUCT INFORMATION**

Important Safeguards
Safety Information
Main Unit & Parts

10 - 21 **INSTALLATION**

Installation Guide
How To Use

22 - 28 **SETTINGS**

Cleaning The Product
Maintenance
Troubleshooting Guide
Specifications

29 - 30 **WARRANTY**

Warranty

IMPORTANT SAFEGUARDS

READ & SAVE ALL OPERATING INSTRUCTIONS BEFORE INSTALLATION

NOTES

1. This product should be installed according to this manual.
2. Read this manual carefully and install it properly.
3. Keep this instruction manual in an easily accessible place.
4. Do not attempt to service this appliance yourself.

DANGER & WARNING - Reduces the risk of burns, electric shock, fire, or injury.

1. Close supervision is necessary when this appliance is used by or near infants, elders, or handicapped persons. Children should not be permitted to use or touch this appliance without adult supervision. Be sure to adjust the toilet seat temperature for elders or people with sensitive skin.
2. Use this appliance only for its intended purpose as described in this manual. Only use attachments recommended by the manufacturer.
3. Do not place or store this appliance in a location where it can fall or be pulled into a tub or sink.
4. Do not operate this appliance if the cord is damaged or if the product is dropped into water.
5. Do not touch a product that has fallen into the water. Unplug immediately.
6. Install the unit properly by following the installation procedure.
7. Keep the cord away from heated surfaces.
8. Never drop or insert any objects into any opening or hose.
9. Do not use outdoors.
10. Do not use aerosol or oxygen spray products on the unit.

SAFETY INFORMATION

DANGER - FOLLOW THESE BASIC INSTRUCTIONS TO ENSURE THE SAFE USE OF YOUR APPLIANCE.

- **Do not use a faulty or loose electric outlet or cord.**
Doing so may result in a short circuit, electric shock, or fire.
- **Do not obstruct the warm air dryer outlet.**
If the outlet is obstructed by any objects, it may result in fire. If the outlet is obstructed with hands, it may result in injury.
- **Do not throw anything flammable into the toilet.**
Doing so may result in fire.
- **Do not splash water on this product.**
Doing so may result in fire or electric shock.
- **This product must be grounded.**
Not doing so may result in a short circuit, electric shock, or malfunction.
- **Do not use too many appliances on one power strip.**
Doing so may result in fire or damage. Be sure to use a dry and clean outlet. Do not use a faulty or loose outlet.
- **Plug and unplug properly.**
Do not plug or unplug with wet hands. It may result in injury or a short circuit. Do not grab the cord when unplugging. Pull out the plug properly.
- **Do not use the power when the seat and lid are disassembled.**
Doing so may result in electric shock due to high voltage inside.
- **Unplug when beeping or emitting a strange odor.**
Unplug right away. Contact your dealer where you bought this appliance.
- **Do not disassemble, repair, or modify this appliance.**
Doing so may result in fire or electric shock.
- **Dispose of used batteries according to the instructions.**

SAFETY INFORMATION

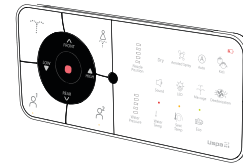
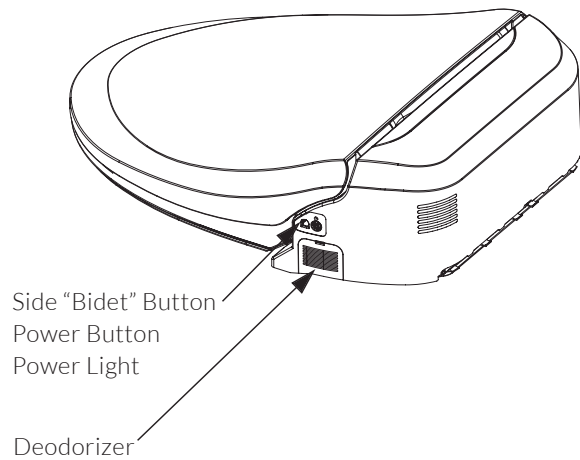
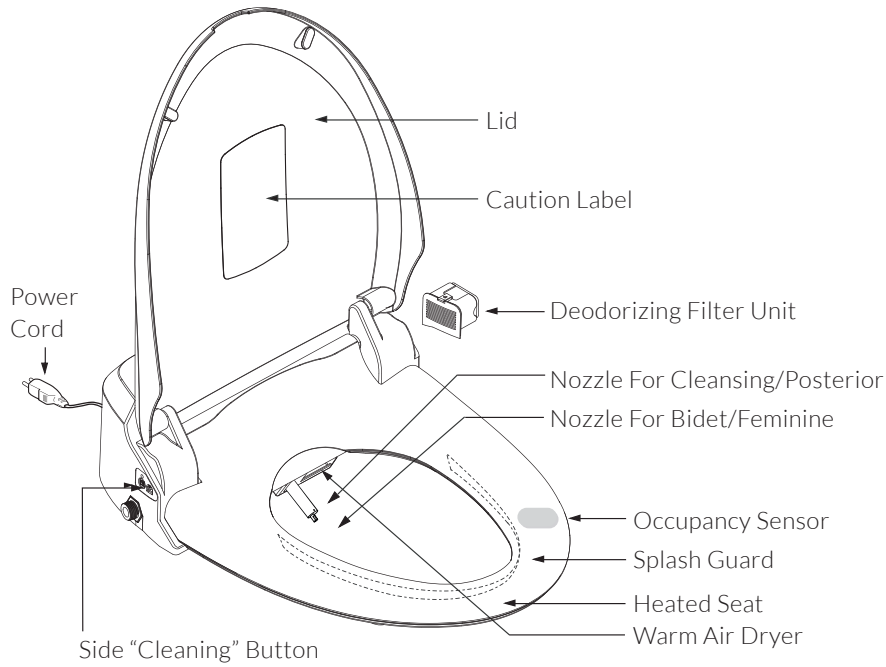
WARNING - FOLLOW THESE BASIC INSTRUCTIONS TO ENSURE THE SAFE USE OF YOUR APPLIANCE.

- **Do not step on or place heavy objects on this appliance.**
Doing so may damage the unit.
Doing so may result in a malfunction of the appliance.
- **Do not force the lid to close.**
Doing so may cause malfunction.
- **Be aware of urine splash on a nozzle or a dry air outlet.**
Doing so may result in an unpleasant odor or failure of the appliance.
- **Do not sit or lean against the lid or control panel.**
Doing so may cause malfunction or breakage.
- **Unplug if you do not plan to use the product for a long period of time.**
- **Do not pull out the water hose forcefully.**
Doing so may cause water leakage.
- **Use this appliance on a toilet only.**
Not doing so may result in fire, injury, or electric shock.
- **Do not place objects or small materials on this appliance.**

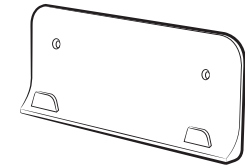
- **Be aware of low-grade burns.**
Sitting on the heated seat for a long time may result in a low-grade burn.
Use care when being used by the following: Children, senior citizens, patients, or others who can not control the temperature level. Sleeping pill users or people who are on medication that causes drowsiness. Those who are intoxicated or very tired, and may fall asleep while sitting on the unit.
- **Unplug when cleaning.**
Not doing so may result in fire or electric shock.
- **Use the low temperature for children and people with disabilities.**
Not doing so may cause irritation or injury.

WARNING: Risk of electric shock, fire, or personal injury. This product must be grounded and connected only to a dedicated, nominal 120 VAC, 60 Hz circuit protected by a minimum 15 A Ground-Fault Circuit-Interrupter (GFCI)

MAIN UNIT & PARTS



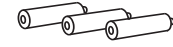
Remote Control



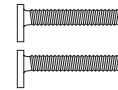
Remote Control Bracket



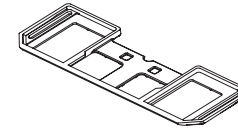
2 Screws



3 AAA Batteries



2 Mounting Bolts



Mounting Plate



2 Bolt Guides



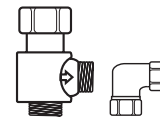
2 Washers



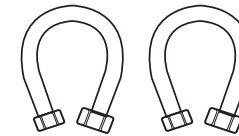
2 Cone Packings



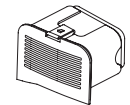
2 Nuts



T-Valve & L-Valve



2 Water Supply Hoses (15mm)
(7/8" to 3/8" & 1/2" to 1/2")



Deodorizing Filter
(Equipped with unit)

INSTALLATION GUIDE

CAUTION - Do not plug in until installation is finished. Not doing so may cause damage.

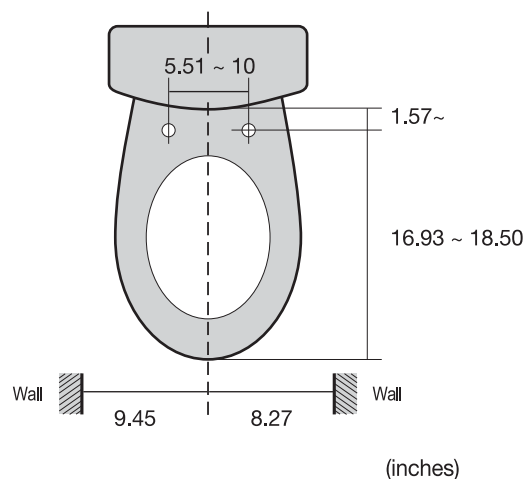
If electric work is needed, please contact a qualified electrician or serviceman only.

Remove the Existing Toilet Lid and Seat

1. Remove the nuts, washers, and cone packings from the toilet seat and mounting bolts in the back of the toilet.
2. Remove the toilet seat, lid, and mounting bolts.
3. Keep them for potential future use.

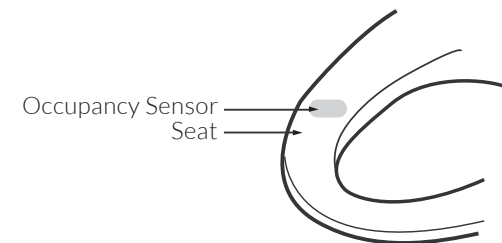
Toilet Size (Elongated & Round Front)

- The toilet dimensions must be within those shown below. Do not install this appliance on a toilet that does not meet these dimensional requirements.



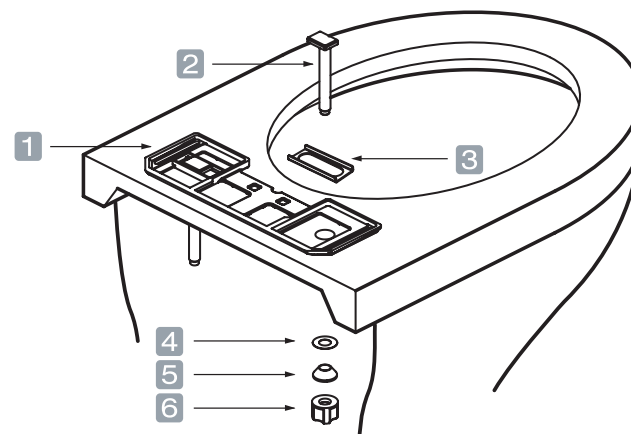
Occupancy Sensor

- This appliance is equipped with an occupancy sensor.
- The unit will not work unless the seat is occupied.



Mounting the Plate

Place the mounting plate over each mounting hole. Insert the mounting bolts through the plate and mounting holes. Slide the cone packings and washers onto the bolts and fasten tightly with nuts.



1 Mounting plate
4 Washer

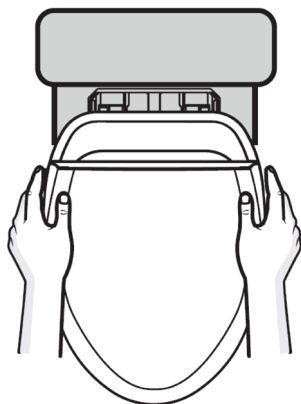
2 Mounting bolt
5 Cone packing

3 Guide
6 Nut

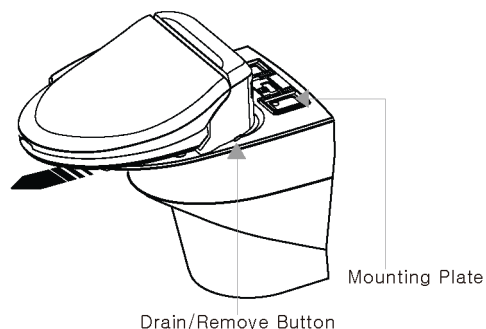
INSTALLATION GUIDE

Attaching and Detaching Unit

1. Slide the unit until it clicks into the plate.



2. Press and hold the drain/remove button and pull forward.



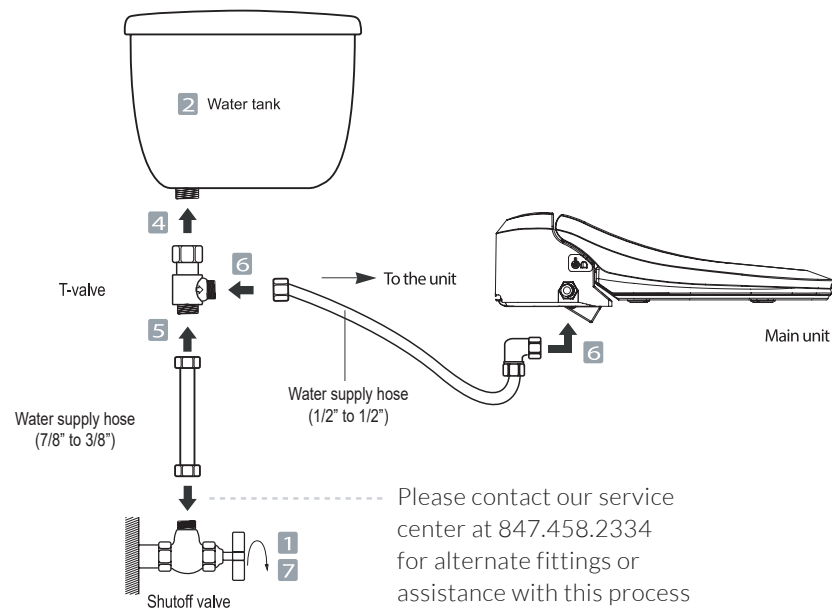
Using Inline Carbon Filter

The use of an external inline carbon water filter is not required unless the unit is used in an area with extreme hardwater. If a carbon filter is used, the filter must be replaced every 6 months. Inline carbon filters can be purchased from Bio Bidet. Use of non Bio Bidet filter is prohibited and will void the warranty of the associated products.

Connecting the Water Hose

*Shutoff valve may vary. If supplied parts do not fit, please call 847.458.2334

1. Close the shutoff valve by turning it clockwise.
2. Flush the toilet to empty the water tank.
3. Remove the existing water supply hose from the water tank.
4. Install the T-valve on the water tank.
5. Connect the water supply hose (7/8" to 3/8") from the T-valve to the shutoff valve.
6. Connect the other water supply hose (1/2" to 1/2") from the T-valve to the bidet seat.
7. Open the shutoff valve by turning it counter clockwise.
8. Check for any water leaking or dripping.

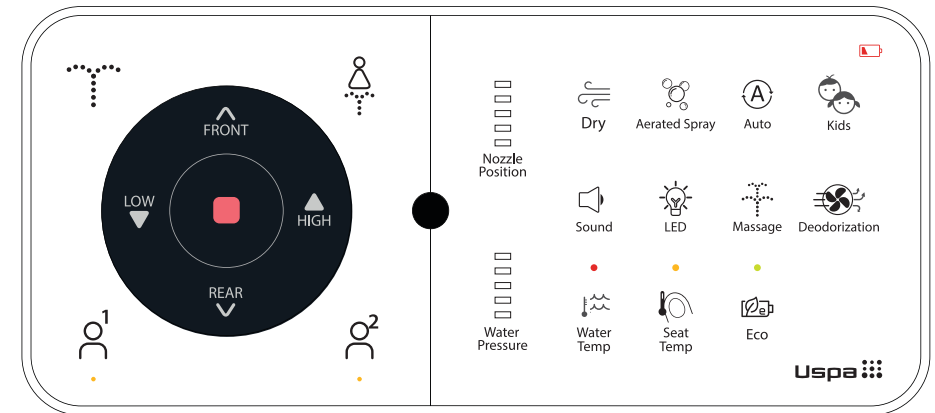


INSTALLATION GUIDE (CONTINUED)

Trial Operation

- Preparation**
Plug the power cord in the outlet. The water tank will be filled in 2 minutes.
- Checking All Functions**
Cover the toilet bowl using the sheet of plastic wrap on the unit to prevent the washing water from being sprayed out of the toilet. Then check for all functions described in this manual.
- Water temperature may vary while heating.**

HOW TO USE



Specifications

- Power : AAA Size Battery X 3
- Operation Voltage : DC2.4V ~ 4.8V
- Operation Temperature : -20°C ~50°C (-4°F ~122°F)

Dry

- Press “Dry” to activate the warm air dryer for 3 minutes.
 - Press this button again to activate Turbo mode.
 - The water pressure LED turns on during Turbo mode.
 - The dryer strength is saved between uses.
- Dryer will only operate when you sit on the seat.

HOW TO USE (CONTINUED)

Cleansing

- Press “Cleansing” to activate a posterior wash. The function will stop after 3 minutes.
- Feature will only operate when you sit on the seat.

Bidet

- Press “Bidet” to activate a feminine wash. The function will stop after 3 minutes.
- Feature will only operate when you sit on the seat.

User Settings

- Each button can save 2 settings. (Cleansing, Bidet)

How To Set User Presets

1. Press User 1 (or User 2) button. (The corresponding LED will blink)
2. Press Cleansing or Bidet.
3. Set the Water Pressure level by pressing the LOW / HIGH button.
4. Set the nozzle position by pressing the FRONT / REAR button.
5. Press User 1 (or User 2) again to save the settings. (The LED will stay on for 2 seconds before turning off.)

How To Use User Presets

1. Press Cleansing or Bidet.
2. Press User 1 (or User 2). The saved settings will activate.

Stop

- Press “Stop” to stop current operation

Eco

- Press “Eco” to activate the power saving mode.
- Eco Mode : Water Pressure of Cleansing/Bidet/ set to Auto level 2, Seat Temperature is set to approximately 28°C (82.4°F).

Temperature Adjustment (Water/Seat)

- There are 4 levels (Off-Low-Medium-High)
- 33°C (91.4°F) at “Low”(LED Green)
36°C (96.8°F) at “Middle”(LED Orange)
39°C (102.2°F) at “High”(LED Red)

Massage

- Press “Massage” to activate a rhythmic wash for massage effect when you are using “Cleansing”, “Bidet”, “Kids” or “Auto”.

Kids

- Press “Kids” to change all functions to be suitable for children.
- It will automatically operate from Cleansing to Dry with adequate water pressure (Level 1) and nozzle position (Level 5).
- Kids feature will only operate when you sit on the seat.
- This feature should be used under the supervision of an adult.

HOW TO USE (CONTINUED)

Auto

- Press “Auto” during the “Cleansing” or “Bidet” operation to activate the following sequence.
- Cleansing wash (27 sec.) - Oscillating wash (20 sec.)
Oscillating Massage (80 sec.) - Dry (3 min.)

Nozzle Position

- The nozzle position can be adjusted by pressing the FRONT or REAR button to 5 levels.
- It can only be adjusted during “Cleansing”, “Bidet”, “Auto”, and “Kids” mode.

Water Pressure (High/Low)

- The water pressure can be adjusted by pressing the HIGH or LOW button to 5 levels during “Cleansing”, “Bidet”, and “Kids” mode.

Aerated Spray

- This gentle but strong spray cleanses with additional aeration while using “Cleansing”, “Bidet”, “Kids” or “Auto” mode.

LED

- Press the button to turn the light on or off.

Deodorization

- Press the button to turn the Deodorization On/Off.
- When the appliance is in use, the deodorizer will work up to a maximum of 20 minutes.
- If a user stands up, the function will stop after 1 minute.

Sound

- Press the button to enable or disable the beeping sound.

Auto Nozzle Cleansing & Sterilization

- Press “REAR” for 2 seconds to activate Auto Nozzle Sterilization
- Nozzle cleansing will work for 3 minutes.
- Press the “Stop” button to stop the function while operating.
- This function only operates while standing up.

HOW TO USE (CONTINUED)

Factory Reset Values

- Water Temperature : OFF
- Seat Temperature : OFF
- Cleansing/Bidet/Auto : Water Pressure = level 3
- Nozzle Position = level 3
- Dry Temperature: level 3
- Deodorization : ON
- LED(Night Light): ON
- Delete “User 1” and “User 2” setting
- Remote Controller ID : 00
- Sound : OFF
- Eco : OFF

How to Reset Remote Control

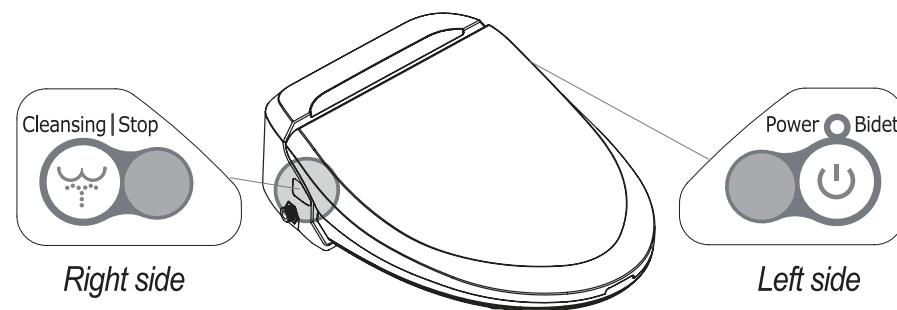
- After inserting the batteries, all of the LEDs will blink once.
- Press the “Stop” button for 3 seconds and the LED will blink three times.

How to Set ID (Remote Control)

- Press the “High” button for 3 seconds, the water pressure lights will light up.
- Press the “High” or “Low” button to change the water pressure lights so that only one on the bottom is lit up. (One light is the factory setting)
- Press stop
- The unit should now be paired with the remote

Side Control Buttons

- Use the side control buttons when the remote control is broken or the batteries are dead.
- Press the power button while standing to turn the appliance ON or OFF.
- Press the “Bidet” button to activate a feminine wash when you sit on the seat. Press the button again to stop the function.
- Press the “Cleansing” button to activate a posterior wash when you sit on the seat. Press the button again to stop the function.



CLEANING THE PRODUCT

CAUTION: Do not forcefully push, pull, or bend the nozzles. It may result in damage. Make sure to use the “Stop” button on the remote control.

Manual Nozzle Cleaning

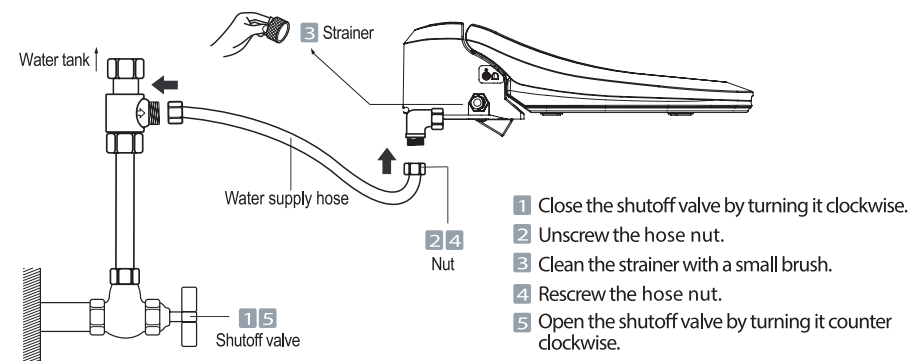
1. Press the Front button for 2 seconds to start manual cleaning.
2. Use a toothbrush or soft cloth to clean the nozzle.
3. Press the Stop button while cleaning to retract the nozzle.

Auto Nozzle Cleaning

1. Press the Rear button for 2 seconds to start auto cleaning. The nozzle will be cleaned for 30 seconds and retracted automatically.
2. Press the Stop button while cleaning to retract the nozzle.
3. Do not force to push or pull the nozzles while cleaning.

Strainer Maintenance

- This appliance will not operate properly if the strainer is clogged. Be sure to clean the strainer regularly.



Cleaning The Body

1. Regularly wipe off the body with a dry soft cloth, sponge, or wash with a damp cloth and mild detergent.
2. In order to protect the plastic unit, only use neutral cleansers. (Do not use toilet cleaners, home cleansers, bleach, benzene, paint thinner, cresol (Lysol).

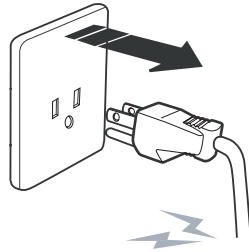


MAINTENANCE

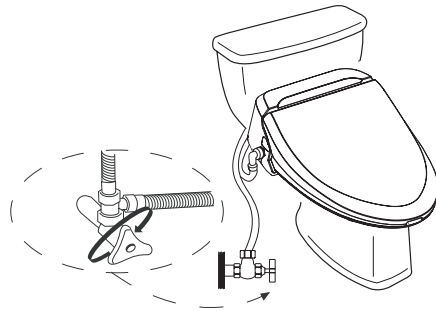
Drain water from the unit when not using it for an extended period of time.

1. Unplug the Power Supply Cord.

- Not doing so may cause electric shock or fire.

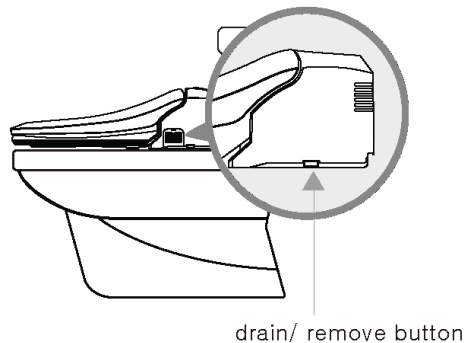


2. Close the Shutoff Valve.



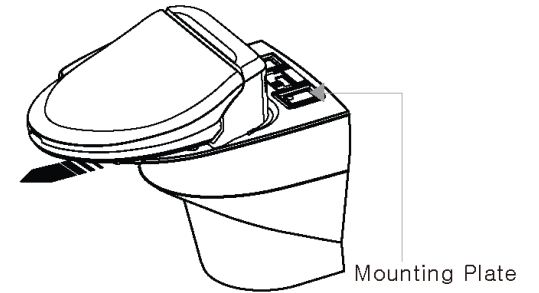
3. Drain

- Press the drain/remove button to drain the tank.



4. Detaching Unit

- After the draining is complete, press and hold the drain/remove button and pull forward.



Prevent Freezing

1. Make sure the power cord is plugged in properly.
2. Set the temperature of water to low or middle. (Freezing can be prevented by thermal efficiency of the water tank.) If there is no heating system in the toilet, wrap pipes with a cloth or other materials.
3. If the unit has not been used for a long time in the winter, unplug and drain the water from the water tank and pipes thoroughly. Refer to the drain instructions above.

TROUBLESHOOTING GUIDE

PROBLEM	DIAGNOSTICS
The water is not spraying.	<ul style="list-style-type: none">• Check the water supply.• Check the water supply valves.• Check the angle valve.• Check if the bidet filter is blocked.• Check the filter after disconnecting the water supply hose. (Please clean after disconnecting using a long plier or clip.)
Heating features are not working.	<ul style="list-style-type: none">• Check the temperature settings.• Check if eco mode is on.
The nozzle is not coming out	<ul style="list-style-type: none">• Check if the seat is occupied. Check for buzzer sounds.• Test the self-cleaning function.• Check if the nozzle is stuck inside and still spraying.• Reset your bidet by unplugging and re-plugging it back in.
The nozzle is misaligned during a wash.	<ul style="list-style-type: none">• Check to see if the nozzle is out while idle. (Make sure the water hole is visible)
The water pressure is low.	<ul style="list-style-type: none">• Test the aerated spray function.
Seat sensor does not work.	<ul style="list-style-type: none">• Try to unplug and re-plug your bidet back in.
The side control buttons do not work. (wash/bidet)	<ul style="list-style-type: none">• Check if the seat is occupied.
The slow-closing lid/seat does not work.	<ul style="list-style-type: none">• Contact customer support for a new damper replacement.

PROBLEM	DIAGNOSTICS
The bidet is not turning on.	<ul style="list-style-type: none">• Contact customer support. Your unit may need to come in for repair.
The remote is not working.	<ul style="list-style-type: none">• Check the remote and bidet ID setup.• Change the remote batteries.

Questions?

If you are still experiencing trouble with your bidet, it may need to come in for repair. Please contact customer support at 847.458.2334 or send us an email at support@biobidet.com.

SPECIFICATIONS

ITEM	USPA PRO	
Standard power supply	AC 120V, 60Hz 1248W	
Water Supply	Water connection	Direct connection to tap water
	Water pressure	0.07 MPa ~ 0.74 MPa
Cleansing	Spray for cleansing	700 ± 150 ml/min
	Spray for bidet	700 ± 150 ml/min
	Water capacity	70 ml
	Water temperature	Room temp ~ 39°C (102.2°F)
	Heater capacity	1200 W
	Safety feature	Thermal switch, temperature fuse, floating switch
Dry	Air temperature	Room temp ~ 60°C (140°F)
	Heater capacity	250 W
	Safety feature	Temperature fuse
Heated Seat	Seat temperature	Room temp ~ 40°C (104°F)
	Heater capacity	48 W
	Safety feature	Temperature fuse
Deodorization method	Catalytic filter	
Circuit breaker	Within 15mA 0.03 seconds	
Length of power cord	4 ft	
Dimensions	Elongated	(W) 15.43 in x (L) 20.47 in x (H) 5.71 in
	Round Front	(W) 15.43 in x (L) 19.68 in x (H) 5.71 in
Weight	4.4Kg (9.7 lbs)	

- Recommended water supply pressure is 0.1 ~ 0.69 MPa.
- The minimum available water supply pressure is 0.07 MPa, however 0.1 MPa pressure, water spray pressure might not be adequate.

3 YEAR LIMITED WARRANTY

USPA PRO Personal Hygiene Appliance Limited Warranty

We warrant our products to be free from manufacturing defects under normal use and service for a period of 3 years prorated base as below from the date of your purchase.

- 100% Coverage of all parts and labor for the entire product for the first year from the original date of purchase.
- 75% Coverage of all parts and labor for the entire product for the second year from the original date of purchase.
- 50% Coverage of all parts and labor for the entire product for the third year from the original date of purchase.

Warranty is valid within the United States and Canada only. Our obligation to you under this warranty is limited to repair or replacement, at our option, of defective products or parts, provided that the products were properly installed and used in accordance with instructions. We reserve the right to make inspections in order to determine the cause of the defect. We will not charge for labor or parts in connection with warranty repairs or replacement. We are not responsible for the cost of removal, return, and/or re-installation of products.

This limited warranty does not apply to:

- Damage or loss from fire, earthquake, flood, storm, etc.
- Damage or loss resulting from any unreasonable use, abuse negligence, or improper maintenance.
- Damage or loss from improper installation, removal, repair, or modification.
- Damage or loss resulting from sediment or other matters contained in your water system.

This warranty gives you specific legal rights.

For warranty or service information, please contact your dealer where you bought this appliance or us. Only the original purchaser may submit a claim under this limited warranty.

WARRANTY (CONTINUED)

This limited warranty is our only warranty covering your product. Repair or replacement as provided under this warranty shall be the exclusive remedy available to you. We shall not be responsible for the loss of the product or for other incidental, or consequential damage or expenses you may incur or for labor or other costs due to installation or removal, or cost of repairs by others, or for any other expense not specifically stated above. Except to the extent prohibited by applicable law, any implied warranties including that of merchantability or fitness for use, are expressly limited to the duration of this warranty.

Warning! We are not responsible or liable for any failure of, or damage to, this plumbing product component caused by in-tank bowl cleaners containing chlorine (calcium hypochlorite).

Note: The use of a high concentration of chlorine related products can seriously damage the fittings. This damage can cause leakage and serious property damage.

For more information, please contact your dealer or us.

BIO BIDET INNOVATION LLC

7900 S RT 31 Crystal Lake IL 60014

T: 847-458-2334

F: 847-854-1296

support@biobidet.com

www.biobidet.com

THANK YOU



Technical Support/Customer Service

7900 S Route 31 Crystal Lake, IL 60014

T: 847.458.2334

U.S. TOLL FREE: 877.339.5214

support@biobidet.com

www.biobidet.com