



# UB4800

---

OWNER'S MANUAL

---





**PRODUCT INFORMATION**

Features.....5  
Important Safeguards.....6  
Parts.....12  
Dimensions.....13  
Product Information.....14

**PRODUCT INSTALLATION**

Seat Installation Guide.....13  
Water Connection Guide.....17  
Testing & Seat Bumpers.....18  
Remote Installation Guide.....19

**PRODUCT OPERATION**

How to use.....20  
Side Control Panel.....22  
Warnings.....23  
Cleaning.....24  
Maintenance.....25  
Troubleshooting Guide.....29

**WARRANTY**

Warranty.....30



- Wireless remote with touch panel
- Wide cleaning
- Adjustable heated seat
- Pulsating
- Kids wash
- Massage cleaning
- Intelligent body sensor
- Satisfying posterior cleaning
- Splash guard
- Soft feminine cleaning
- Slow closing seat/lid
- Adjustable nozzle
- Quick release for easy cleaning
- Nozzle self-clean
- Automatic power save



## READ ALL INSTRUCTIONS BEFORE USING

### **DANGER-** To reduce the risk of electric shock:

Do not place or store this appliance in a location where it can fall or be pulled into a tub or sink.

- Do not place in, or drop into water or other liquids.
- Do not touch a product that has fallen into water. Unplug immediately.

### **WARNING-**

### To reduce the risk of burns, electric shock, fire or injury:

- Close supervision is necessary when this appliance is used by or is near infants, elders, or handicapped persons. Children should not be permitted to use or touch this appliance without adult supervision. Be sure to adjust the toilet seat's temperature for elders, handicapped persons, or people with sensitive skin.
- Use this appliance only for its intended purpose as described in this manual. Do not use attachments not recommended by the manufacturer.
- Do not operate this appliance if the cord is damaged or if the product is dropped into water.
- Install the unit properly by following the installation procedure.
- Only authorized persons can install or repair the unit. Do not attempt to service this appliance by yourself. Doing so could void the warranty.
- Keep the cord away from heated surfaces.
- Never drop or insert any objects into any opening or hose.
- Do not use outdoors. Do not use aerosol or oxygen spray products on the unit.
- Always follow the grounding instructions in the manual before plugging in the unit.

## SAVE THESE INSTRUCTIONS

## CAUTIONS BEFORE INSTALLATION

### Note the following important points:

- Do not install in a location where water might be splashed on this appliance or in a location exposed to excessive moisture where condensation might form on the product's surface.
- To avoid damage to electronic components due to high levels of humidity, provide adequate ventilation by opening a window and/or door when bathing.
- Water supply should have a water pressure of 0.007MPa to 0.74MPa.
- Connect the product to a pipe carrying potable water. Do not connect to an industrial water line or other water supplies that are not potable.
- Cool the unit in the room before installation.
- The thermal protector in the water tank may malfunction when transporting or storing warm water.
- The rated power voltage is AC 120V, 60Hz.
- Do not plug the unit in until installation. It may result in malfunction.

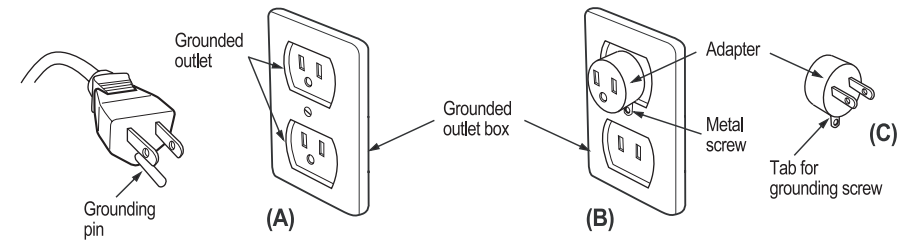


## WIRING REQUIREMENTS

Any other servicing should be performed by authorized service representatives.

### Grounding Instructions

- This product should be grounded. In the event of an electrical short circuit, grounding reduces the risk of electric shock by providing an escape wire for the electric current. This product is equipped with a cord having a grounding wire with a grounding plug. The plug must be plugged into an outlet that is properly installed and grounded.
- **DANGER- improper use of the grounding plug can result in a risk of electric shock.**
- If the cord or plug is necessary to repair or needs to be replaced, do not connect the grounding wire to a flat blade terminal. The grounding wire can be identified by its insulated outer surface. It will either be colored green or will not contain yellow stripes.
- Check with a qualified electrician or serviceman if you do not understand grounding instructions or if you do not know whether the product is properly grounded.
- This product is for use on a nominal 120V circuit. It has a grounding plug that looks like the plug illustrated in sketch A. A temporary adapter, which looks like the adapter illustrated in sketches B and C, may be used to connect this plug to a 2-pole receptacle as shown in sketch B if a properly grounded outlet is no available. The temporary adapter should be used only until the properly grounded outlet (sketch A) can be installed by a qualified electrician, the green colored rigid ear, lug and the like extending from the adapter must be connected to a permanent grounded such as a properly grounded outlet box cover. Whenever the adapter is used, it must be held in place by the screw.



- If it is necessary to use an extension cord, use only a three wire extension cord that has a three-blade grounding plug, and a three-slot receptacle that will accept the plug on the product. Replace or repair a damaged cord.
- Remote control power: AAA (1.5V), 3EA

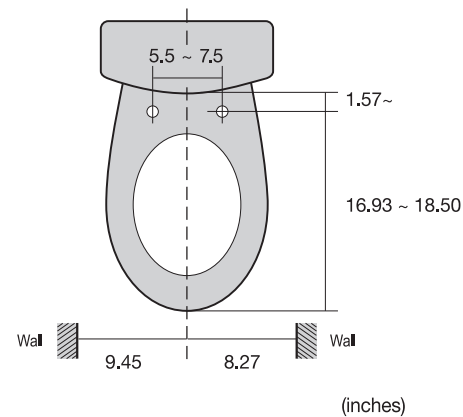
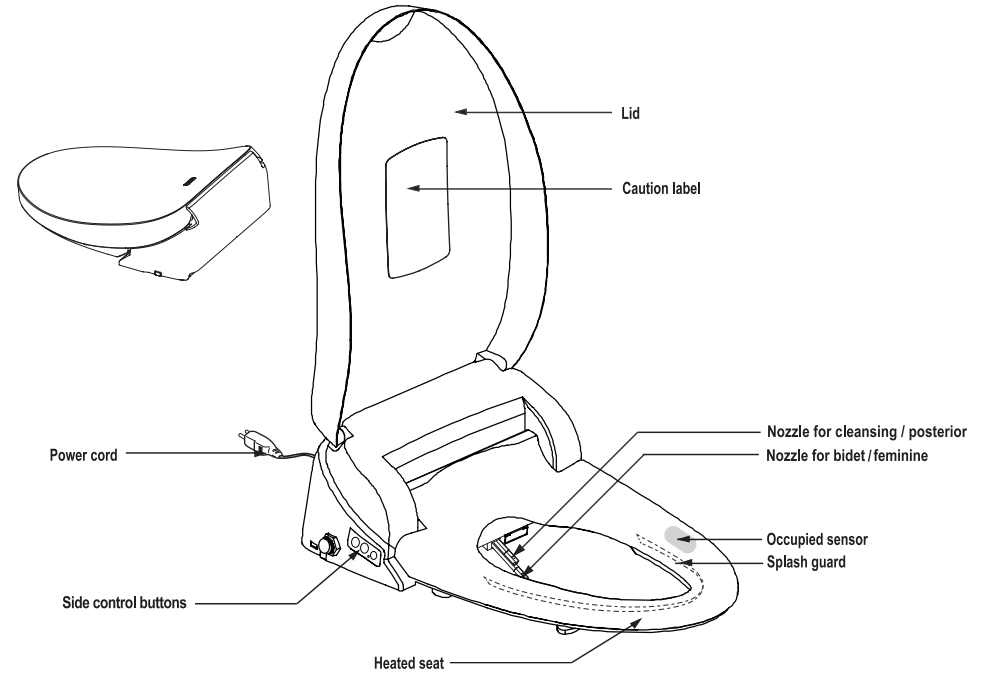
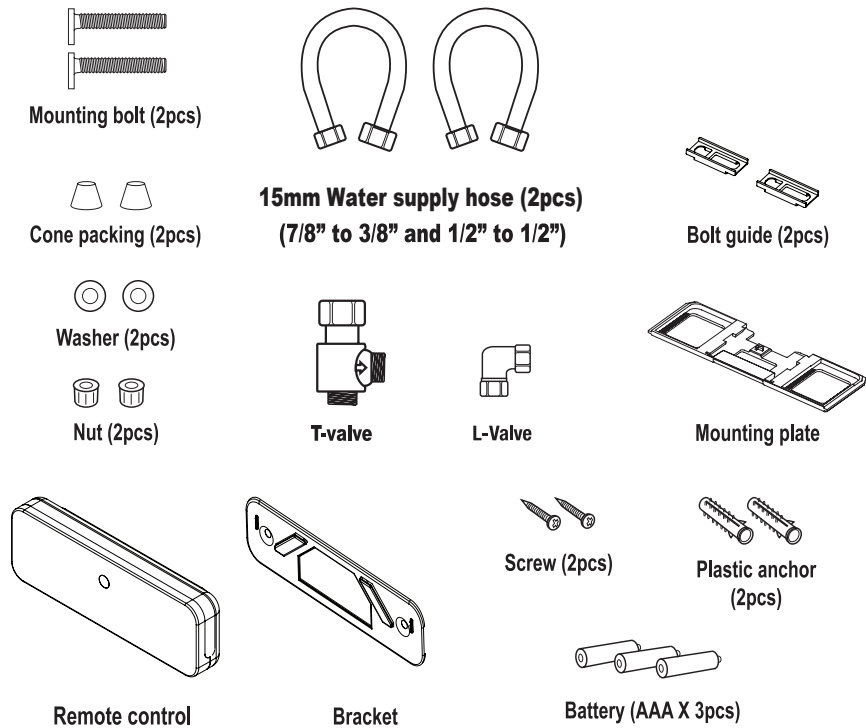
**CAUTION RISK OF EXPLOSION TO BATTERY IF REPLACED BY AN INCORRECT TYPE. DISPOSE OF USED BATTERIES ACCORDING TO THE INSTRUCTIONS.**



CAUTION

### **Follow these basic instructions to ensure the safe use of your appliance.**

- Do not use a faulty or loose electric outlet or cord. Doing so may result in a short circuit, electric shock, or fire.
  - Do not throw anything flammable into the toilet. Doing so may result in fire.
  - Do not splash water on this product. Doing so may result in fire or electric shock.
  - This product must be grounded. Not doing so may result in short circuit, electric shock, or malfunction.
  - Do not use too many appliances on one power strip. Doing so may result in fire or damage. Be sure to use a dry and clean outlet. Do not use a faulty or loose outlet.
  - Plug and unplug properly. Do not plug or unplug with wet hands. It may result in injury or short circuit. Do not grab the cord when unplugging. Pull out the plug properly.
  - Do not use when the seat and lid are disassembled. Doing so may result in electric shock due to high voltage inside.
  - Unplug when beeping or emitting a strange odor. Unplug right away. Contact your dealer from whom you made the purchase.
  - Do not disassemble, repair, or modify this appliance. Doing so may result in fire or electric shock.
  - Use tap potable water only (ground water). Not doing so may cause irritation or injury.
  - Do not step on or place heavy objects on this appliance. Doing so may damage the unit or result in malfunction of the appliance.
  - Be aware of urine splash on nozzle. Doing so may result in malodor or failure of appliance.
  - Do not sit or lean against the lid or control panel. Doing so may cause malfunction or breakage.
- Unplug if you do not plan to use for a long period of time.
  - Unplug while there is thunder or lightning.
  - Do not pull out the waterhose forcefully. Doing so may cause water leakage.
  - Do not put a vase, water cup, or small materials on this appliance.
  - Be aware of low-grade burns. Sitting on the heated seat for a long time may result in a low-grade burn. Use care when being used by the following: children, senior citizens, patients, or others who can not control the temperature level. Sleeping pill users or people who are on medication that causes drowsiness. Those who are intoxicated or very tired may fall asleep while sitting on the unit.
  - Unplug when cleaning. Not doing so may result in fire or electric shock.
  - Use low temperature for children and disabled. High temperature may result in burns if person fails to recognize the temperature.



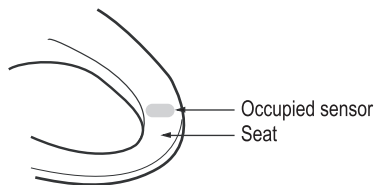
The toilet dimensions must be within those shown above. Do not install this appliance on a toilet that does not meet those dimensional requirements.



**SPECIFICATIONS**

Item	UB-4800	
Standard power supply	AC 120V 60Hz660W	
Water supply	Way of connection	Direct connection to tap water
	Water pressure	0.07MPa - 0.74MPa
Cleansing	Spray for cleansing	900 +/- 100 ml/min
	Spray for bidet	850 +/- 150 ml/min
	Water capacity	800 ml
	Spray temperature	Room Temp - 104°F (40°C)
	Heater capacity	600W +/- 10%
	Safety feature	Thermal switch, Temperature fuse, Floating switch
Heated seat	Seat temperature	Room temp - 104°F (40°C)
	Heater capacity	55W +/- 15%
	Safety feature	Temperature fuse
Circuit breaker	Within 15mA 0.03 seconds	
Length of power cord	1.2m	
Dimensions	(W) 407 mm X (L) 532mm X (H) 170mm (W) 16.02 in X (L) 20.94 in (H) 6.69 in	
Weight	4.16kg (9.17lbs)	

Recommended water supply pressure are 0.1-0.69MPa. The minimum available water supply pressure is 0.07MPa, however under 0.1MPa pressure, water spray pressure might not be adequate.



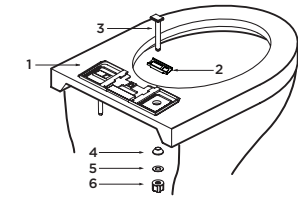
This appliance is equipped with an occupied sensor. The unit will not work unless the seat is occupied.

**1. Remove the seat from the existing toilet body.**



- Remove the nuts, washers, and cone packings from the toilet seat and mounting bolts.
- Then remove the toilet seat, lid, and mounting bolts. Keep them in case you need them later.

**2. Mount the plate**



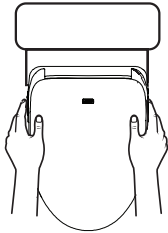
1 Mounting Plate    2 Guide    3 Mounting bolt  
4 Cone packing    5 Washer    6 Nut

- Place the mounting plate and guides over each mounting hole.
- Insert the mounting bolts through the plate and mounting holes.
- Slide the cone packings and washers onto the bolts and fasten with nuts.





**3. Attach the unit**

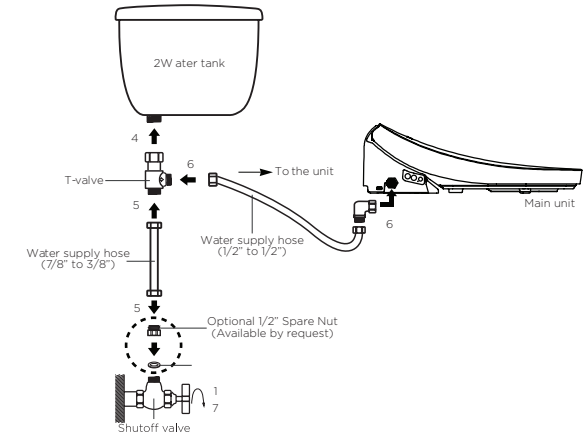


- Slide the unit onto the mounting plate until it clicks.
- To detach the unit, lift upward and forward.
- After installing your bidet attachment, check to see if there is a gap between the toilet base and toilet seat.



**DO NOT plug in until installation is finished completely. Not doing so may damage the appliance.**  
**If electric work is needed, please contact a qualified electrician or serviceman only.**

- Close the shutoff valve by turning it clockwise.
- Then flush the water tank completely to empty it.
- Remove the existing water supply hose from the water tank.
- Install the T-valve on the water tank.
- Connect one end of the water supply hose (7/8 to 3/8") from the T-valve to the shutoff valve.
- Connect the other end of the water supply hose (1/2 to 1/2) from the T-valve to the main unit.
- Open the shutoff valve by turning it counter clockwise.
- Check for any water leaking or dripping.

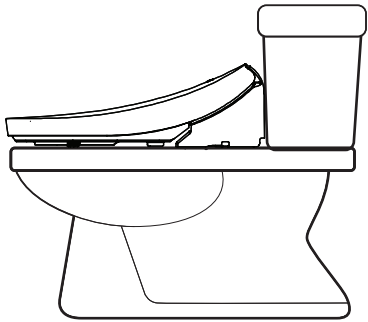


**Using an Inline Carbon Filter**

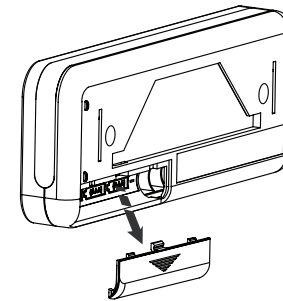
The use of an external inline carbon water filter is not required unless the unit is used in an area with extreme hardwater. If a carbon filter is used, the filter must be replaced every 6 months. Inline carbon filters can be purchased from any authorized Bio Bidet reseller.

**NOTE:**

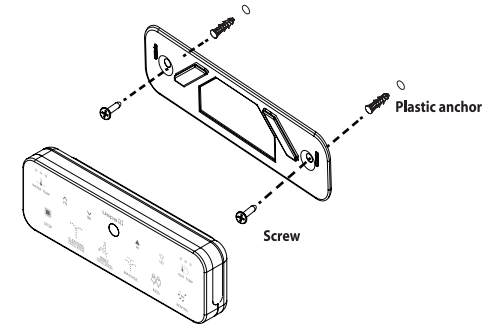
This product is designed and intended for use exclusively with Bio Bidet USPA water filters. The purchase or use of any other water filter is not the responsibility of BBC Innovation LLC. As such, any use of non USPA water filters is prohibited and will void the warranty for those Bio Bidet products. Bio Bidet will not be responsible for any resulting damages or claims related to the misuse or distribution of non Bio Bidet Uspa filters.



- Plug the power cord into the outlet, and then the water tank will be filled with water in 2 minutes.
- Check all the functions. Cover the toilet using the sheet of plastic wrap on the unit to prevent the washing water from being sprayed out of the toilet. Then check for all functions described in this manual.
- There are possibilities of water coming out that remains in the unit while heating.



- Open the battery lid and insert AAA batteries (3pcs). Remember to place the remote in a spot you can easily reach while seated.



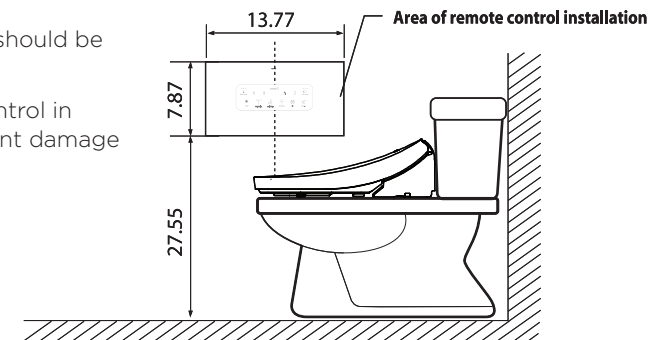
- Fasten the remote control bracket with double sided adhesive tape on the proper area of the wall as shown.

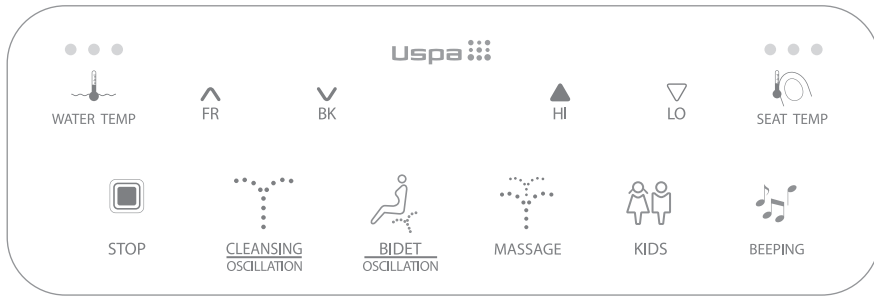
**CAUTION**

- Use AAA batteries
- Do not use old and new batteries together only use the same type of batteries.
- Remote control and remote control mounting panel have magnets.
- Check batteries if the remote control is not working.

The remote control should be installed on the wall.

Keep the remote control in the bracket to prevent damage by dropping.





## Stop

- Press “stop” to stop current operation
- When a user stands up, all operations will stop automatically.

## Cleaning

- Press “Cleansing” for posterior wash. The function will stop automatically in 1 minute.
- Press this button again to activate oscillation. The nozzle moves back and fourth automatically to widen cleansing area.
- Oscillation wash stops if this button is pressed again.

## Message

- Press “Message” to help you to stimulate bowel movements with aerated wash.
- Press the button again to stop.

## Bidet

- Press “Bidet” for feminine wash. The function will stop automatically in 1 minute.
- Press this button again to activate oscillation. The nozzle moves back and fourth automatically to widen cleansing area.
- Oscillation wash stops if this button is pressed again

## Kids

- Press “Kids” to change all functions to be suitable for children: 1 minute for oscillation, level 1 of water pressure, and level 5 of nozzle position.
- This unit should be used under the supervision of an adult.

## Water/Seat Temperature Adjustment

- Press “Water Temp” while on or off the unit.
- Press again to adjust water temperature to 93°F → 98°F → 104°F → OFF (room temperature).
- Press “Seat Temp” while on or off unit.
- Press again to adjust seat temperature to 93°F → 98°F → 104°F → OFF (room temperature).

## Self Cleaning

- Nozzles are cleaned by automatically rinsing off before and after every use.

## Self-Diagnosis System

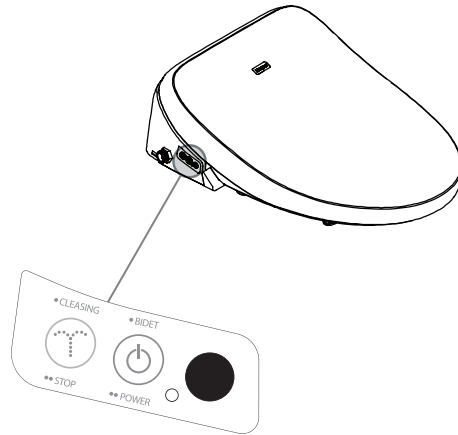
- The power indicator LED light on the side of the unit will flash if the appliance has a problem.
- Unplug and contact service center immediately.

\*Do not forcefully push or pull the nozzles or bend them. It may result in failure.



### Side Control Buttons

- Use side control buttons on unit when remote control is broken or its batteries are dead
- Press “Cleansing” or “Bidet” to start.
- Press again to stop. Do not use sharp items to press buttons.



Do not drop the remote control in water. It may cause out of order malfunction.

All functions will be operational when the seat is occupied except Nozzle Cleaning and Power/Economy.

Before operating, ensure that the water tank is filled up completely.

### Beeping

- Press “Beeping” to enable the beeping sound.
- To disable, press the button again.

### Water Pressure

- Water spray pressure can be adjusted in 5 levels by pressing (HI)(LO) buttons.
- Set water pressure level will remain.

### Nozzle Position

- Nozzle position can be adjusted in 5 levels by pressing (FR)/(BK) buttons.
- Set nozzle position will remain.

### Economy

- Press “Stop” button for 3 seconds to activate the power saving function.
- Economy function will be disabled once user sits on bidet.

\*When the power cord is plugged in initially, nozzles for feminine wash and posterior will come out in turn.

\*All the operating times indicate are approximate.



## NOZZLE CLEANING

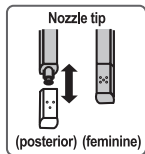
DO NOT Forcefully push, pull, or bend the nozzles. It may result in failure. Make sure to use "Stop" button on the remote control.



### Manual Cleaning

- Make sure the occupied sensor is not activated. (Do not sit on the seat or place hands on the seat sensor.)
- Press "Front" (FR) button for 3 seconds to extract feminine nozzle. Press "Front" (FR) or "Back" (BK) button for 3 seconds to extract posterior nozzle. Press "Stop" button to retract nozzle.
- Use a toothbrush or soft cloth to clean nozzles.
- Press "Stop," and nozzle will return to stand-by mode.

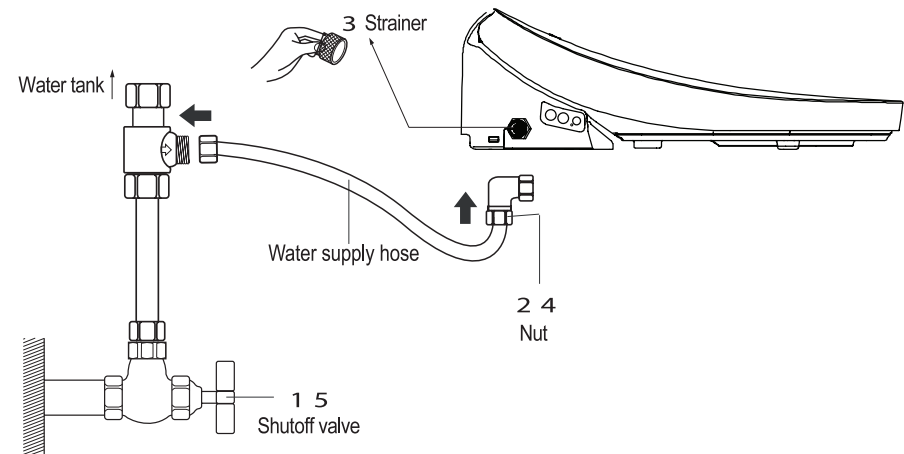
### Auto Cleaning



- Press "Back" (BK) button for 3 seconds to start auto cleaning. Cleansing and Bidet nozzles will be cleaned automatically by turns.
- Press "Stop" and nozzle will return to stand-by mode.

## STRAINER MAINTENANCE

This appliance will not operate properly if the strainer is clogged. Be sure to clean the strainer regularly.



- Close the shutoff valve by turning it clockwise.
- Unscrew the nut.
- Clean the strainer with a small brush.
- Rescrew the nut.
- Open the shutoff valve by turning it counter clockwise.

## CLEANING THE BODY

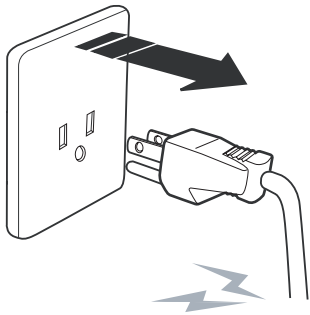
- Regularly wipe off the body with a dry soft cloth or sponge, or wash with a damp cloth and mild detergent.
- For care of plastic body, do not use any cleansers such as: toilet cleanser, home cleanser, bleach, benzene, paint thinner, cresol etc.



## DRAINING WATER

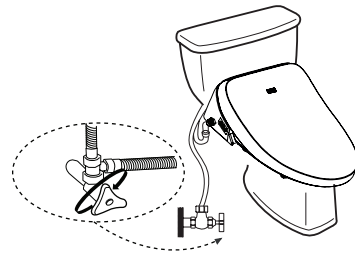
Drain water while not using the unit over an extended period of time.

### 1. Unplug the power supply.



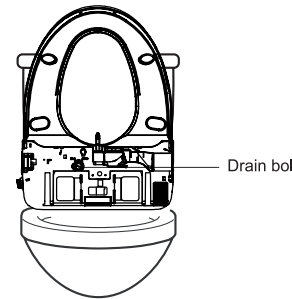
- Unplug the power supply cord. Not doing so may cause electric shock or fire.

### 2. Close the shutoff valve.



- Close the shutoff valve.

### 3. Unscrew the mounting bolts.



- Unscrew the mounting bolts. Refer to the installation procedure.

### 4. Drain the water



- Raise the unit and thoroughly drain the water by unscrewing the drain bolt from the closed position. (Do not lose the drain bolt.)  
\*The following figure is only to check the location of 'Drain Bolt.' To prevent malfunction, do not place the vertical positioner tilt the product.
- Screw drain bolt back to closed position and reinstall the unit. Refer to the trial operation procedure before using the appliance again.



**PREVENT FREEZING**

- Make sure the power cord is properly plugged in.
- Set the water temperature to low or middle. (Freezing can be prevented by thermal efficiency of water tank.) If there is no heating system in the toilet, wrap the pipes with cloth or other materials.
- If the unit has been not used for a long time during winter, unplug and drain the water from the water tank and pipes thoroughly. Refer to the “Drain water” procedure above.

Problem	Possible Cause	Solution
Completely fails to work	Is there a power outage? Is the power cord unplugged? Are you sitting on the seat correctly?	Check for a power failure or a tripped breaker. Plug the power cord in properly. Sit on the seat correctly to activate the sensor.
Water does not spray	Is the water shutoff valve closed? Is the strainer clogged? Are the nozzles clogged?	Check for any water leaking or dripping. Clean the strainer. Clean the nozzles.
Water is leaking or dripping	Are all hoses tightened up properly?	If water is still leaking or dripping, contact your dealer.
Seat or water is not warm enough	Is the temperature set to OFF? Is the appliance used in eco mode during cold weather?	Reset the temperature. Press “eco” again to release the function



## USPA Personal Hygiene Appliance Limited Warranty

We warrant our products to be free from manufacturing defects under normal use and service for a period of one (1) year from the date of your purchase. 100% Coverage of all parts and labor for the product for the first year from original date of purchase. This warranty is only valid within the United States and Canada.

Our obligation to you under this warranty is limited to repair or replacement, at our option, of defective products or parts, provided that the products were properly installed and used in accordance with instructions. We reserve the right to make inspections in order to determine the cause of the defect. We will not charge for labor or parts in connection with warranty repairs or replacement. We are not responsible for the cost of removal, return and/or reinstallation of products.

This limited warranty does not apply to:

- Damage or loss from a fire, earthquake, flood, storm, etc.
- Damage or loss resulting from any unreasonable use, abuse, negligence, or improper maintenance.
- Damage or loss from improper installation, removal, or modification.
- Damage or loss resulting from sediment or other matters contained in your water system.

This warranty gives you specific legal rights.

For warranty or service information, please contact your dealer where you bought this appliance or us.

Only the original purchaser may submit a claim under this limited warranty.

This limited warranty is our only warranty covering your product. Repair or replacement as provided under this warranty shall be the exclusive remedy available to you. We shall not be responsible for loss of the product or for other incidental, or consequential damage or expenses you may incur or for labor or other costs due to installation or removal, or cost of repairs by others, or for any other expense not specifically stated above. Except to the extent prohibited by applicable law, any implied warranties, including that of merchantability or fitness for use, are expressly limited to the duration of this warranty.

**WARNING!** We are not responsible or liable for any failure of, or damage to, this plumbing product or product component caused by in-tank bowl cleaners containing chlorine (calcium hypochlorite).

**NOTE:** The use of high concentration of chlorine related products can seriously damage the fittings. This damage can cause leakage and serious property damage.

For more information, please contact your dealer or us.



# Thank You



Technical Support/Customer Service  
7900 S Route 31 Crystal Lake, IL 60014  
T: 847.458.2334  
U.S. TOLL FREE: 877.339.5214

[support@biobidet.com](mailto:support@biobidet.com)  
[www.biobidet.com](http://www.biobidet.com)