



dib
www.biobidet.com

dib SPECIAL EDITION

BBC Innovation Corp.

7900 S Illinois Route 31 T) 847,458,2334
Crystal Lake IL 60014 F) 847,854,1296

User's Guide

This user's guide contains the product warranty certificate.
Be sure to read this user's guide carefully before use.

120V 60Hz  

www.biobidet.com

DIB-850

dib...

**THIS UNIT WAS MANUFACTURED FOR HOUSEHOLD USE ONLY.
READ ALL OPERATING INSTRUCTIONS BEFORE INSTALLATION.**

Notes

- 1.This product should be installed according to this manual.
- 2.Please read this manual carefully and install properly.
- 3.Please save this manual and place in easily accesible location.
- 4.Do not attempt to service this appliance yourself. Doing so will void warranty.

CONTENTS

1. Safety Precautions.....	4
2. Product Features	8
3. Parts and Configuration	9
4. Installation	12
5. Trial Operation	16
6. Disassembly of Product	17
7. Operation	19
8. Settings	23
9. Maintenance & Cleaning	25
10. Troubleshooting	27
11. Product Specifications	28
12. Memo	30
13. Warranty Information	31

Preparation

Installation

Operation

Maintenance
& Cleaning

01. Safety Precautions

IMPORTANT SAFETY GUARDS

When using electrical products, especially when children are present, basic safety precautions should always be followed,

READ ALL INSTRUCTIONS BEFORE USING

- In the case 120V 60Hz : Power supply must be a 15 Amp GFCI outlet.
- The electrical cord must be connected to a GFCI outlet.
- The GFCI outlet should be 1ft. above the floor.
- Install only in well-ventilated areas to avoid excess humidity.
- Do not install in narrow toilet stalls or in shower stalls.
- Install only where direct contact with water is minimized.
- Do not install near any heat source
- Avoid using extension cords if possible. Consult with a certified electrician where extension cords are necessary.

DANGER – To reduce the risk of electrocution:

- Do not use while bathing.
- Do not place or store product where it can fall or be pulled into a tub or sink.
- Do not place in or drop into water or other liquid.
- Do not reach for a product that has fallen into water. Unplug immediately.

WARNING – To reduce the risk of burns, electrocution, fire or injury to persons:

- Close supervision is necessary when this product is used by, on, or near children or invalids.
- Use this product only for its intended use as described in this manual. Do not use attachments not recommended by the manufacturer.
- Never operate this product if it has a damaged cord or plug, if it is not working properly, has been dropped or damaged, or dipped into water. Return the product to a service center for examination and repair.
- Keep the cord away from heated surfaces.
- Never drop or insert any object into any opening or hose.
- Do not use outdoors or operate where aerosol (spray) products are being used or where oxygen is being administered.
- Connect this product to a properly grounded outlet only. See grounding instructions.
- Unplug this product before filling. Fill (reservoir) with water only.

SAVE THESE INSTRUCTIONS

01. Safety Precautions

GROUNDING INSTRUCTION

DANGER - Improper use of the grounding plug can result in a risk of electric shock.

This product has a three-prong grounding plug, which must be plugged into an outlet that is properly installed and grounded. In the event of an electrical short circuit, grounding reduces the risk of electric shock by providing an escape wire for the electric current. If repair or replacement of the cord or plug is necessary do not connect the grounding wire to either flat blade terminal. The wire with insulation having an outer surface that is green with or without yellow stripes is the grounding wire. Check with a qualified electrician or service person if the grounding instructions are not completely understood, or if in doubt as to whether the product is properly grounded.

This product is for use on a nominal 120V circuit, and has a grounding plug that looks like the plug illustrated in sketch A in Figure 1. A temporary adapter, which looks like the adapter illustrated in sketches B and C, may be used to connect this plug to a 2-pole receptacle as shown in sketch B if a properly grounded outlet is not available.

The temporary adapter should be used only until a properly grounded outlet (sketch A) can be installed by a qualified electrician. The green colored rigid ear, lug, or the like extending from the adapter must be connected to a permanent ground such as a properly grounded outlet box cover. Whenever the adapter is used, it must be held in place by the screw.

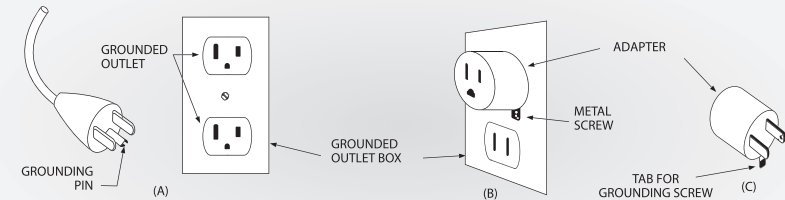
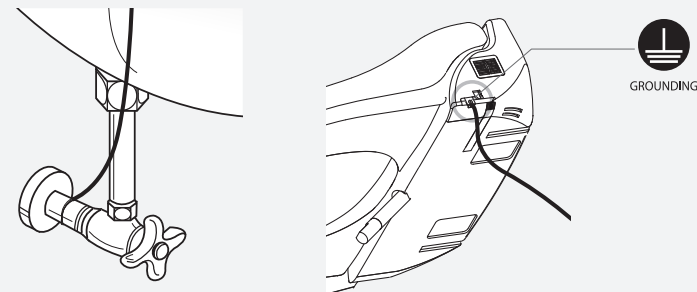


Figure 1.

Optional Grounding Instructions



02. Product Features

dib bidet has the following characteristics:

● Continuous Warm Water Supply

Enjoy continuous warm water throughout the wash cycle.



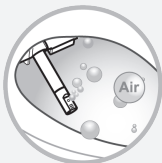
● Vortex Wash

Soft but powerful water wash for added cleansing benefit.



● Bubble Wash

Aerated water wash adds cleaning comfort.



● Stainless steel nozzle

For better hygiene, a stainless steel nozzle is applied.



● Pulse & Oscillate

Pulsating wash repeatedly cycles from weak to strong. Nozzle moves back and forth for massage effect.



● Deodorization Function

Deodorizing filter eliminates odors efficiently.



● Energy Saving Function

When activated, Energy Saving Mode will set the heaters to a lower temperature to reduce energy consumption.



● Child Settings

Optimized nozzle position and water pressure for children.



● Touch panel remote control

Convenient touch screen remote control provides easy user interface.



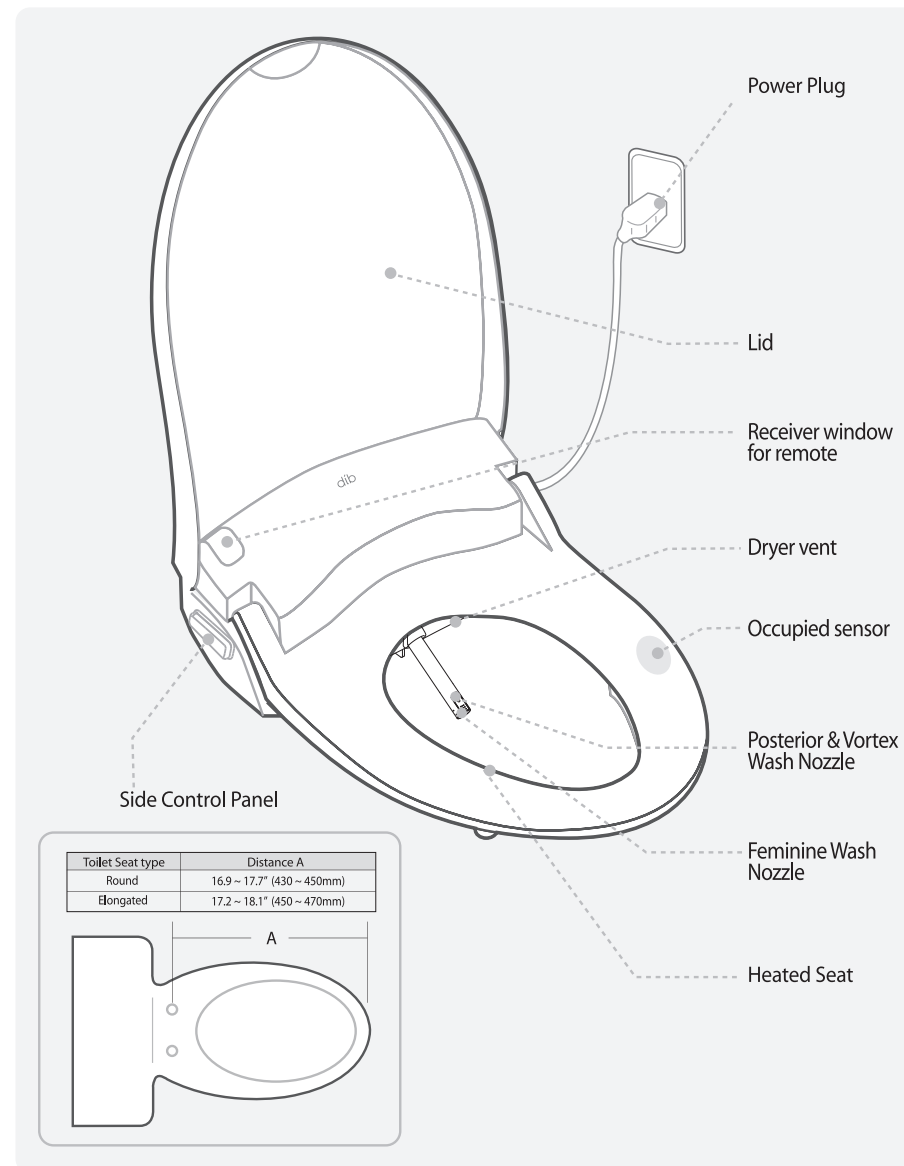
● User Preset

User can preset and store the memory for control settings.

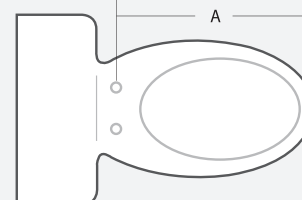


03. Parts and Configuration

Main Body

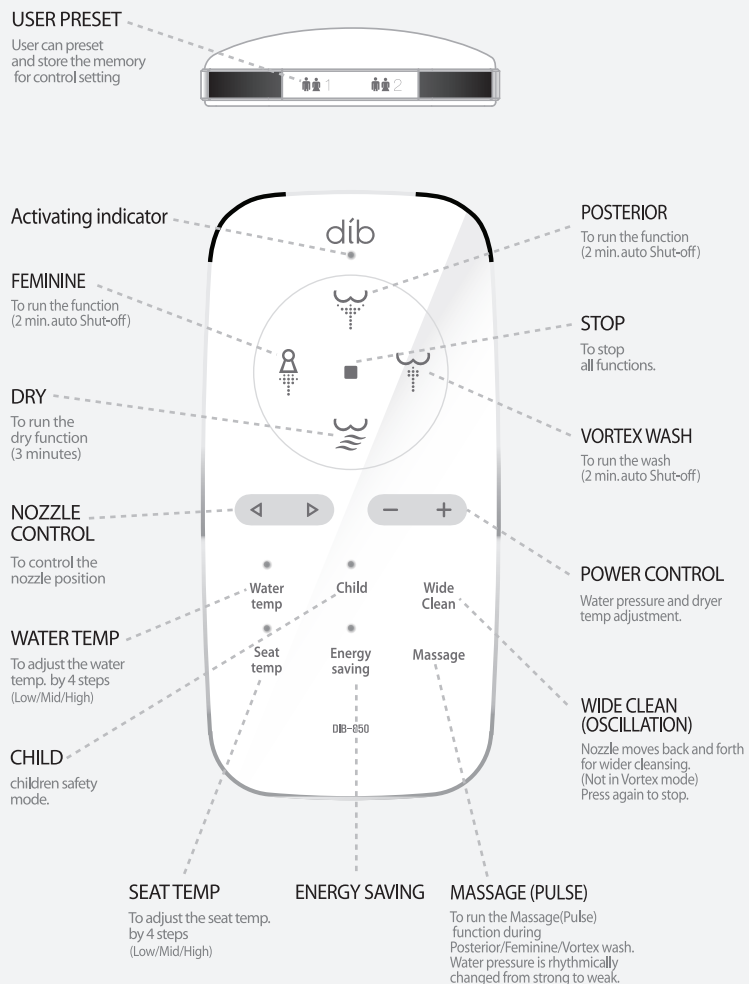


Toilet Seat type	Distance A
Round	16.9 ~ 17.7" (430 ~ 450mm)
Elongated	17.2 ~ 18.1" (450 ~ 470mm)



03. Parts and Configuration

Operation Panel

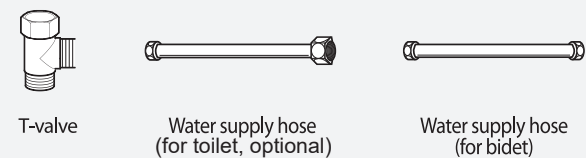


Accessories

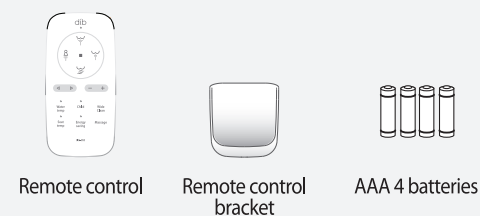
<For product installation>



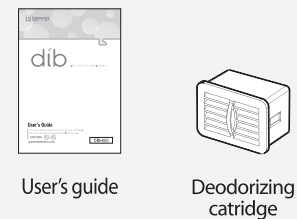
< For plumbing >



< For remote control >



< Etc >



04. Installation

Order of Installation

1 Exiting Toilet Seat Removal.

▶ Lift hinge covers and use a screwdriver to remove the mounting bolts.

▶ Remove the toilet seat

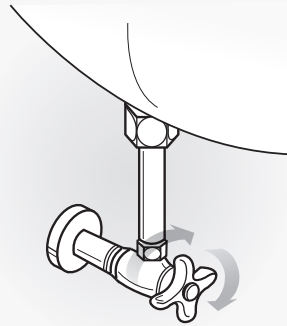
* Note :Steps may vary by type of seat.



2 Turn off shut-off valve and flush toilet.

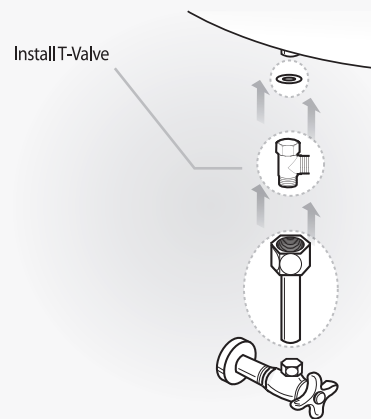
▶ Turn shut-off valve completely.

▶ Flush toilet and hold down handle to completely empty tank.

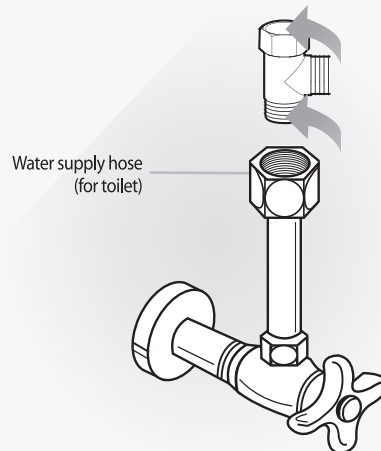


3 Connect T-Valve to Water Supply Line and Toilet Tank.

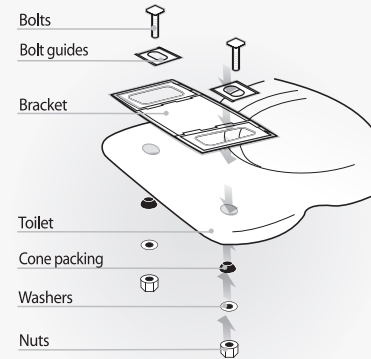
▶ Remove existing water supply hose.



4 Connect water supply hose for toilet.

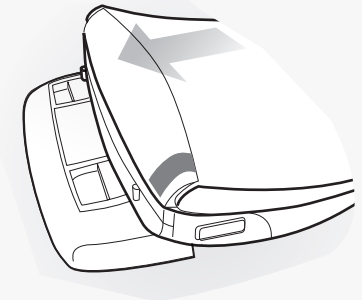


5 Install Mounting Bracket.



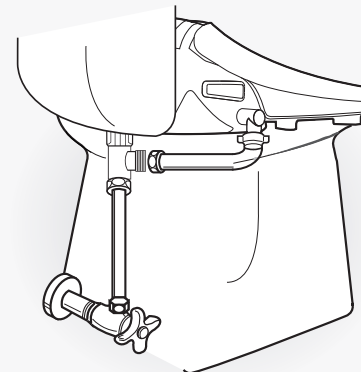
▶ Place adjustable mounting plate over mounting holes on toilet, flat side down, rubber side off mounting plate should be closest to the toilet tank.

6 Slide seat onto plate until it is secure and "clicks" into place.

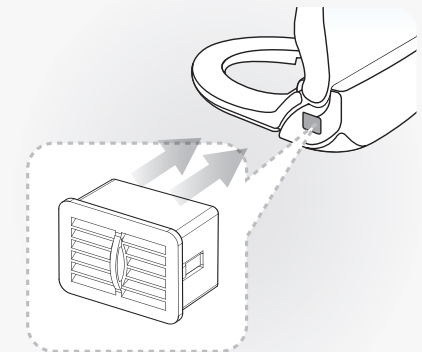


7 Connect bidet hose making sure the hose is firmly connected.

▶ Do not twist bidet hose, excessively bend it, or strip the plastic screw threads.



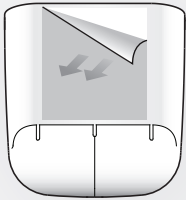
8 Insert the deodorizing cartridge.



04. Installation

Remote control installation & batteries insertion

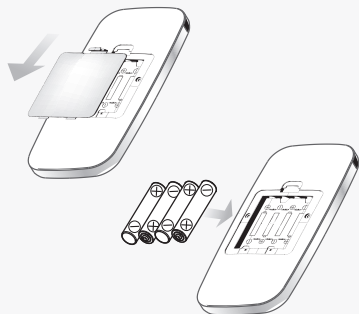
- 1 Remove the adhesive protection to attach the remote control bracket to the wall or other surface.



- 2 Clean the area thoroughly before attaching the bracket.



- 3 Turn remote over and open the battery compartment. Insert four "AAA" type batteries (included) as indicated inside battery compartment and replace battery cover.

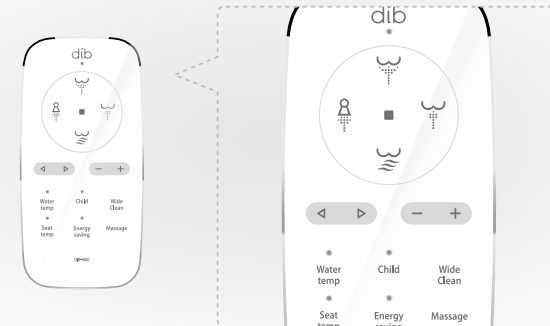


- 4 Mount remote (optional)
Identify a location in the bathroom for the remote control that is visible and reachable from the toilet and mount remote using double stick tape (included).



- 5 When the batteries have reached the end of service life, all LEDs (5 points) will blink. Replace the batteries with new AAA size X 4 pcs.

※ **Caution**
Do not use old and new batteries together.
This could cause damage or failure of the remote control.



- 6 If the unit does not work after replacing the batteries, unplug and wait for 3 seconds. Plug in again.

※ After replacing the batteries, ID of the unit will be initialized as "00" (factory initialization ID), and its ID will be equalized ID of the remote control that reaches the unit first. This ID assigning function will be needed to prevent signal interruption if more than 2 units are used at one place. In case of using one unit only, no setting is needed.

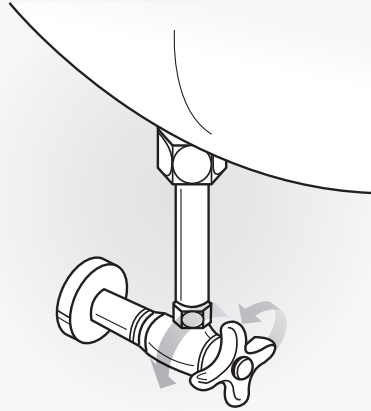
※ If you want to change the ID, please refer to the page 23. for "Remote Control ID Setting"



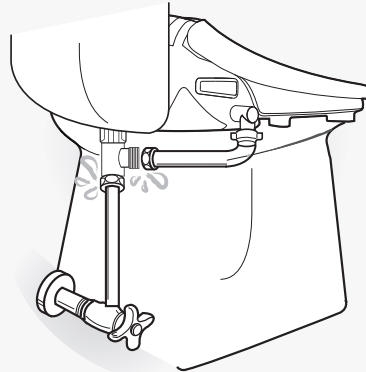
05. Trial Operation

Trial Operation

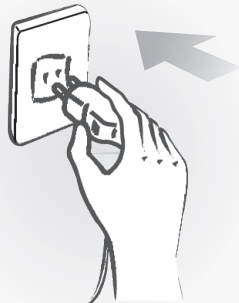
- 1 Open the water supply valve by turning it counterclockwise.



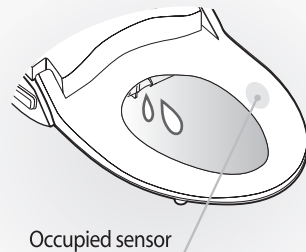
- 2 Check that there are no leaks around the hose connection.



- 3 Be sure that the nozzle comes out and retracts when powered on.
▶ Don't plug the power cord with wet hands.
Risk of electric shock.



- 4 Place your hand on the occupied sensor of the seat. The unit will fill with water. Check if water comes out from drain hold next to the nozzle for 1~2 seconds.



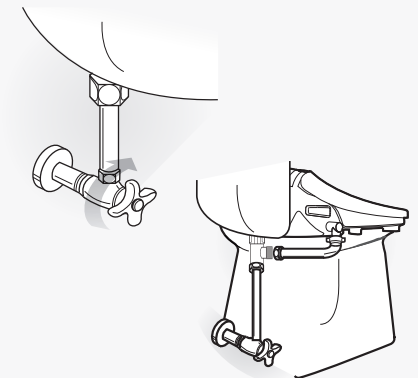
06. Disassembly of Product

Disassembly

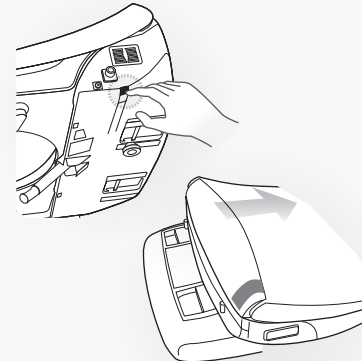
- 1 Unplug the power plug from the outlet.



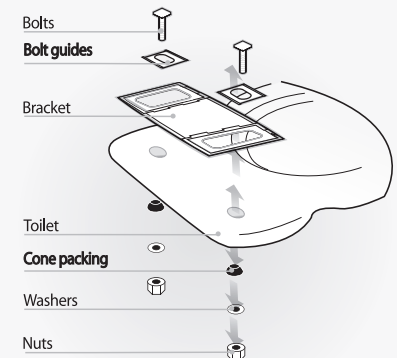
- 2 Close the water supply valve by turning it clockwise, completely drain out the toilet water tank, release the nuts at bidet body of the bidet hose, and then remove them from the main body.



- 3 Press the release/drain button on the side of bidet, completely drain the water out of the main body. While pressing the button, pull the main body forward, and then remove it from the toilet.

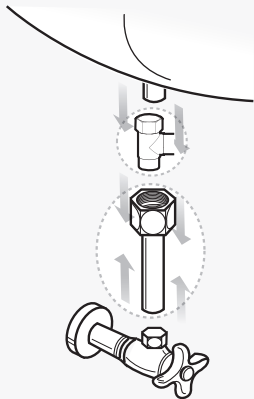


- 4 Release the nuts, and then remove the brackets from the toilet.

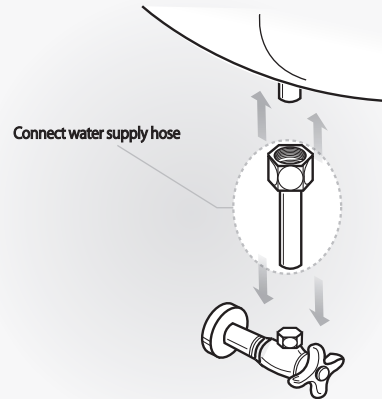


06. Disassembly of Product

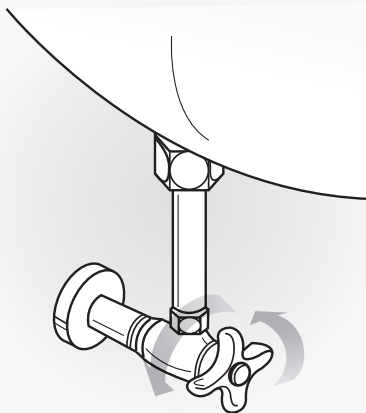
- 5 Remove bidet hose, toilet hose and T-valve.



- 6 Connect the water supply hose that was removed when the bidet was installed.



- 7 Open the water supply valve by turning it counterclockwise.



- 8 Attach the toilet seat and cover that were removed when the bidet was installed.

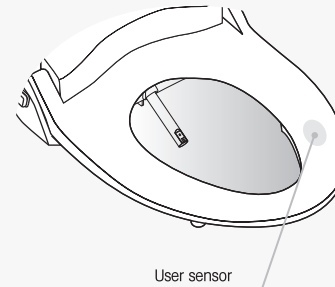


07. Operation

Basic Operation Method

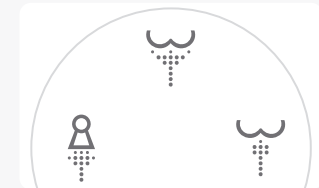
- 1 Sit on the toilet seat.

▶ Deodorization function starts automatically.



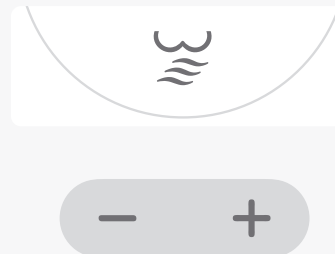
- 2 Press POSTERIOR, FEMININE, VORTEX WASH buttons.

- ▶ Selected function can be used as described. (When selecting VORTEX WASH function, Oscillate function cannot be used.) (when selecting Child function, VORTEX WASH function may not operate)
- ▶ dib's specialized water spray in VORTEX WASH function enters into rectum, and then helps relieve constipation and fecal stasis.
- ▶ Unless STOP button is pressed after POSTERIOR and FEMININE function, the dryer will start automatically.



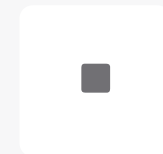
- 3 Press the DRY Button.

- ▶ Dryer temperature is adjustable. (5 levels)
- ▶ Selected function may be used for up to three (3) minutes.
- ▶ Dryer effect will be improved if you wipe the moisture lightly before operating the drying function.



- 4 Press the STOP Button.

- ▶ Selected functions stop.
- ▶ Press "STOP" on the side control panel for 3 seconds to turn off the unit.



07. Operation

5 Wide Clean (Oscillation)

- ▶ When pressing the Wide Clean button during the operation of POSTERIOR and FEMININE, nozzle will move back and forth to wash a wider range.
- ▶ When pressing the CHILD button during the operation of Wide Clean, the nozzle position can be adjusted in 5 positions.
- ▶ Wide Clean function will not operate during the operation of VORTEX WASH.

Wide Clean

6 Massage (Pulse)

- ▶ When pressing the Massage button during the operation of POSTERIOR, FEMININE and VORTEX WASH, water pressure will repeat high and low for smooth pulsating wash.

Massage

7 Water Pressure Control

- ▶ Adjust water pressure.

— +

8 Nozzle Position Control

- ▶ During the operation of POSTERIOR, FEMININE and VORTEX WASH, nozzle position can be adjusted by pressing ◀ / ▶.

◀ ▶

Basic Operation Method

9 CHILD Function

- ▶ Press the Child button to activate.
- ▶ Nozzle position will be one level move forward than normal.
- ▶ Water pressure will be one level weaker than normal.
- ▶ Seat temperature will be one level lower than normal.
- ▶ VORTEX WASH will not operate while Child mode is activating.

Child

10 Seat Temperature Control

- ▶ Temperature of seat can be adjusted to the desired level by pressing Seat temp.button.
- ▶ Room temp – Low – Middle – High

Seat temp

11 Water temperature control

- ▶ Temperature of water can be adjusted to the desired level by pressing Seat temp.button.
- ▶ Room temp – Low – Middle – High

Water temp

12 Energy saving modes

- ▶ Automatic energy save mode
 - This mode will be activated by pressing the Energy Saving button until yellow LED lamp lights on.
 - Seat will be kept at 32°C.
- ▶ Smart energy save mode
 - This mode will be activated by pressing the Energy Saving button until green LED lights on.
 - Seat temperature will be kept at 32°C, when it is not occupied, and raise the temperature back to preset level according to memorized time of use.
 - It may take 5 ~ 7 days to let the unit memorize the usage pattern.
- ▶ Cancel energy save mode
 - Press the Energy Saving button until LED is off to release the energy save modes.
- ▶ This unit adopts the instant heating technology for water heating and does not consume energy for water heating when it is in stand by mode.

07. Operation

13 Deodorizing function

- ▶ When sitting on the seat, deodorizing function starts automatically.
- ▶ Speed of deodorizing fan can be controlled. (refer to the User setting facilities, P.22)
- ▶ After leaving the seat, the deodorizing function will operate for 1 additional minute.

14 Low temperature burn protection

- ▶ To reduce the chance of low temperature burns, the seat has a seat heater auto adjustment function which turns on low temperature (32°C, 90°F) when user sits on the seat for more than 15 minutes consecutively.

15 User Preset

- ▶ Nozzle position, water pressure, dry/water/seat temperature can be preset and stored for 2 different users.

How to preset

- 1) Adjust nozzle position, water pressure, dry/water/seat temperature to your preference.
- 2) Preset 1 : Press Stop button first and ◀ (nozzle forward) simultaneously for 3 seconds.



- 2) Preset 2 : Press Stop button first and ▶ (nozzle backward) simultaneously for 3 seconds.



- 3) Press the "Stop" button or just wait. Red activating indicator will blink for 5 seconds when setting is completed.



Using the Preset Feature




- 1) Press selected preset button.
- 2) Preset nozzle position, water pressure, and temperatures will be activated.



08. Settings

8-1. User setting with the remote control

● : Seat Switch 'Off' Status ○ : Seat Switch 'On' Status ◐ : Regardless of On/Off

No	Function	Seat Status	Switch Operation	Description	Initial Status																																
1	On/Off Automatic Deodorizer Fan	●	 <p>Press the "Stop" and "Energy saving" for 3 seconds. Then adjust the fan speed by pressing "-" or "+" button. Leave the remote control alone for 5 seconds to complete the setting.</p>	<table border="1"> <thead> <tr> <th rowspan="2">Level</th> <th colspan="2">Fan speed</th> <th rowspan="2">Display of activating indicator</th> <th rowspan="2">Display of Energy saving (blinking)</th> </tr> <tr> <th>Occupied</th> <th>Unoccupied</th> </tr> </thead> <tbody> <tr> <td>Default</td> <td>High</td> <td>High</td> <td>Blinking</td> <td>Red</td> </tr> <tr> <td>0</td> <td>Off</td> <td>Off</td> <td>Blinking</td> <td>Off</td> </tr> <tr> <td>1</td> <td>Low</td> <td>Low</td> <td>Blinking</td> <td>Blue</td> </tr> <tr> <td>2</td> <td>Low</td> <td>High</td> <td>Blinking</td> <td>Purple</td> </tr> <tr> <td>3</td> <td>High</td> <td>High</td> <td>Blinking</td> <td>Red</td> </tr> </tbody> </table>	Level	Fan speed		Display of activating indicator	Display of Energy saving (blinking)	Occupied	Unoccupied	Default	High	High	Blinking	Red	0	Off	Off	Blinking	Off	1	Low	Low	Blinking	Blue	2	Low	High	Blinking	Purple	3	High	High	Blinking	Red	High speed in both modes
Level	Fan speed		Display of activating indicator	Display of Energy saving (blinking)																																	
	Occupied	Unoccupied																																			
Default	High	High	Blinking	Red																																	
0	Off	Off	Blinking	Off																																	
1	Low	Low	Blinking	Blue																																	
2	Low	High	Blinking	Purple																																	
3	High	High	Blinking	Red																																	
2	Setting the ID of remote control	◐	 <p>Press the "Wide Clean" button for 3 seconds. Then set the ID 0~3 by pressing "-" or "+". Leave the remote control alone for 5 seconds to set the ID.</p>	<table border="1"> <thead> <tr> <th>Level</th> <th>Display of activating indicator</th> <th>Display of Seat temp (blinking)</th> </tr> </thead> <tbody> <tr> <td>Default</td> <td>-</td> <td>-</td> </tr> <tr> <td>0</td> <td>Blinking</td> <td>Off</td> </tr> <tr> <td>1</td> <td>Blinking</td> <td>Blue</td> </tr> <tr> <td>2</td> <td>Blinking</td> <td>Purple</td> </tr> <tr> <td>3</td> <td>Blinking</td> <td>Red</td> </tr> </tbody> </table>	Level	Display of activating indicator	Display of Seat temp (blinking)	Default	-	-	0	Blinking	Off	1	Blinking	Blue	2	Blinking	Purple	3	Blinking	Red	ID "0"														
Level	Display of activating indicator	Display of Seat temp (blinking)																																			
Default	-	-																																			
0	Blinking	Off																																			
1	Blinking	Blue																																			
2	Blinking	Purple																																			
3	Blinking	Red																																			
3	On/Off Night Light	◐	 <p>Press "+" button for 3 seconds.</p>	Night light can be turned on and off by pressing "+" button on the remote.	Night light is turned on.																																

※ Using inline carbon filter

Use of external water filter is only recommended in areas with known hard water issues.

If a filter is used, it must be replaced every 3 months.

This product is designed and intended for use exclusively with BioBidet DIB water filters.

The purchase or use of any other water filter is not the responsibility of BBC Innovation.

As such, any use of non DIB water filters is prohibited and will void the warranty for those BioBidet products.

BioBidet will not be responsible for any resulting damages or claims related to the misuse or distribution of non BioBidet DIB filters.

08.Settings

8-2.Extra functions with side control panel

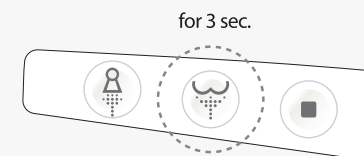
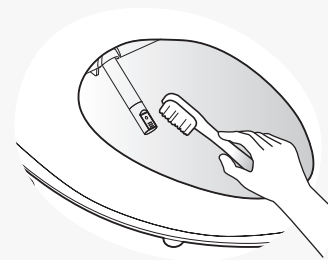
● : Seat Switch 'Off' Status ○ : Seat Switch 'On' Status ◐ : Regardless of On/Off

No	Function	Seat Status	Switch Operation	Description
1	Manual Nozzle Cleaning	●	Press "Posterior" for longer than 3 sec.	Nozzle will move forward for cleaning.
			Press "STOP"	Nozzle will retract and clean itself.
2	Power off	●	Press "STOP" for 3 sec.	Press one of "Stop", "Posterior" or "Feminine" to power on.
3	Factory Default Setting	●	Press "STOP" for longer than 5 sec.	All setting will be initialized.
4	Selecting/Cancelling Silent Mode	●	Press "Feminine" for longer than 3 sec.	To on/off the chime sound.

09.Maintenance & Cleaning

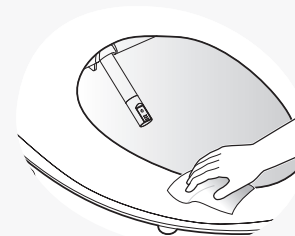
Manual nozzle cleaning

- 1 Press POSTERIOR (on the side control panel) for longer than 3 seconds, and then nozzle will extract and stop (for 2 minutes).
- 2 Clean the nozzle with an unused toothbrush, etc., and press STOP (on the unit's side control panel). Then the nozzle will retract.



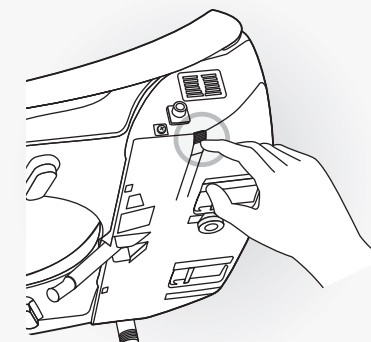
Cleaning of Bidet Body

- 1 Exterior surface of bidet is made of plastic material, which may be damaged by scrubber, chemicals, etc.
- 2 Wipe the surface with a soft damp cloth. Do not spray water directly onto the surface.
- 3 Clean the body after removing the power plug from the outlet. Be sure no water splashes onto the power plug or outlet.
- 4 Do not touch the power outlet with wet hands. Risk of electric shock.



Draining of remaining water

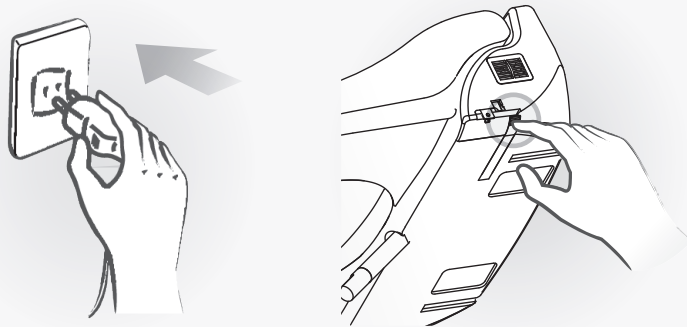
- 1 Remove the power plug from the outlet.
- 2 Close the water feed valve by turning it counterclockwise.
- 3 Press the button on the side of main body to drain the water.



09. Maintenance & Cleaning

Maintenance during winter season

- 1 Insert the power plug into the outlet and be sure if the power is supplied.
- 2 When the dib will not be used for a long time (more than a few days), close the water shut off valve and drain the water from the bidet.



10. Troubleshooting

※ Please check the following points before requesting the repair of the product.

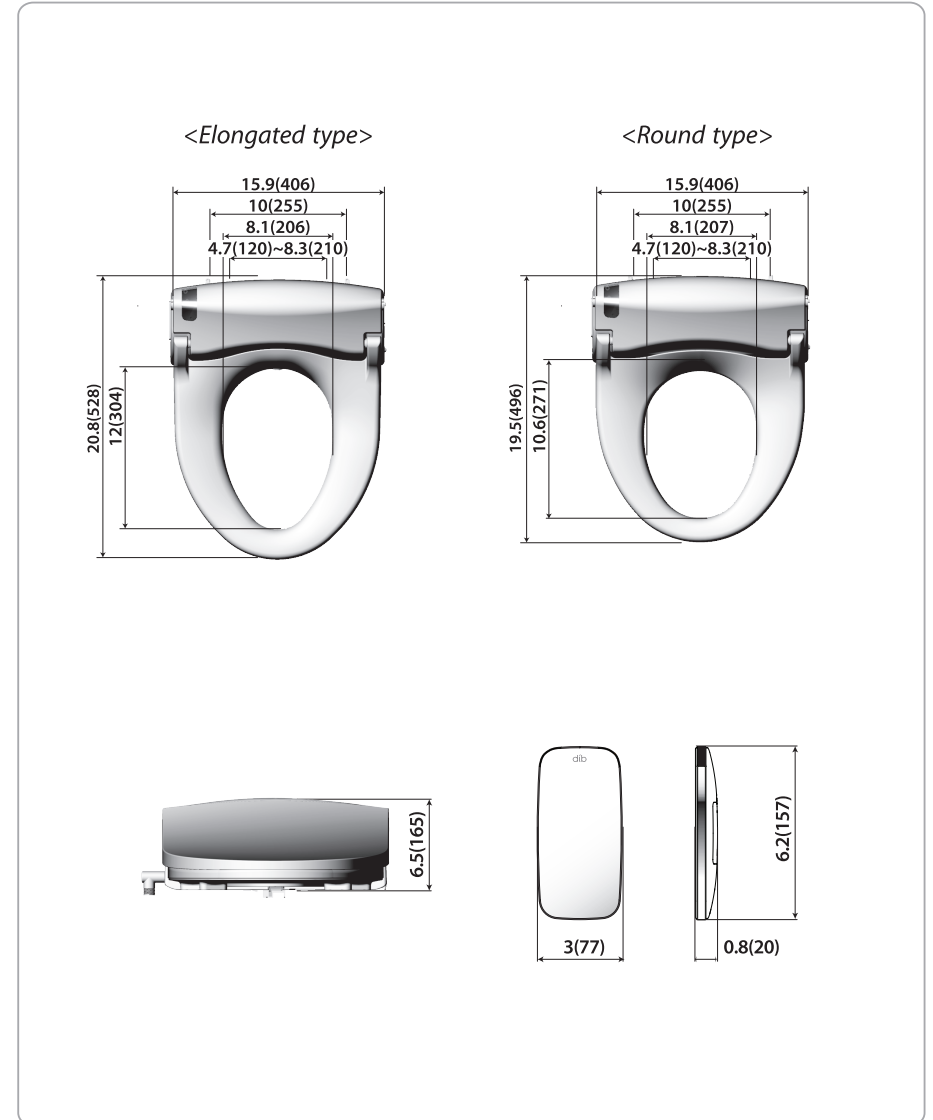
Problem	Check list
The bidet is not working	<ul style="list-style-type: none">• Check if the power plug is not connected.• Check for power failure.
Water does not spray	<ul style="list-style-type: none">• Check if the water supply is suspended.• Check if water supply valve is locked.• Check if nozzle is locked by foreign materials.• Check if connection hose is bent.
Water pressure is low	<ul style="list-style-type: none">• Check of the water pressure is set at too low level.
Water is not war enough	<ul style="list-style-type: none">• Check if its temperature is set at 'off' or 'low'• Check if energy save mode is on.
Seat is not warm enough	<ul style="list-style-type: none">• Check if its temperature is set at 'off' or 'low'• Check if energy save mode is on.
Vortex wash is not operated	<ul style="list-style-type: none">• Check if it is set on CHILD mode.• Check if energy save mode is on.

1. Product Specifications

Item		DIB-850	
Rated Voltage		AC 120V, 60Hz	
Max. Consumption Power		1270W	
Power Cord Length		4ft.	
Water Feed Method		Directly Connected to Water Pipe	
Water Pressure		9.9 ~ 106.6psi	
Wash	Feeding Volume	Posterior	0.16gal/min
		Feminine	0.16gal/min
		Vortex wash	0.16gal/min
	Water Pressure Control	5-Step Control	
	Temp. Control	Room Temp. ~ 100 °F	
	Heat Capa.	1200W	
Heated Seat	Safety Device	Temp. Fuse, Thermo Switch	
	Temp. Control	Room Temp. ~ 107 °F	
	Heater Capa.	55W	
Dry	Safety Device	Temp. Fuse	
	Temp. Control	Room Temp. ~ 122 °F	
	Heater Capa.	250W	
Safety Device		Temp. Fuse, Bi-metal	
Deodorization		Catalytic Deodorization	
Product Dimension ※ inch(mm)	Elongated	15.9"(406) x 20.8"(528) x 6.5"(165)	
	Round	15.9"(406) x 19.5"(496) x 6.5"(165)	
Product Weight /Gross weight ※ lb(kg)	Elongated	10.8 (4.9kg) / 17.4 (7.9kg)	
	Round	10.6 (4.8kg) / 17.2 (7.8kg)	

■ Dimension diagrams

inch (mm)



- WARRANTY -

1. We hereby guarantee the product as follow in accordance with the regulation of consumer damage compensation.
2. In case of failure of the product, please inform the distributor where you purchased the product.
3. Product Warranty will be effective for one year from date of purchase.

Customer name		Warranty Period
Model Name		One (1) year since the date purchased
Date Purchased		
SER. No.		
Customer's Address		Name
		Tel.No
Distributor's Address		Name
		Tel.No.

Regarding Product Warranty Regulation...

1. We will repair the product at free of charge in case it was failed under the normal operating condition in accordance with the user's guide during the warranty period.
2. Although it is within the warranty period, we will charge the repair service fee etc. (repair + product + travel expense) if it falls under the following cases.

Voiding warranty

1. Defects occurred from the user's careless handling
2. Defects occurred from the usage with incorrect power voltage (E.g., 220V was used to the 110V product.)
3. Defects occurred from the improper repair done by the person other than our service engineer.
4. Defects occurred from Force Majeure (fire, salt, flood, etc.)
5. Failure or damage due to the drop, etc. (user's mis-handling) during the operation after installed
6. Defect occurred from the interior modification at user's discretion
7. In case the life cycle of the part expired

Mail, email or fax the warranty form to:

YOUR LOCAL DEALER FIRST where you bought this appliance

If your dealer is unable to assist you

BBC Innovation Corp.

7900 S Illinois Route 31 T) 847,458,2334
 Crystal Lake IL 60014 T) 877,339,5214
 www.biobidet.com F) 847,854,1296