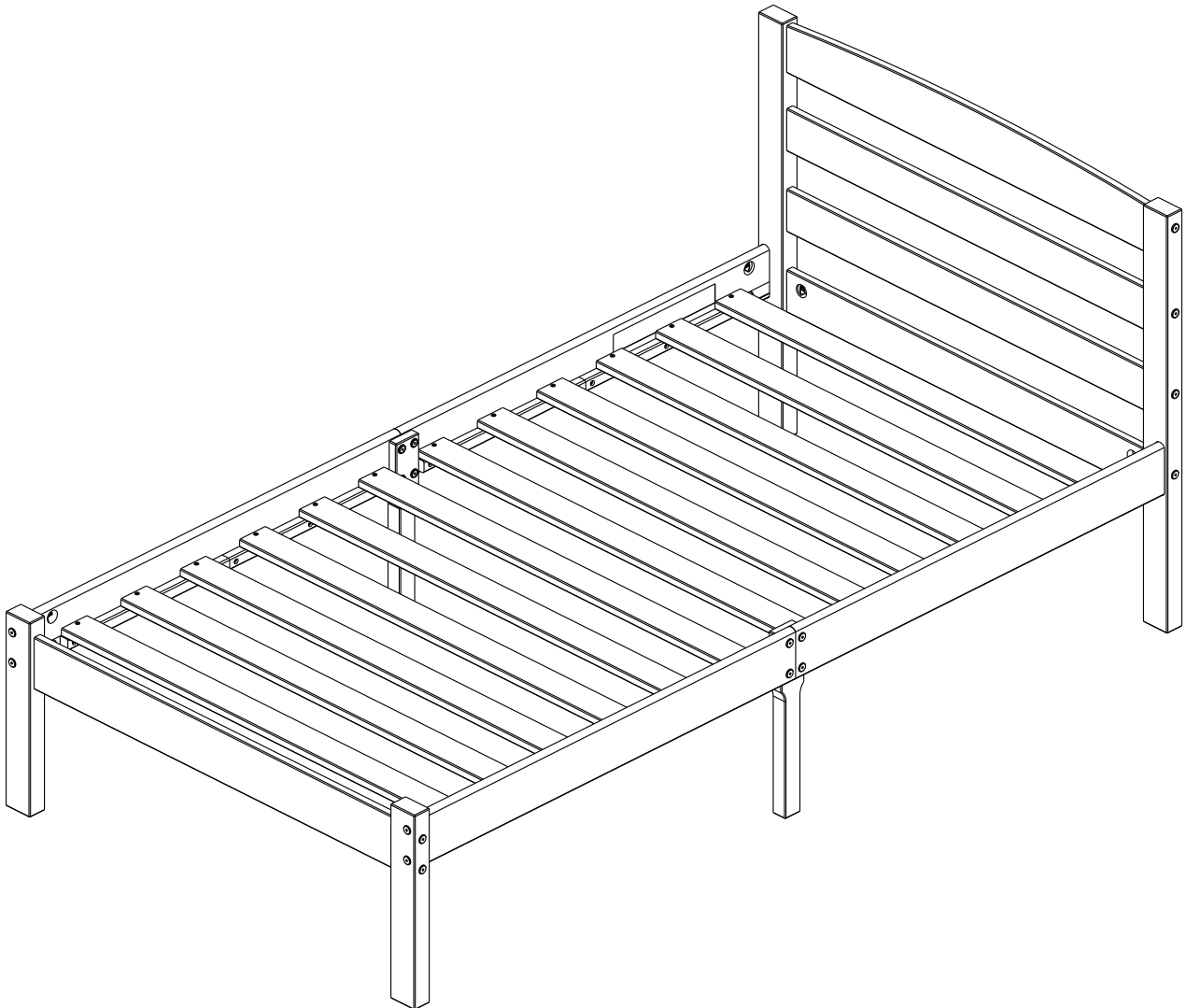




Urban Oak Twin Bed



**READ ALL INSTRUCTIONS BEFORE ASSEMBLING TWIN BED.
KEEP INSTRUCTIONS FOR FUTURE USE.
THE ASSEMBLY OF THIS PRODUCT REQUIRES TWO ADULTS.**

P'kolino products meet or exceed US, EU, and Canadian safety standards. REG. NO. PA-27620 (CN)
P'kolino (pee-ko-lee-no) © 2024 P'kolino, LLC. All Rights Reserved. All New Materials: Pine Wood. FSC certified. Non toxic and VOC free finish.
Questions or comments? Please email: customercare@pkolino.com Or write to: P'kolino • 7300 NW 35th Ave • Miami, FL 33147, USA. May 2024



WARNING:

ADULT ASSEMBLY REQUIRED.

Product must be assembled by an adult before use.

After assembly has been completed, all remaining materials and packages are to be recycled according to the regulations in force and kept out of children's reach. Components left after the assembly are not intended for play.

Failure to follow these warnings and the assembly instructions could result in serious injury or death.

Twin bed is intended for home use, not to be used in public institutions. (hospitals, daycares, etc.)



WARNING:

California Proposition 65

This product can expose you to chemicals including wood dust, which is known to the State of California to cause cancer and birth defects or other reproductive harm. For more information, go to www.p65warnings.ca.gov.

PRODUCT REGISTRATION

PRODUCT REGISTRATION FOR SAFETY ALERT OR RECALL ONLY

We will use the information provided to contact you **ONLY** if there is a safety alert or recall for this product. We will not sell, rent or share your personal information. To register your product, please complete the form on our website at:

www.pkolino.com/registration



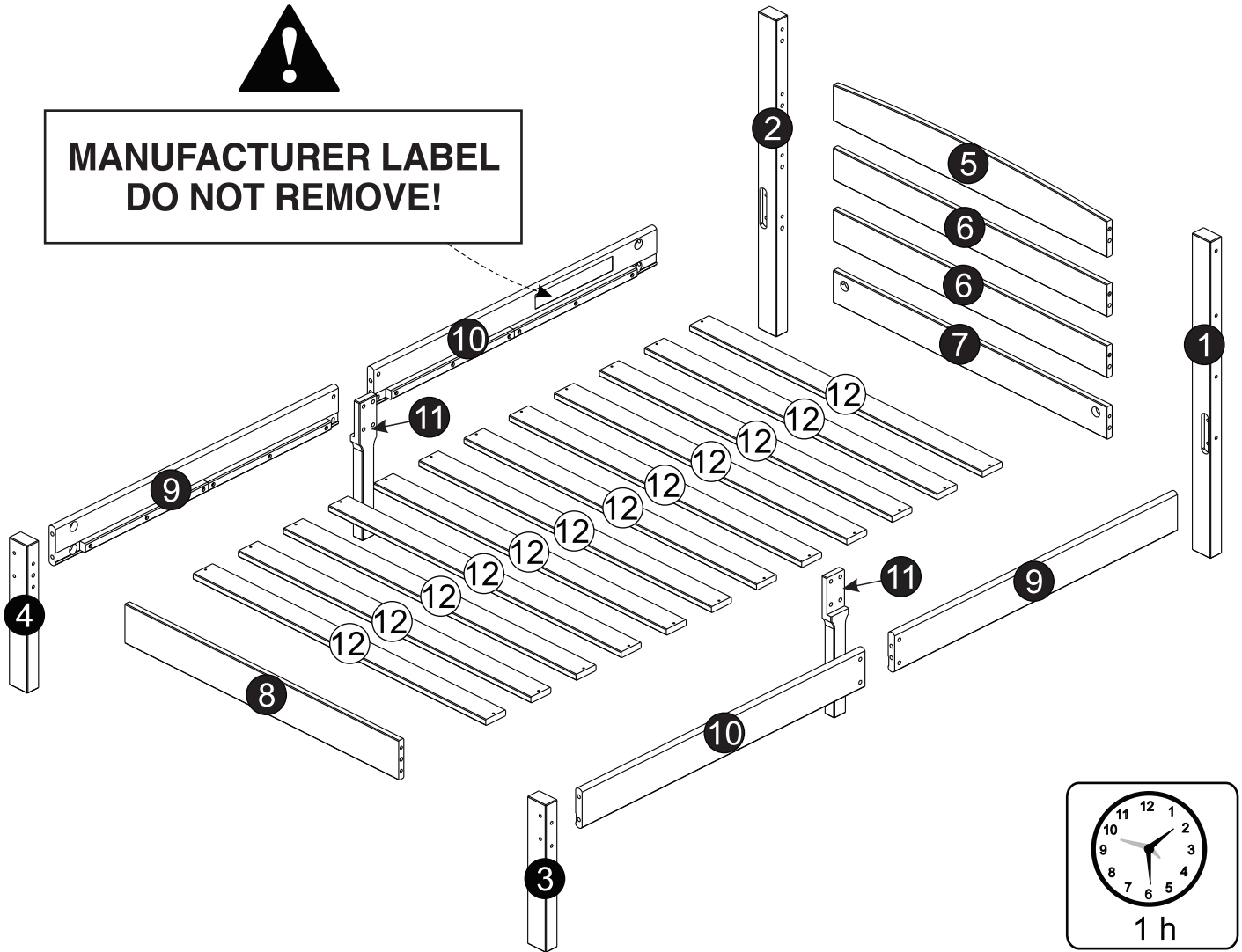
**Scan QR Code
to Register**

This Box Contains:

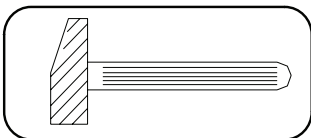
Bed Parts:



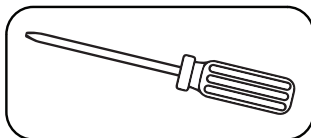
**MANUFACTURER LABEL
DO NOT REMOVE!**



Tools Required



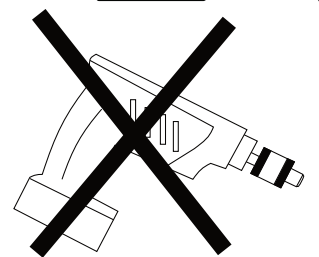
Hammer
(not included)



Phillips Screwdriver
(not included)



**PLEASE ASSEMBLE BED ON THE
GROUND, BUT FIRST PLACE
SOME PROTECTIVE MATERIAL,
SUCH AS A RUG OR CARDBOARD
BOX, ON FLOOR TO PREVENT
ANY DAMAGE TO THE BED.**



**THE USE OF POWER TOOLS
IS NOT RECOMMENDED
BECAUSE THEY CAN
DAMAGE HARDWARE
AND/OR SPLIT THE WOOD.**

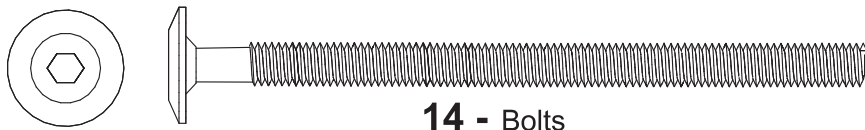
P'kolino products meet or exceed US, EU, and Canadian safety standards. REG. NO. PA-27620 (CN)

P'kolino (pee-ko-lee-no) © 2024 P'kolino, LLC. All Rights Reserved. All New Materials: Pine Wood. FSC certified. Non toxic and VOC free finish.

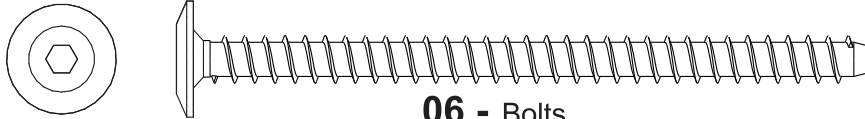
Questions or comments? Please email: customercare@pkolino.com Or write to: P'kolino • 7300 NW 35th Ave • Miami, FL 33147, USA. May 2024

This Box Contains:

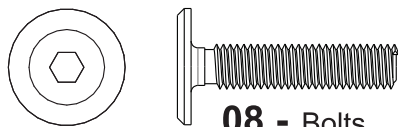
Hardware:



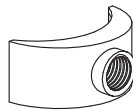
14 - Bolts
3 7/8" (1/4" x 100mm) (A)



06 - Bolts
3 7/8" (7 x 100mm) (B)



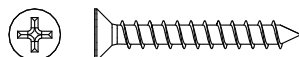
08 - Bolts
1 1/8" (1/4x 30mm) (C)



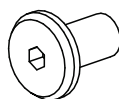
14 - 1/4 Half Moon Nut (D)



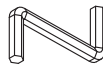
14 - Wooden dowels
1 9/16" (10 x 40mm) (E)



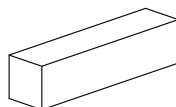
24 - Screws
1 3/16" (4 x 30mm) (F)



08 - 1/4" Nut (G)



02 - Allen wrench (H)



02 - Wooden spacer
3 5/16" (85mm) (I)

FOR MISSING PARTS OR HARDWARE:

DO NOT CONTACT THE STORE WHERE YOU MADE YOUR PURCHASE.

Please contact the manufacturer directly at customercare@pkolino.com or 888-403-8992.
For customer service cases involving hardware please provide the part number.

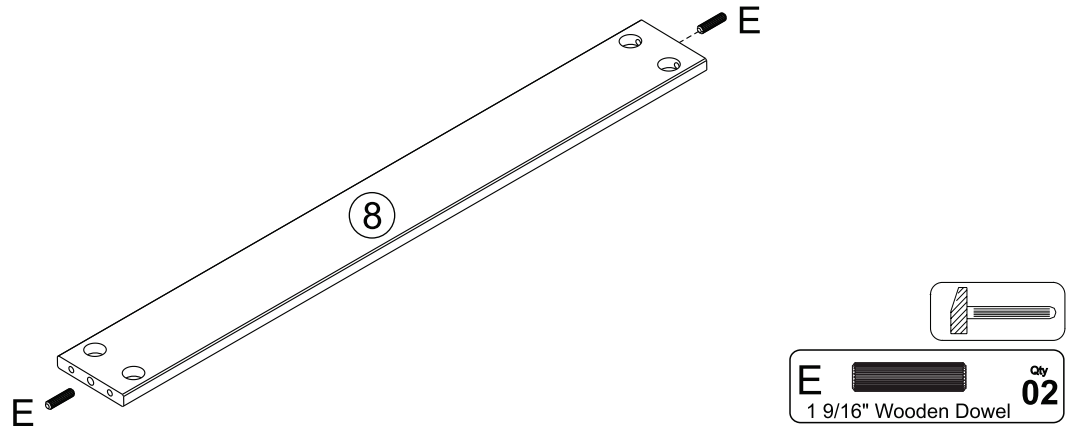
Assembly Instructions

THE USE OF POWER TOOLS IS NOT RECOMMENDED BECAUSE THEY CAN DAMAGE HARDWARE AND/OR SPLIT THE WOOD.

Step 1

Footboard

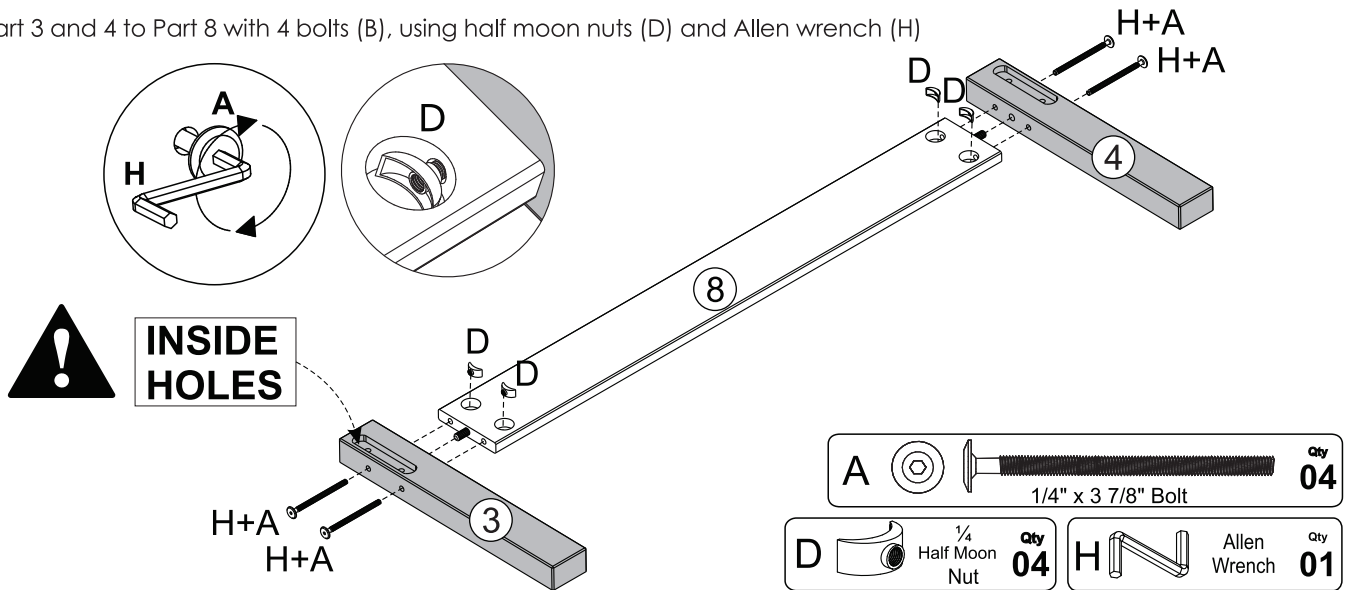
Insert 2 wooden dowels (E) into the holes on Part 8. NOTE: Wooden dowels should only be inserted halfway into holes.



Step 2

Footboard

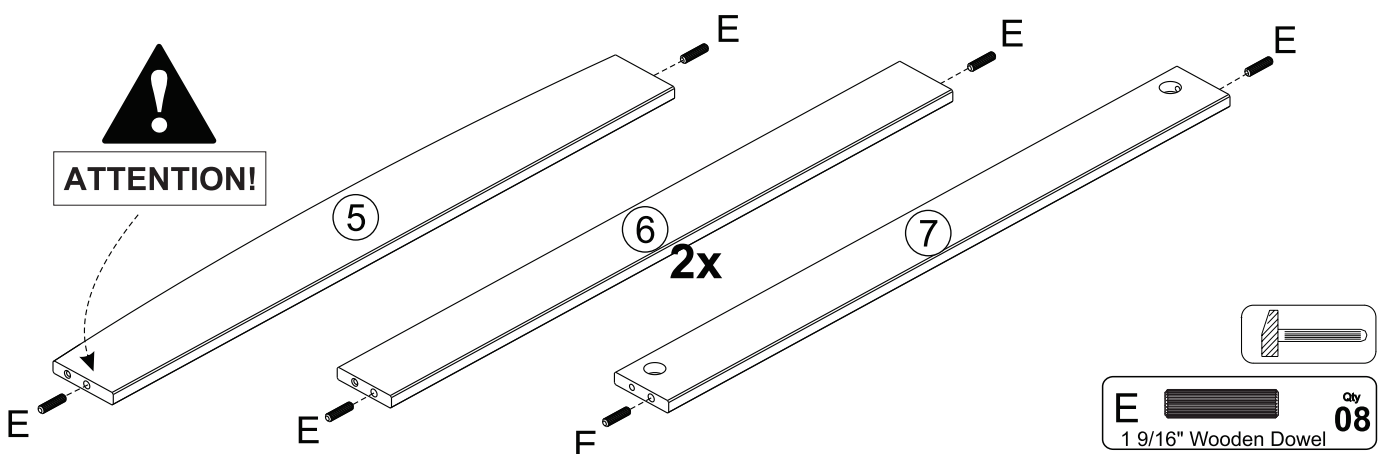
Attach Part 3 and 4 to Part 8 with 4 bolts (B), using half moon nuts (D) and Allen wrench (H)



Step 3

Headboard

Insert 8 wooden dowels (E) into the holes on Part 5, 6 and 7. NOTE: Wooden dowels should only be inserted halfway into holes.



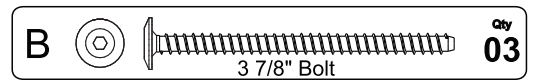
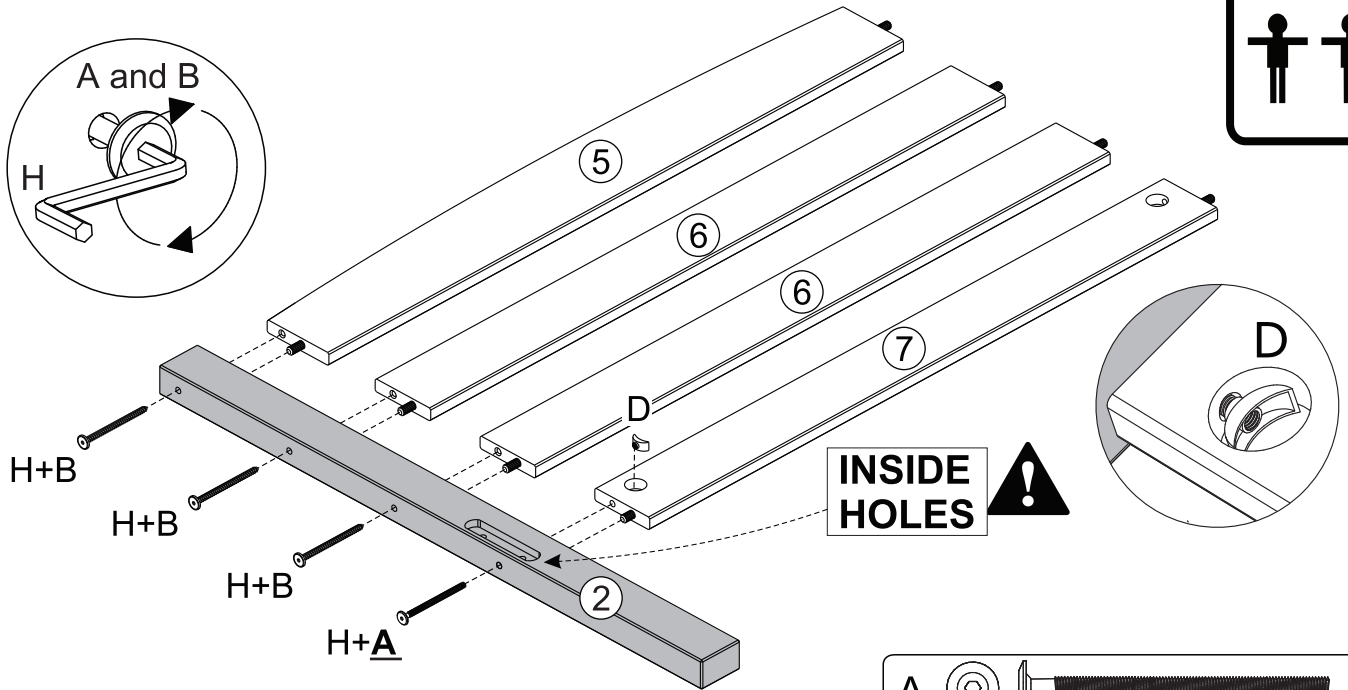
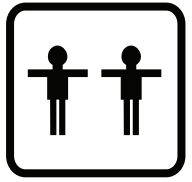
Step 4

Headboard

Using Allen wrench, attach Part 5 to Part 2 with 1 bolt (B), and Parts 6 to Part 2 with 2 bolts (B). Attach Part 7 to Part 2 with 1 bolt (A), using half moon nut (D) and Allen wrench (H).



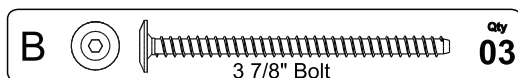
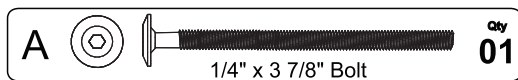
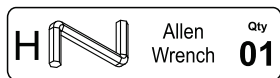
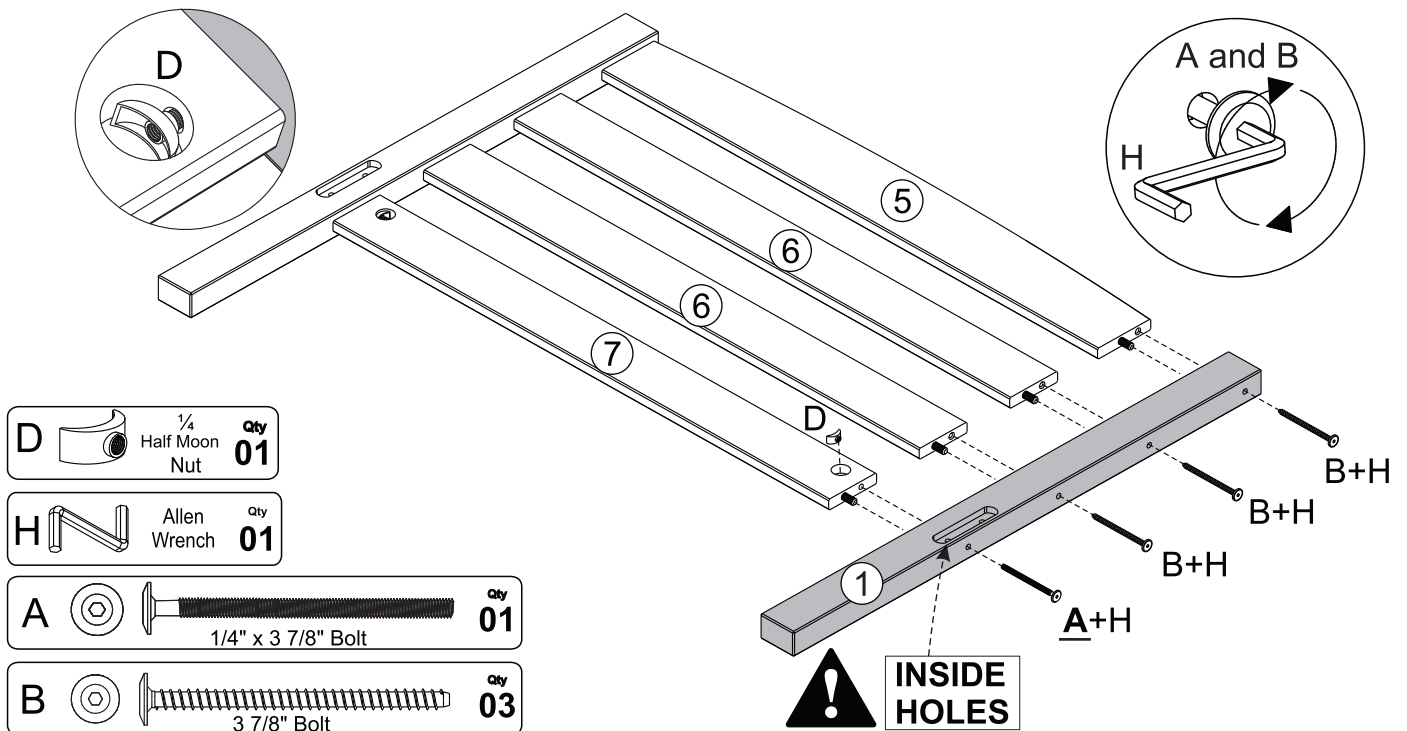
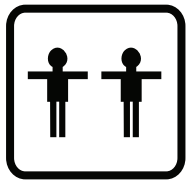
PLEASE ASSEMBLE BED ON THE GROUND, BUT FIRST PLACE SOME PROTECTIVE MATERIAL, SUCH AS A RUG OR CARDBOARD BOX, ON FLOOR TO PREVENT ANY DAMAGE TO THE BED.



Step 5

Headboard

Using Allen wrench, attach Part 5 to Part 2 with 1 bolt (B), and Parts 6 to Part 2 with 2 bolts (B). Attach Part 7 to Part 2 with 1 bolt (A), using half moon nut (D) and Allen wrench (H).



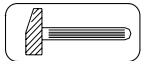
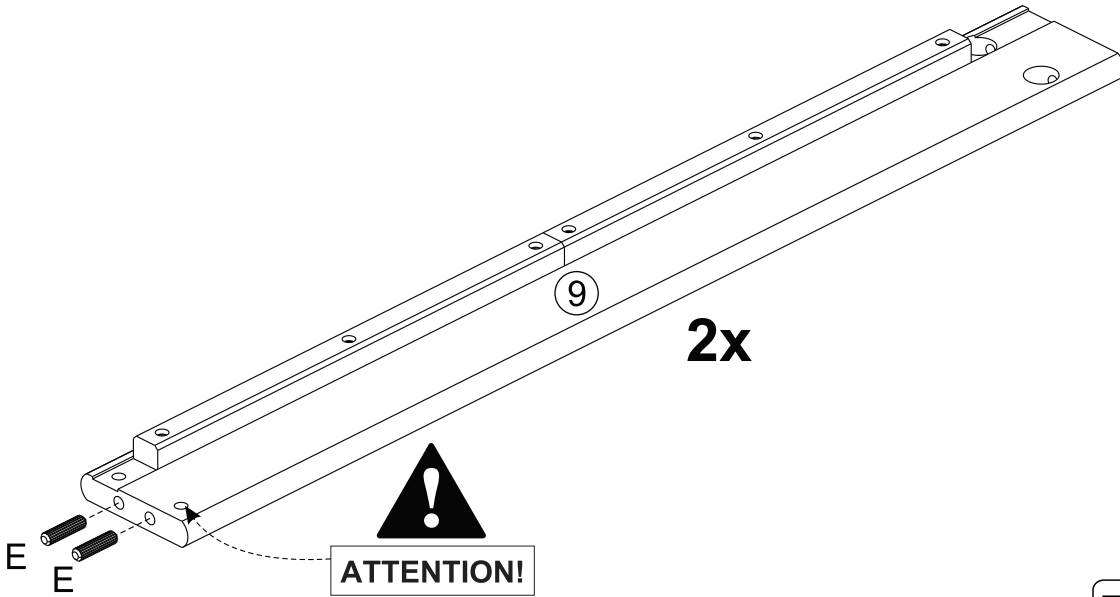
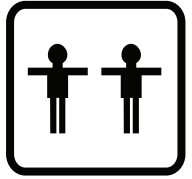
Step 6

Siderails

Insert 2 wooden dowels (E) into the holes on Parts 9.
 NOTE: Wooden dowels should only be inserted halfway into holes.
 Do this step twice.



PLEASE ASSEMBLE BED ON THE GROUND, BUT FIRST PLACE SOME PROTECTIVE MATERIAL, SUCH AS A RUG OR CARDBOARD BOX, ON FLOOR TO PREVENT ANY DAMAGE TO THE BED.

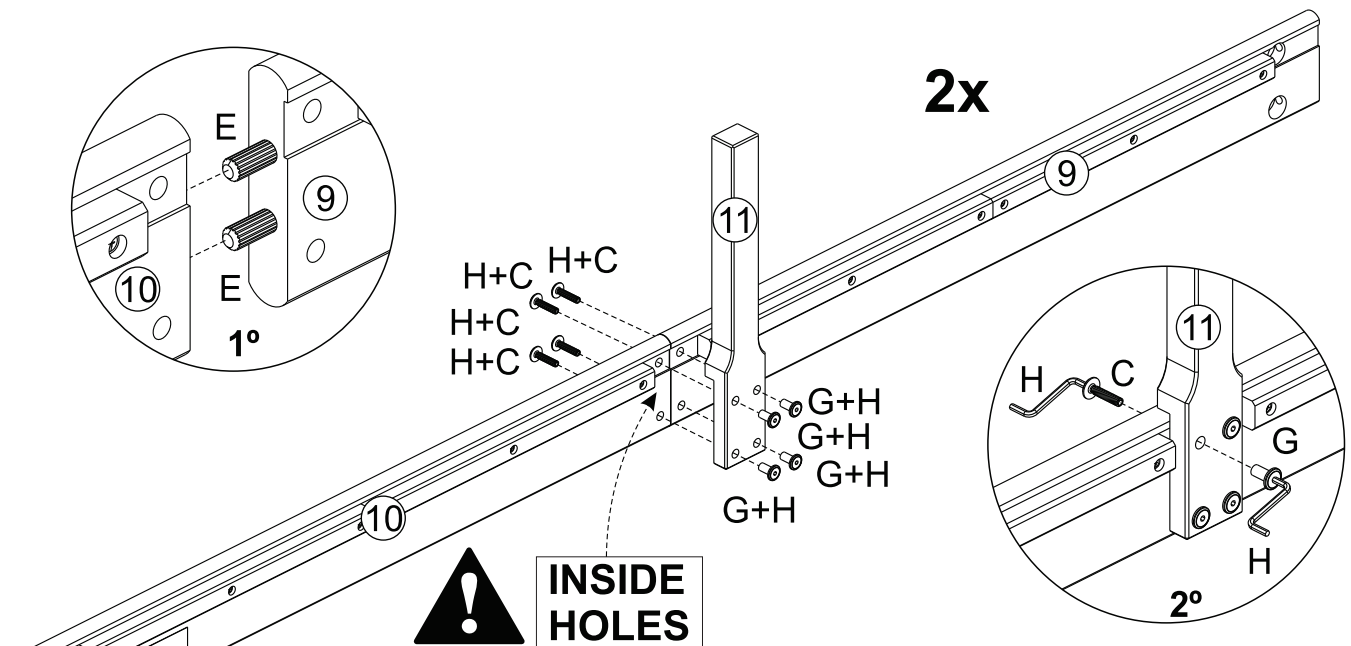
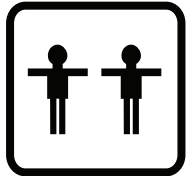


E  **04**
 1 9/16" Wooden Dowel


Step 7


Siderails

Attach Part 9 and 10 to Part 11 with 4 bolts (C) and 4 nuts (G) using 2 Allen wrenches (H).
 Do this step twice.



**MANUFACTURER LABEL
 DO NOT REMOVE!**

C  **08**
 1 1/8" Bolt

G  **08**
 1/4 Nut

H  **02**
 Allen Wrench

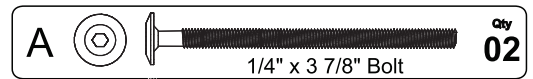
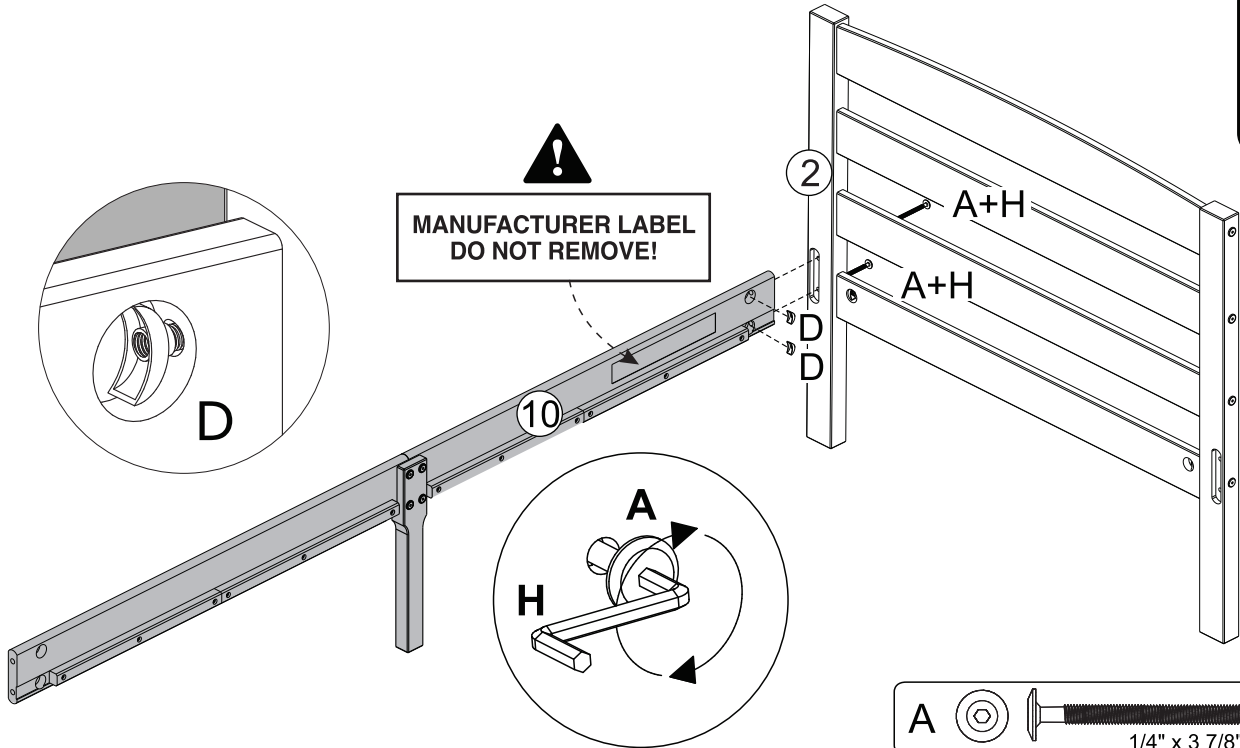
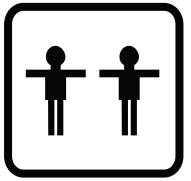
Step 8

Siderails

Attach Siderail 10 to the Headboard with 2 bolts (A) and 2 half moon nuts (D) using Allen wrench (H).



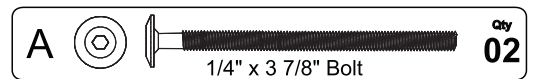
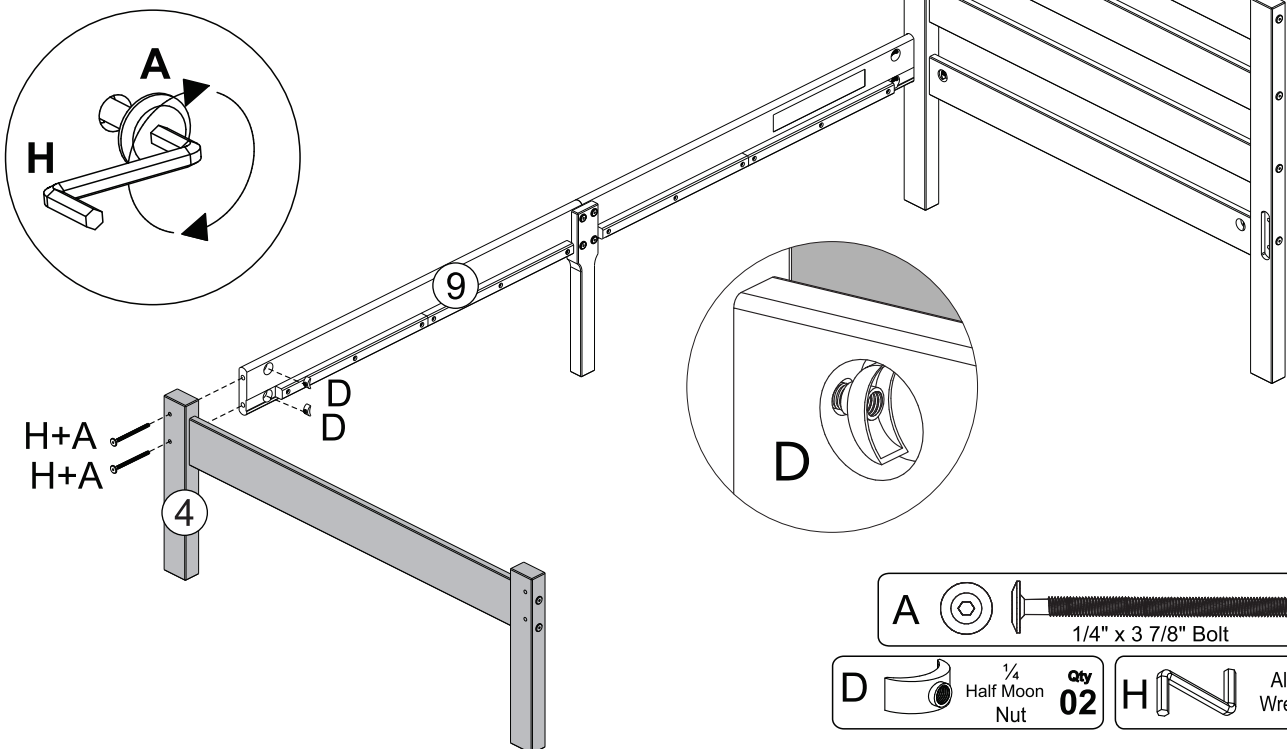
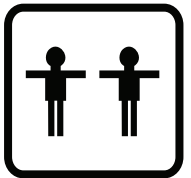
PLEASE ASSEMBLE BED ON THE GROUND, BUT FIRST PLACE SOME PROTECTIVE MATERIAL, SUCH AS A RUG OR CARDBOARD BOX, ON FLOOR TO PREVENT ANY DAMAGE TO THE BED.



Step 9

Siderails

Attach the Footboard to the Siderail with 2 bolts (A) and 2 half moon nuts (D) using Allen wrench (H).



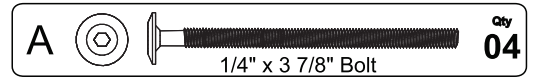
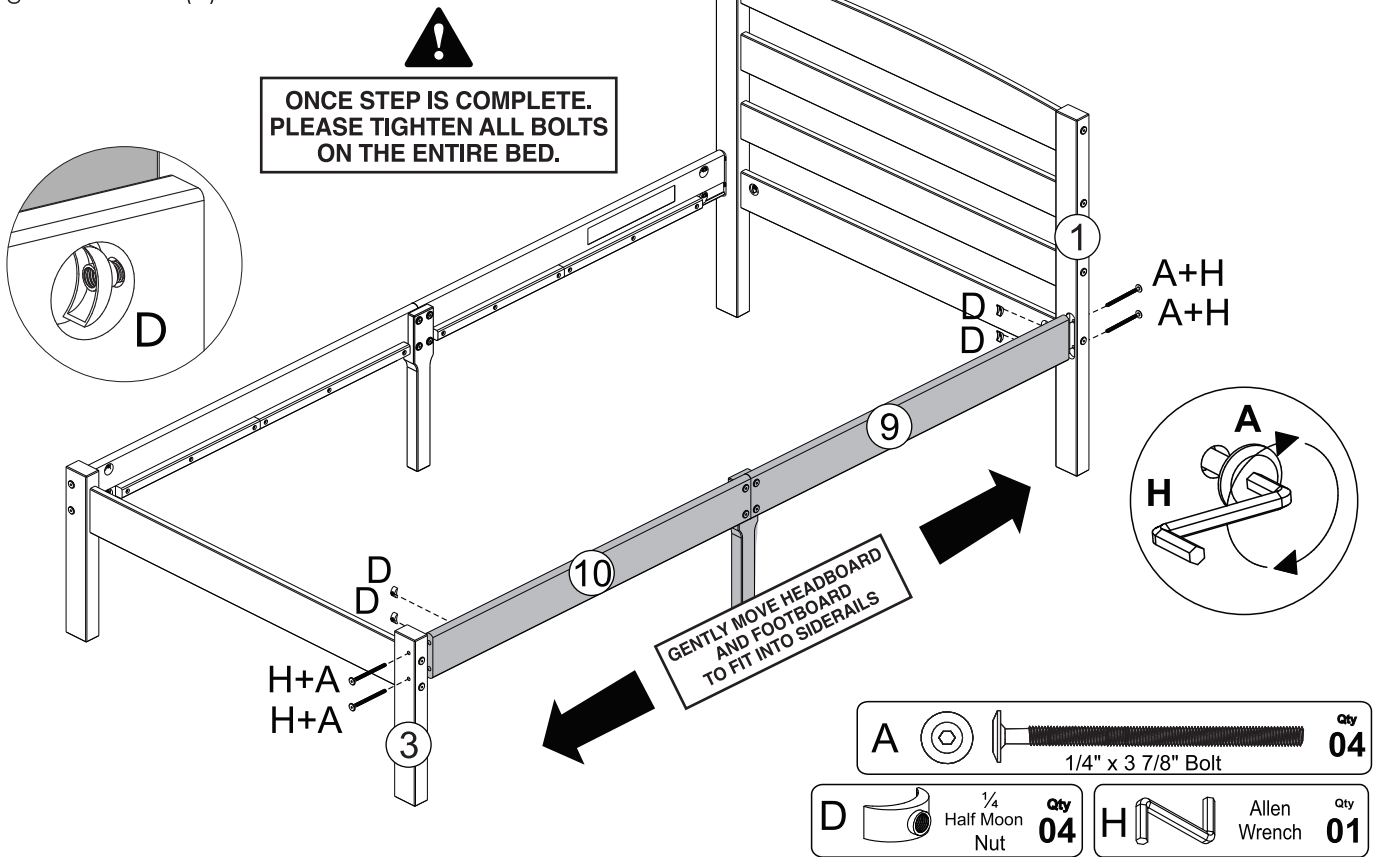
Step 10

Siderails

Attach Siderail 9 and 10 to the Headboard and Footboard with 4 bolts (A) and 4 half moon nuts (D) using Allen wrench (H).



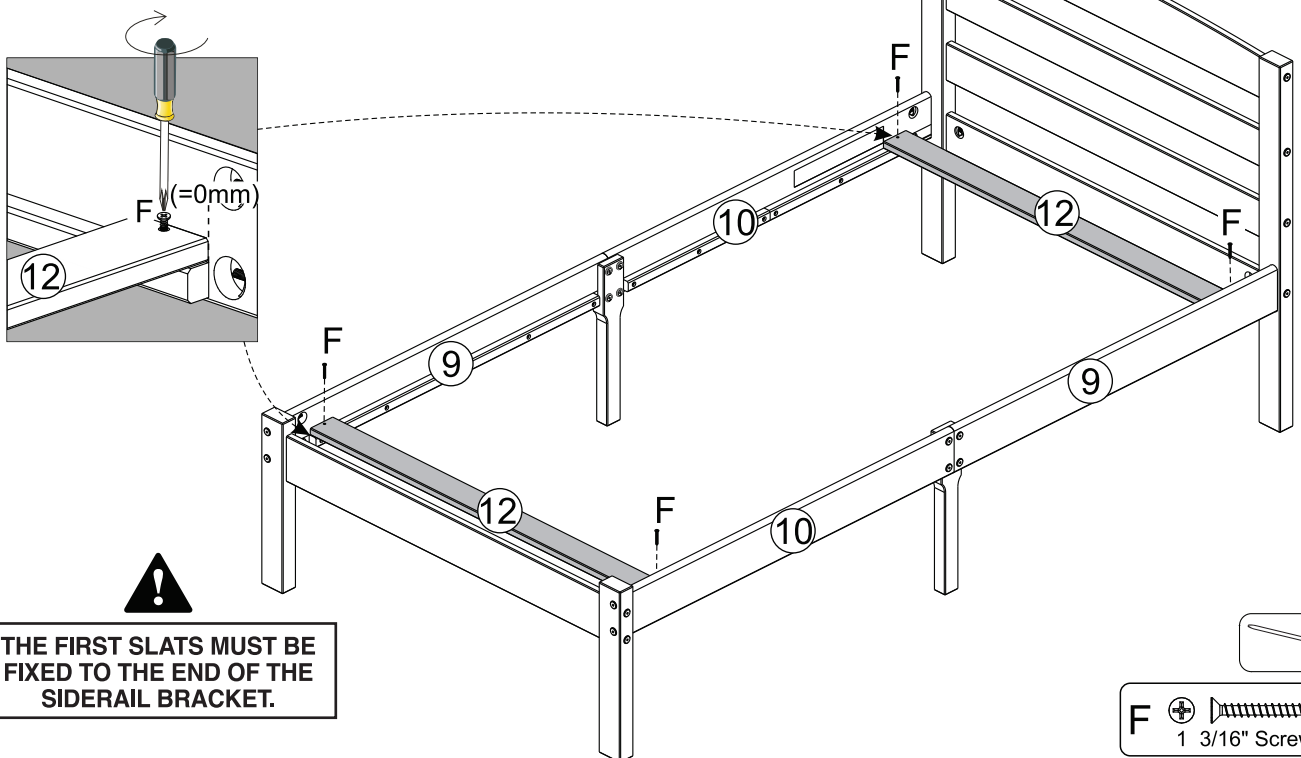
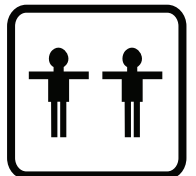
PLEASE ASSEMBLE BED ON THE GROUND, BUT FIRST PLACE SOME PROTECTIVE MATERIAL, SUCH AS A RUG OR CARDBOARD BOX, ON FLOOR TO PREVENT ANY DAMAGE TO THE BED.



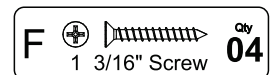
Step 11

Bed Slats

Attach the first 2 slats of Part 12 to the ends of the siderail base with 4 screws (F), using the Phillips screwdriver.



THE FIRST SLATS MUST BE FIXED TO THE END OF THE SIDERAIL BRACKET.



Step 12

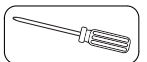
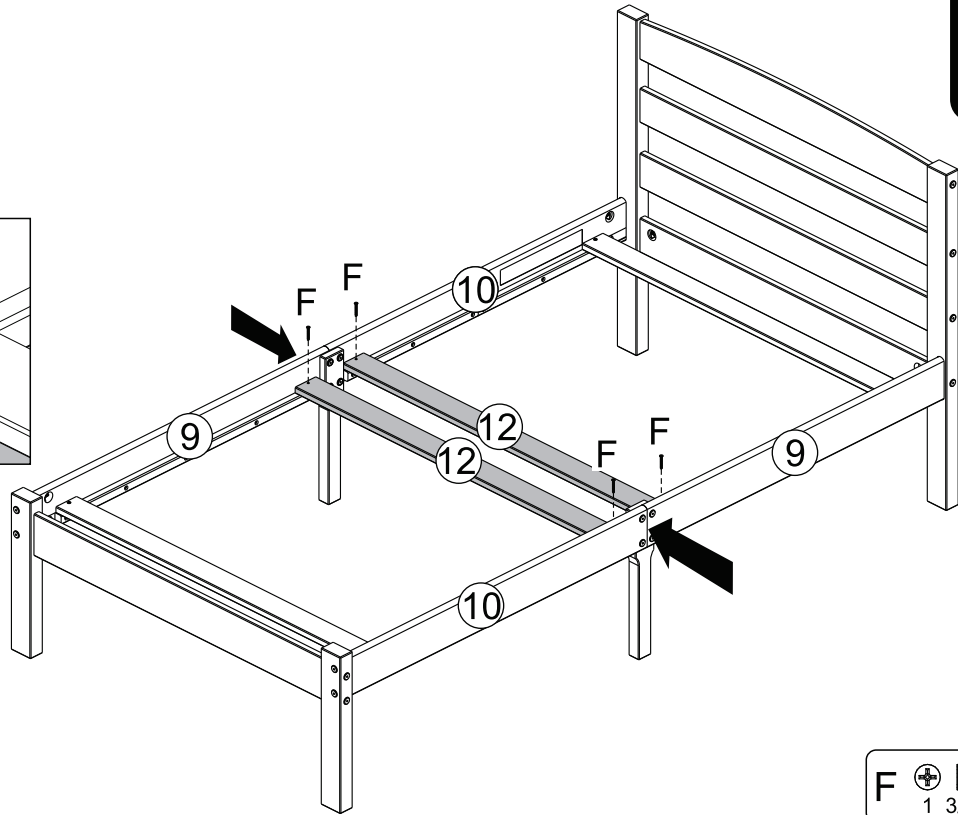
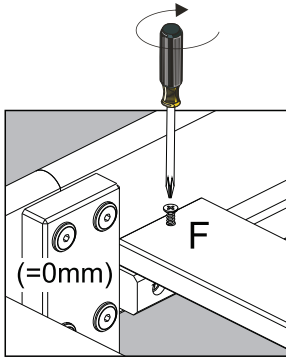
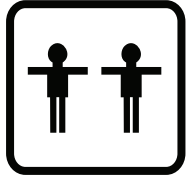
Siderails

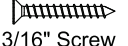
Attach the 2 central slats of Part 12 to the ends of the siderails base with 4 screws (F), using Phillips screwdriver.

NOTE: Warping may occur because it is natural wood. To facilitate the placement of the screws, you must press the two siderails simultaneously.



PLEASE ASSEMBLE BED ON THE GROUND, BUT FIRST PLACE SOME PROTECTIVE MATERIAL, SUCH AS A RUG OR CARDBOARD BOX, ON FLOOR TO PREVENT ANY DAMAGE TO THE BED.

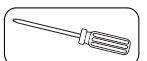
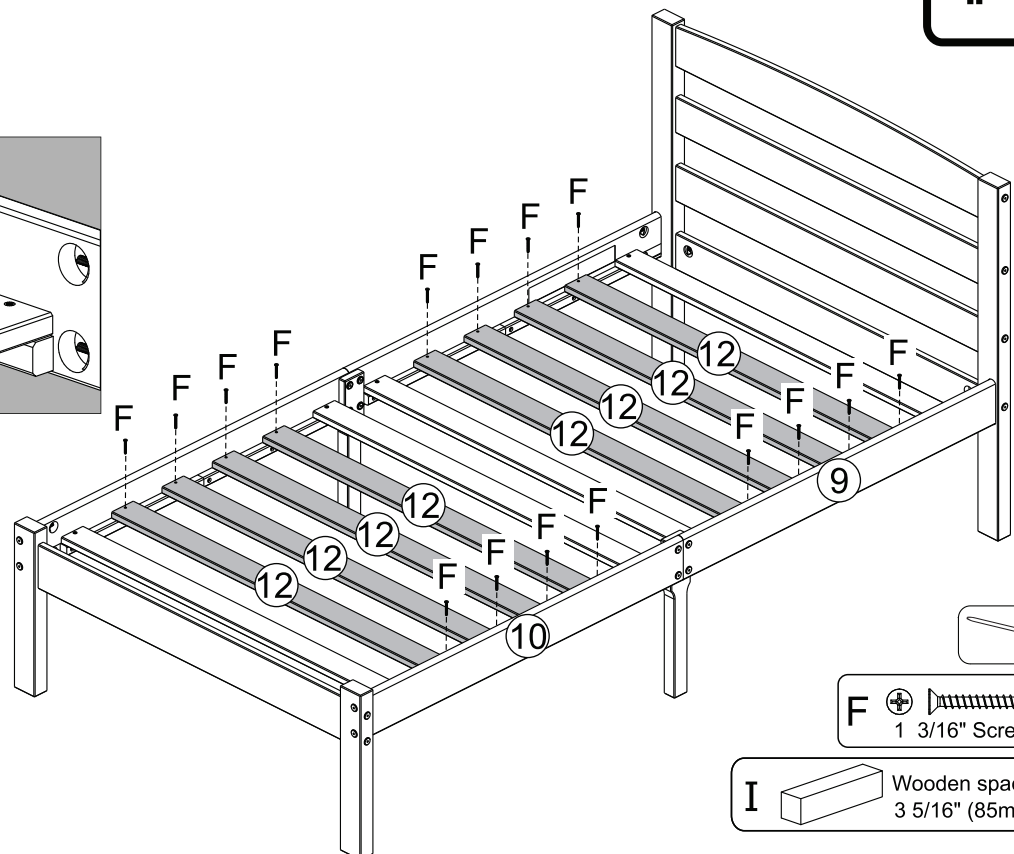
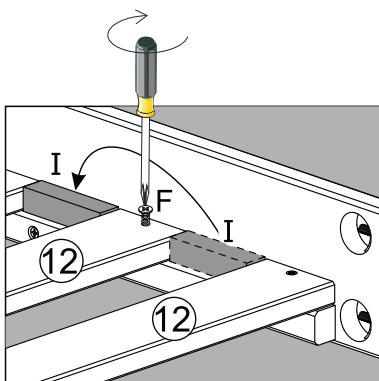
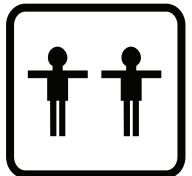


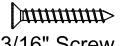
F  Qty 04
1 3/16" Screw


Step 13

Bed Slats

Attach the other 8 slats from Part 12 with 16 screws (F), using the Phillips screwdriver.



F  Qty 16
1 3/16" Screw

I  Qty 02
Wooden spacer
3 5/16" (85mm)



AFTER ATTACHING THE FIRST SLAT, USE WOOD SPACER (I) TO HELP DEFINE THE SPACE BETWEEN EACH SLAT. USE 1 SCREW (F) ON EACH SIDE OF THE RAILS TO ATTACH TO BED.

CARE AND MAINTENANCE:

MAINTENANCE:

- Our furniture is designed to be low maintenance, however misuse, irregular use, or improper assembly can result in product malfunction. Regularly check the stability. If pieces feel loose or wobbly tighten all screws immediately and/or retie strings of tent cover.
- To store, review Assembly Instructions and reverse the steps to disassemble.
- Use only provided hardware to assemble and maintain assembly.

CARE:

- To clean use a soft, lint free rag similar to a cloth diaper and wipe away dust regularly. If necessary dampen cloth slightly with warm water and gently rub away spots. Dry thoroughly.
 - Do not use a bleach solution.
 - Do not submerge or allow to lie in standing water.
 - Do not use a sponge or harsh abrasive.
 - Do not use all purpose cleaners or harsh detergents.
 - Do not use Pine Oil cleaners or abrasive household cleaners.
 - Do not use heat or hot water.

For customer service cases involving hardware please provide the part number.

California 93120 compliant for formaldehyde Phase 2 TPC-AQCARB-03

Return Policy:

- For products purchased through our retail partners please contact them for resolution prior to contacting P'kolino.
- At P'kolino it is our commitment to improve play at home with products that are playfully-stylish and functionally-smart. That means, we want you and the child(ren) to love the way our products look and work. If within 10 days of receipt or your product you are not satisfied you may return it for a refund of the merchandise value.
- Our products and packaging have been designed to withstand standard delivery methods, however, please inspect your product upon receipt for damage to the packaging as products damaged during shipping are subject to exchange or refund. If product has been visibly damaged it is recommended that you refuse the delivery by the carrier. Notify us of the shipment rejection and upon receipt of the rejected shipment we will send you a replacement at no charge.
- To return your product, contact the retailer you purchased your product from. For products with visible wear or that are not properly repackaged will incur a restocking fee of 10%. Please follow assembly, use and care instructions carefully as we will not accept returns on products damaged due to improper assembly, altered or modified products, or on items damaged from normal, excessive or unintended use. Return shipping expenses, unless otherwise specifically stated by P'kolino, will be the customers expense.
- If you have questions regarding our policy please contact us at customercare@pkolino.com or 888-403-8992.

Warranty:

- P'kolino products are guaranteed to be free from defects in material and workmanship under normal and intended use for a period of 30 days from the date of your purchase.

Replacement/Credit:

- If our product fails to meet our warranty during the warranty period, we will, at our option, replace the product or provide you with a replacement of comparable value.

What Our Limited Warranty Does Not Cover:

- We offer this limited warranty only when the product is used by the original end-user customer. We offer no other warranty. Additionally, while our warranty is excellent, there are other limits to it. We offer NO WARRANTY in cases of damage in transit, inadequate care, abuse, abnormal use, misuse, accidents, normal wear and tear, damage due to environmental or natural elements, failure to follow product instructions, immersion in water (except for products specifically identified by us in writing as intended for water use), or improper storage or maintenance of the products.

Limitation on Damages:

- IN NO EVENT SHALL P'KOLINO,LLC BE LIABLE FOR INCIDENTAL, COMPENSATORY, PUNITIVE, CONSEQUENTIAL, INDIRECT, SPECIAL OR OTHER DAMAGES. OUR AGGREGATE LIABILITY WITH RESPECT TO DEFECTIVE PRODUCTS IS LIMITED TO THE MONIES PAID TO US FOR THE DEFECTIVE GOOD.

Some states and countries do not allow the exclusion or limitation of incidental, consequential or other damages, so the above limitation or exclusion may not apply to you. This warranty gives you specific legal rights, and you may also have other rights which vary based on state, province or country.

Contact Information

Please feel free to contact us at the address listed below
P'kolino LLC • 7300 NW 35th Avenue • Miami, FL 33147 • USA