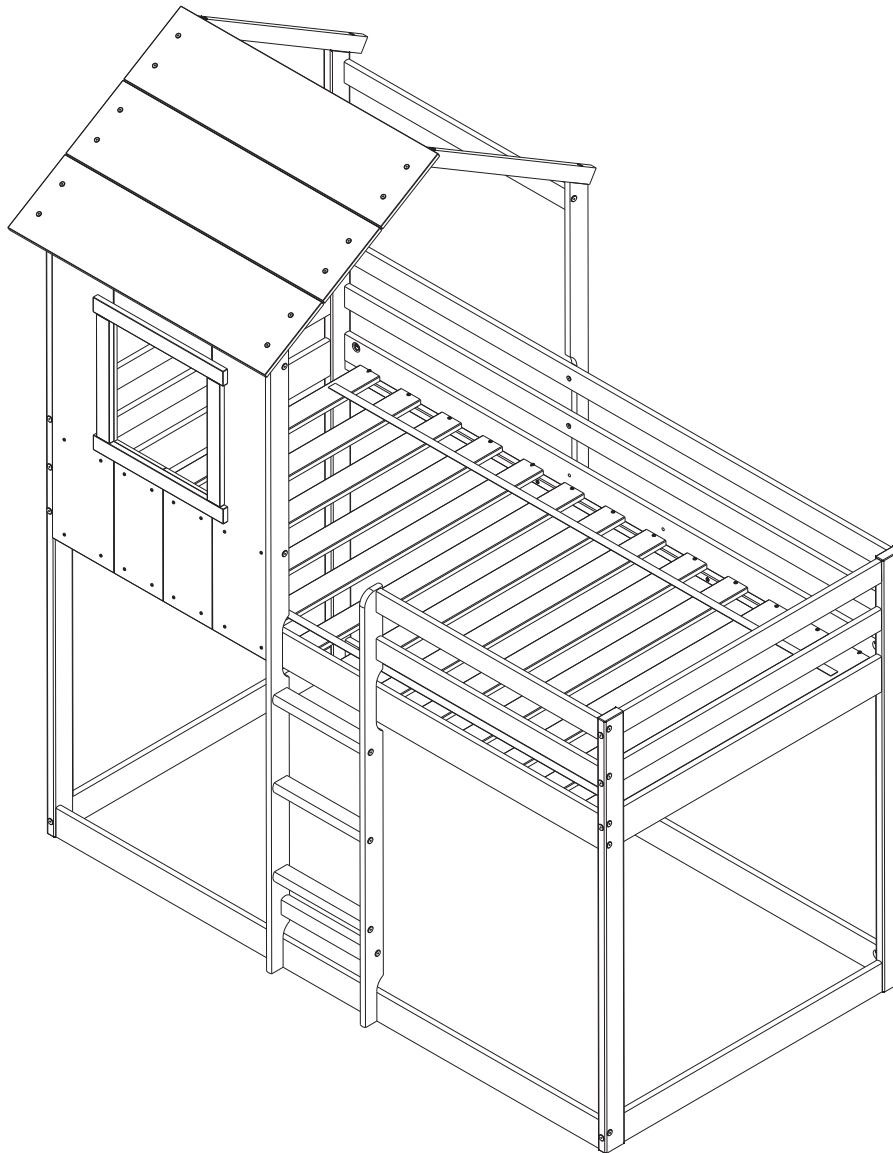




# P'kolino Tree House Bunk Bed



**READ ALL INSTRUCTIONS BEFORE ASSEMBLING BUNK BED.  
KEEP INSTRUCTIONS FOR FUTURE USE.  
THE ASSEMBLY OF THIS PRODUCT REQUIRES TWO ADULTS.**

P'kolino products meet or exceed US, EU, and Canadian safety standards. REG. NO. PA-27620 (CN)  
P'kolino (pee-ko-lee-no) © 2020 P'kolino, LLC. All Rights Reserved. All New Materials: Pine Wood. FSC certified. Non toxic and VOC free finish. Made in Brazil.  
Questions or comments? Please email: [customer@pkolino.com](mailto:customer@pkolino.com) Or write to: P'kolino Studio • 7300 NW 35th Ave • Miami, FL 33147, USA. March 2020



## **WARNING:**

**Failure to follow these warnings and the assembly instructions could result in serious injury or death.**

**Bunk bed is intended for home use, not to be used in public institutions. (hospitals, daycares, etc.)**



## **WARNING:**

**ADULT ASSEMBLY REQUIRED.**

**Product must be assembled by an adult before use.**

After assembly has been completed, all remaining materials and packages are to be recycled according to the regulations in force and kept out of children's reach. Components left after the assembly are not intended for play.



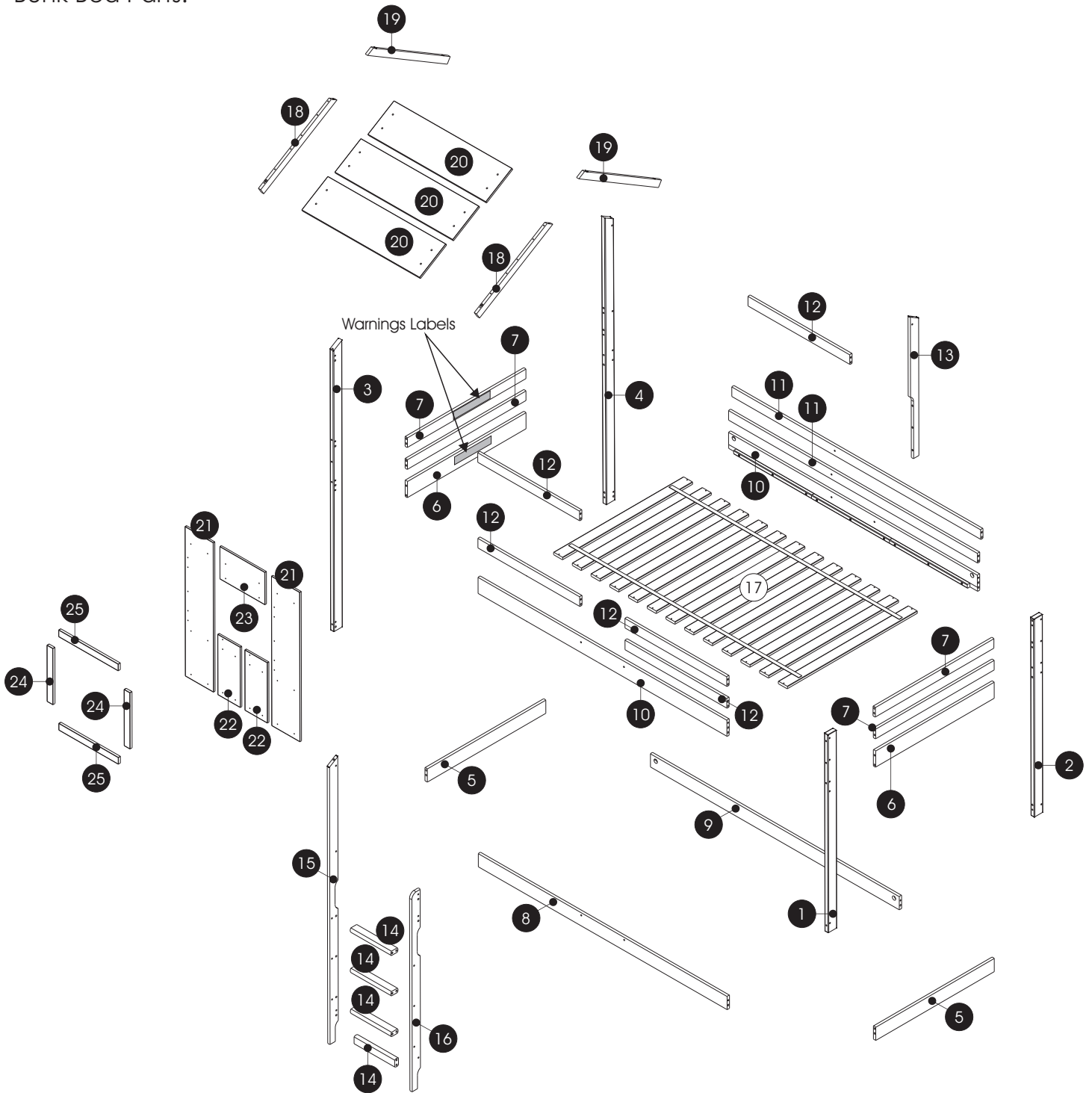
## **WARNING:**

**To help prevent serious or fatal injuries from entrapment or falls:**

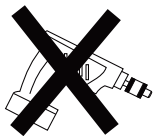
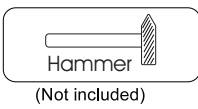
- **Never allow a child under 6 years on upper bunk**
- **Use only a mattress that is 74 inches long and 37.5 - 38.5 inches wide on upper bunk**
- **Ensure thickness of mattress and foundation combined does not exceed 8 inches and that the mattress surface is at least 5 inches below upper edge of guardrails.**
- **Use guardrails on both sides of the upper bunk.**
- **Prohibit horseplay on or under beds.**
- **Prohibit more than one person on upper bunk.**
- **Use ladder for entering or leaving upper bunk.**
- **If the bunk bed will be placed next to a wall, the guardrail that runs the full length of the bed should be placed against the wall to prevent entrapment between the bed and the wall. (This applies only to bunk beds without two full-length guardrails.)**

# This Box Contains:

Bunk Bed Parts:

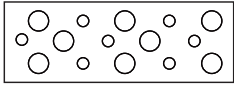


## Tools required

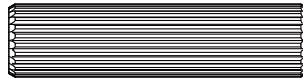


**You will need a Phillips head screw driver and a hammer**

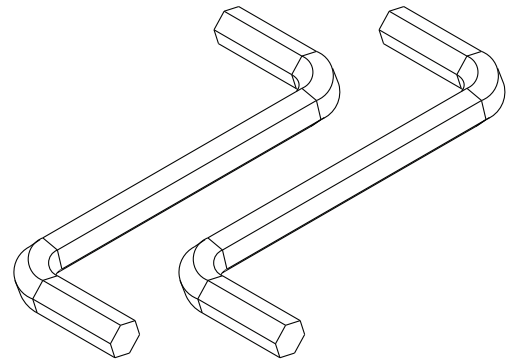
Hardware:



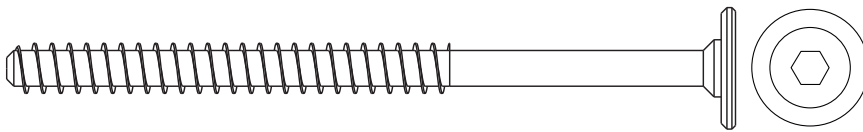
4 adhesive felt **(A)**



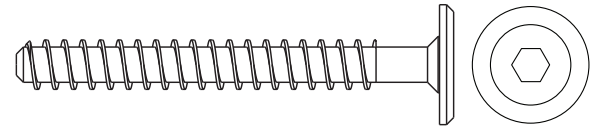
46 wooden dowels 10 x 40 **(B)**



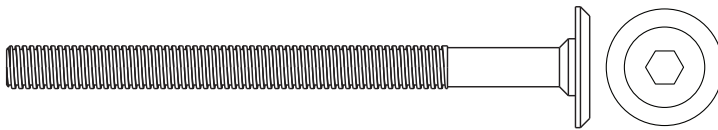
2 allen wrench **(C)**



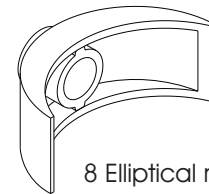
16 bolts 7,0 x 100 **(D)**



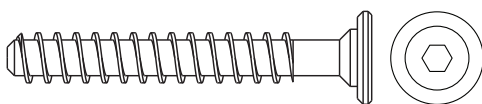
26 bolts 7,0 x 60 **(E)**



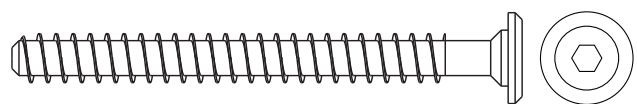
8 bolts 1/4 x 80 **(F)**



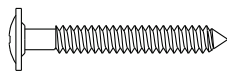
8 Elliptical nut **(G)**



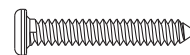
19 bolts 7,0 x 50 **(H)**



6 bolts 7,0 x 70 **(I)**



26 bed slat screws 4,0 x 30 **(J)**



36 wall screws 4,5 x 25 **(K)**

**FOR MISSING PARTS OR HARDWARE:**

DO NOT CONTACT THE STORE WHERE YOU MADE YOUR PURCHASE.

Please contact the manufacturer directly at [customercare@pkolino.com](mailto:customercare@pkolino.com) or 888-403-8992.

For customer service cases involving hardware please provide the part number.

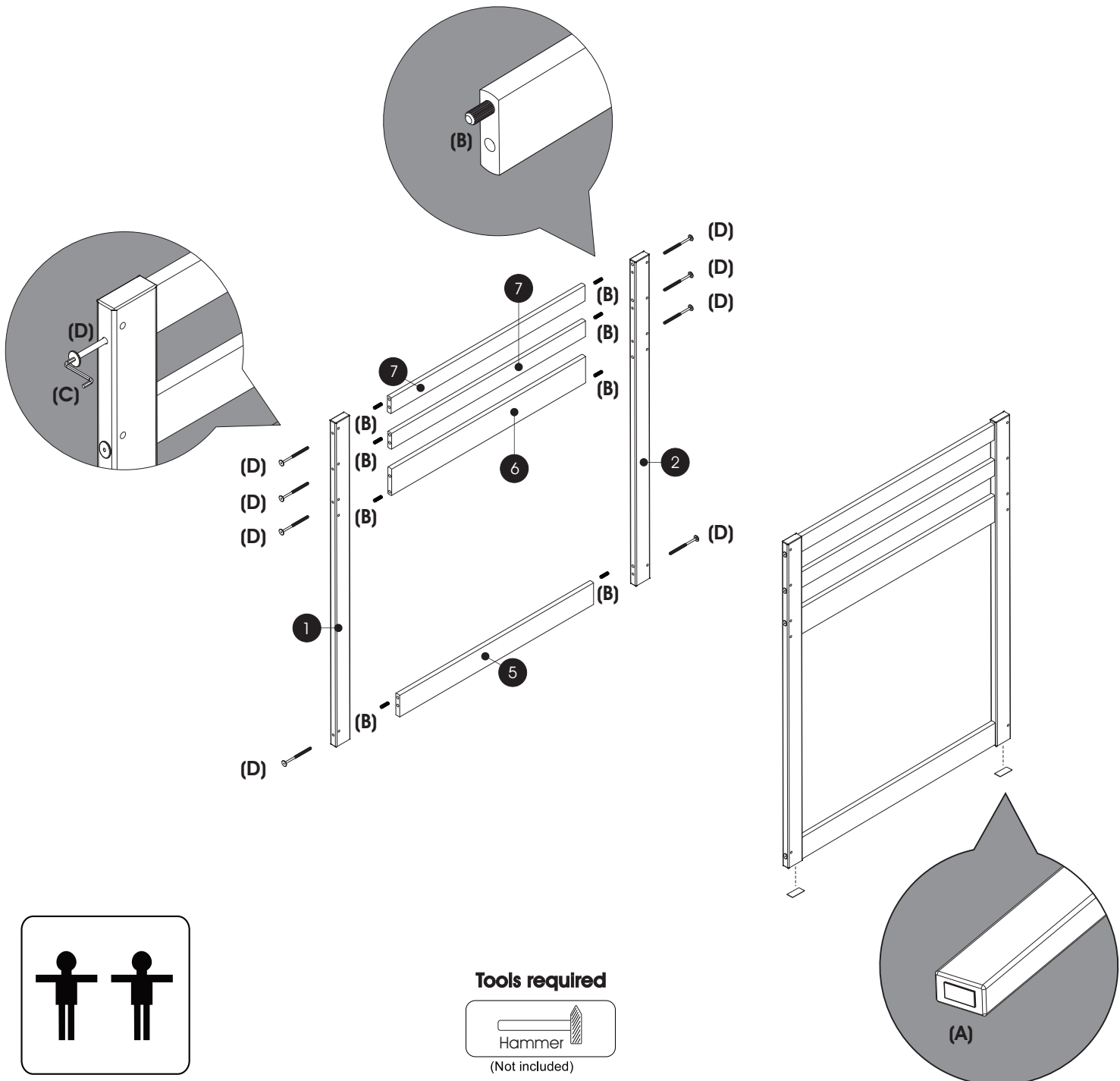
# Assembly Instructions

THE USE OF POWER TOOLS IS NOT RECOMMENDED BECAUSE THEY CAN DAMAGE HARDWARE AND/OR SPLIT THE WOOD.

## Step 1

### Footboard

- 1) Insert 8 wooden dowels (B) into hole shown in diagram.
- 2) Attach the parts 5, 6 and 7 with 8 bolts (D) on the parts 1 and 2 using 1 Allen wrench (C).
- 3) Insert 2 adhesive felts (A) at the bottom of the feet.



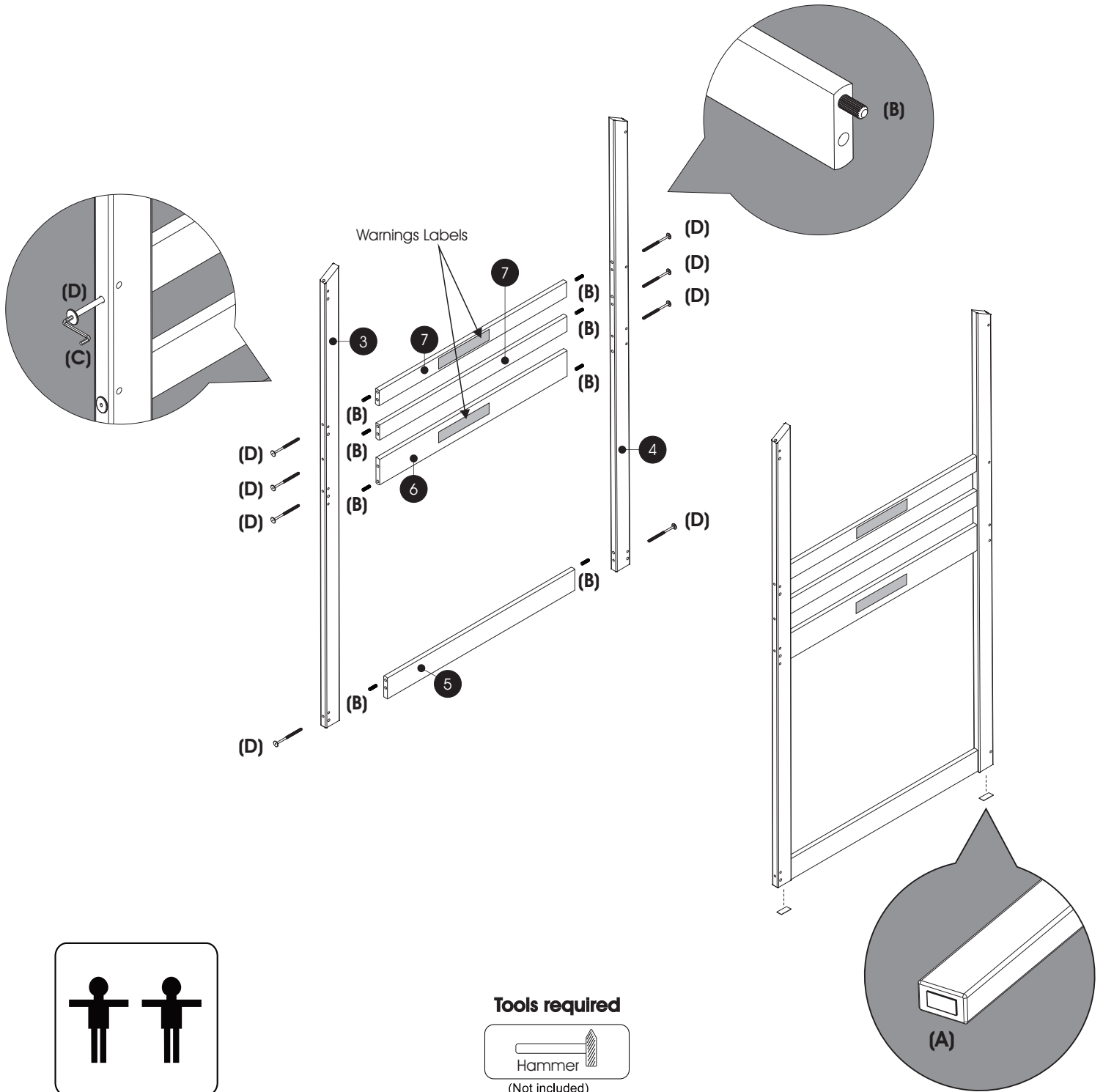
# Assembly Instructions

THE USE OF POWER TOOLS IS NOT RECOMMENDED BECAUSE THEY CAN DAMAGE HARDWARE AND/OR SPLIT THE WOOD.

## Step 2

### Headboard

- 1) Insert 8 wooden dowels (B) into hole shown in diagram.
- 2) Attach the parts 5, 6 and 7 with 8 bolts (D) on the parts 3 and 4 using 1 Allen wrench (C).
- 3) Insert 2 adhesive felts (A) at the bottom of the feet.

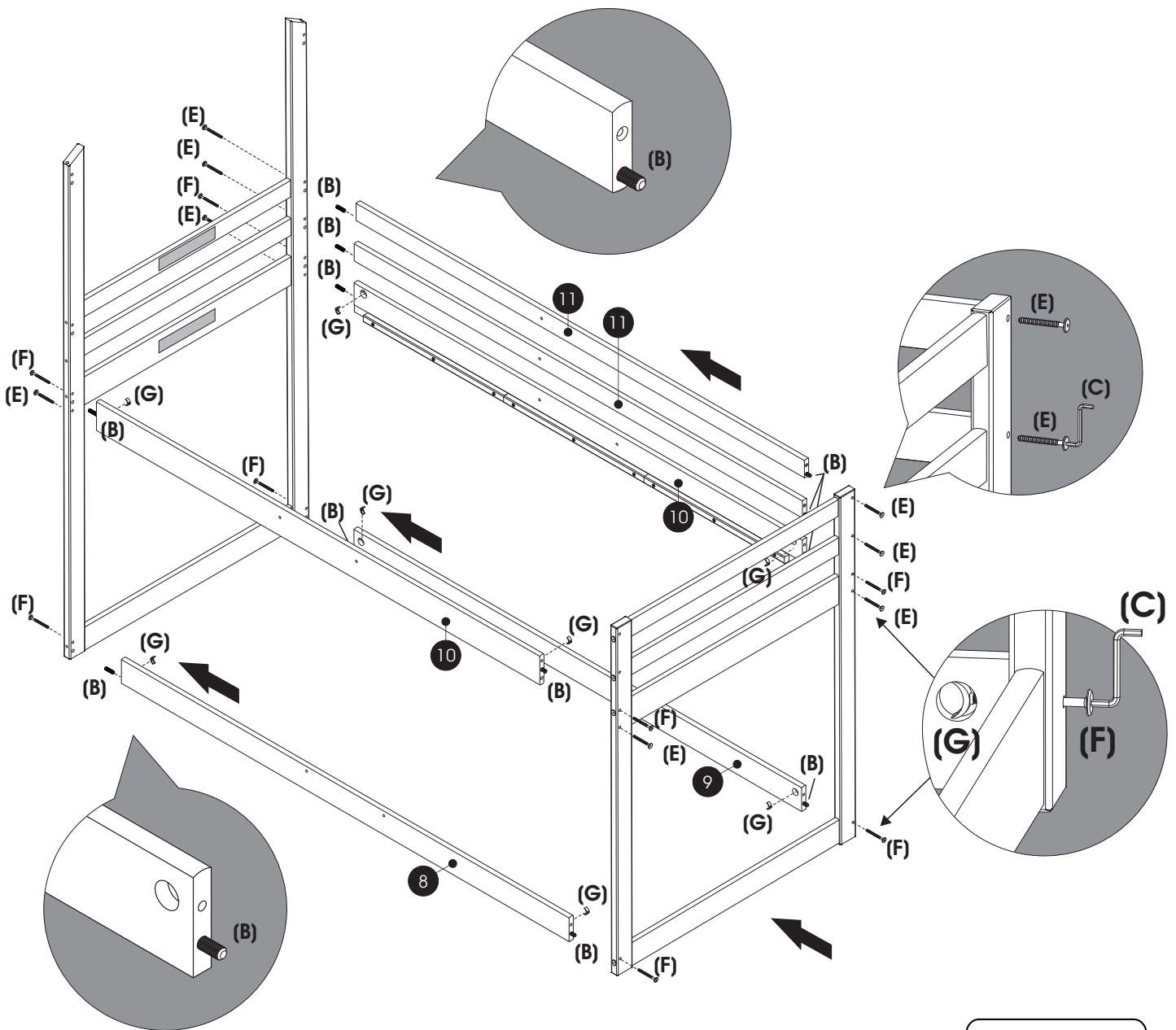


# Assembly Instructions

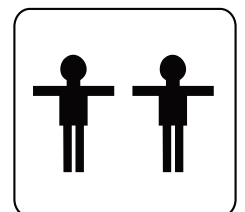
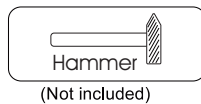
## Step 3

### Side rails and guardrails back

- 1) Insert 12 wooden dowels (B) into hole shown in diagram.
- 2) Attach the parts 8 and 9 with 4 bolts (F) and (G) on the Footboard and Headboard using 1 Allen wrench (C).
- 3) Attach the parts 10 with 4 bolts (F) and (G); 4 bolts (E) on the Footboard and Headboard using 1 Allen wrench (C).
- 4) Attach the parts 11 with 4 bolts (E) on the Footboard and Headboard using 1 Allen wrench (C).



#### Tools required

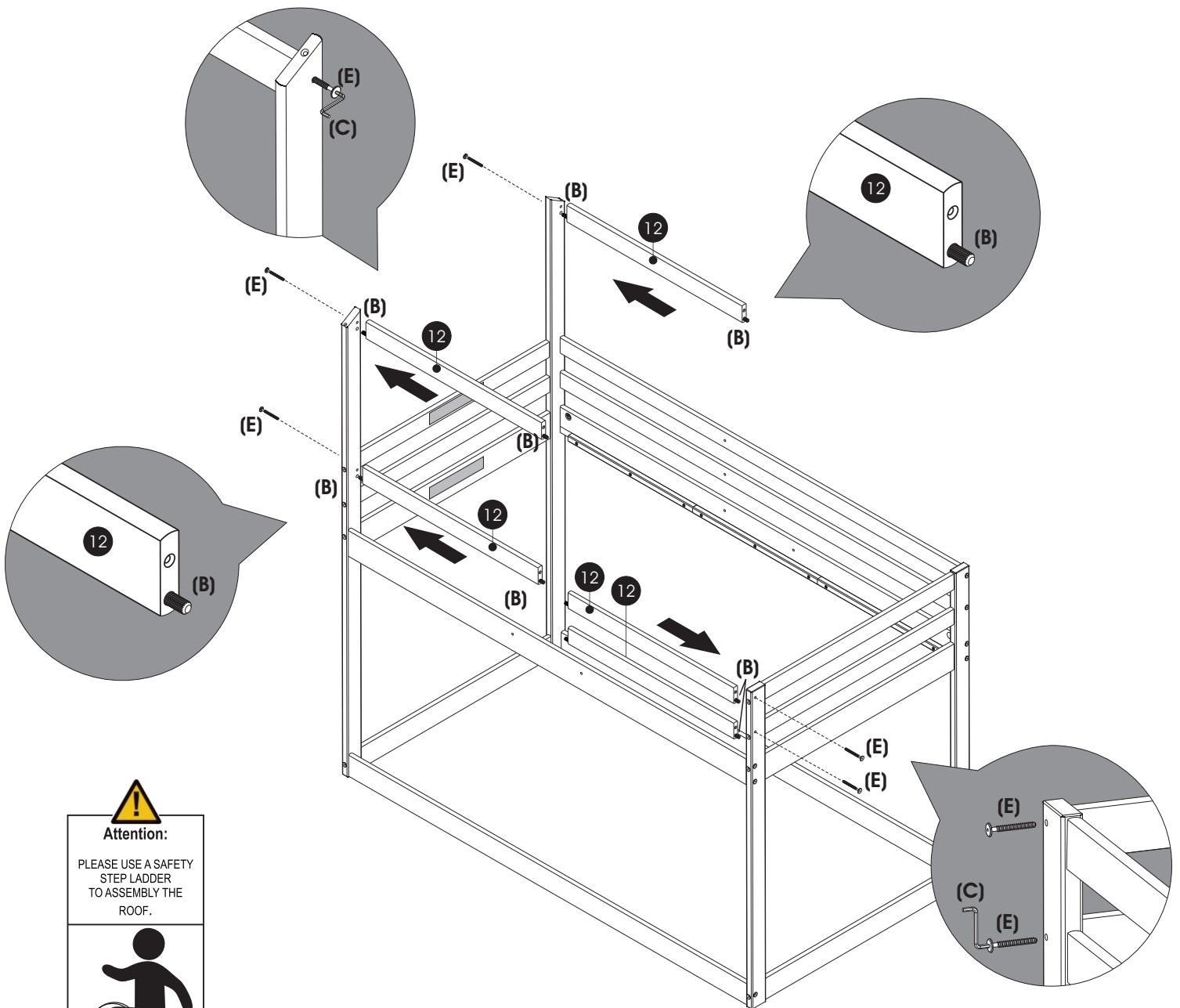


# Assembly Instructions

## Step 4

### Guardrails front and supports roof

- 1) Insert 10 wooden dowels (B) into hole shown in diagram.
- 2) Attach the parts 12 with 2 bolts (E) on the Footboard using 1 Allen wrench (C).
- 3) Attach the parts 12 with 3 bolts (E) on the Headboard using 1 Allen wrench (C).



#### Attention:

PLEASE USE A SAFETY  
STEP LADDER  
TO ASSEMBLY THE  
ROOF.



Not included

#### Tools required



Hammer

(Not included)



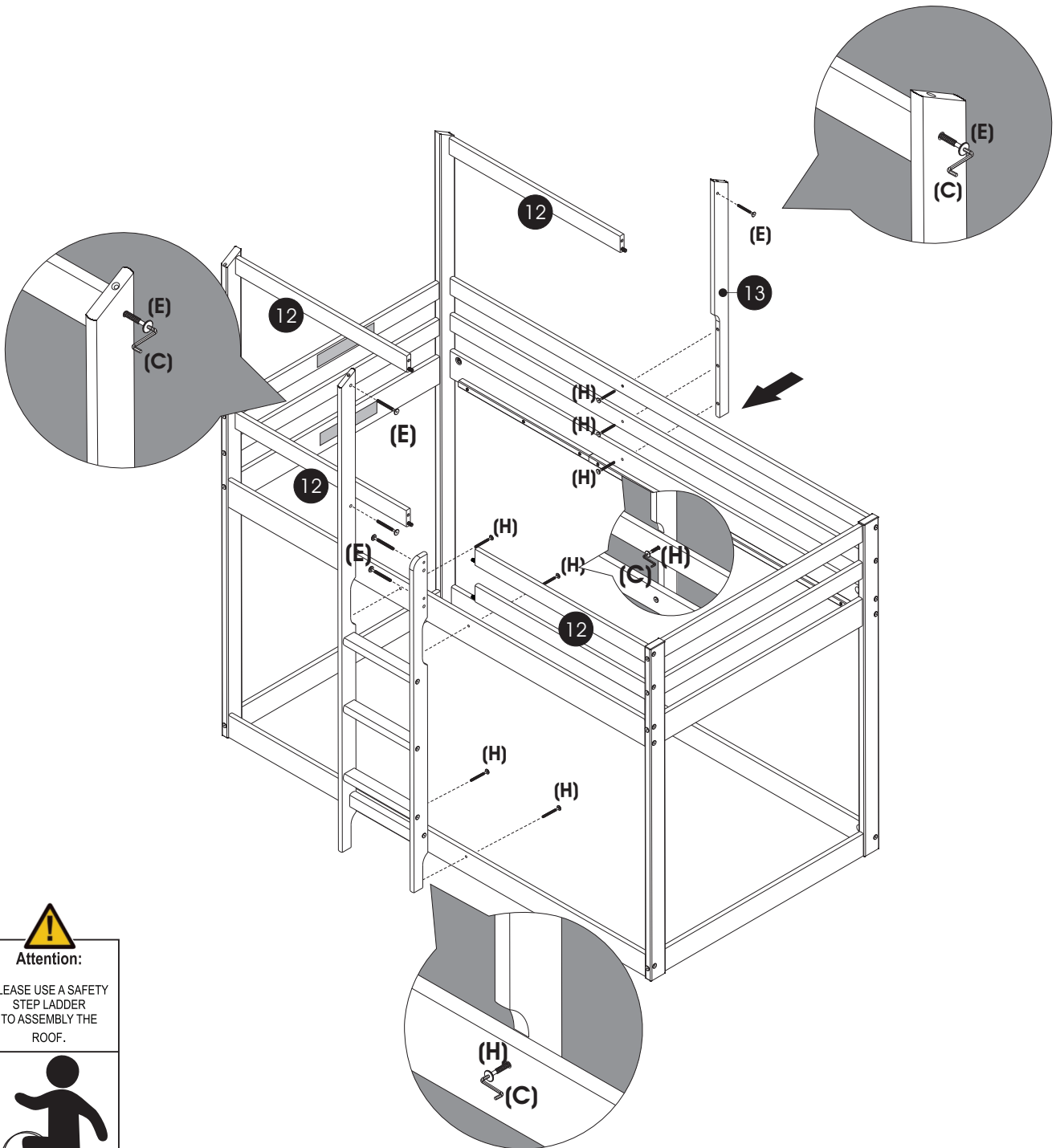


# Assembly Instructions

## Step 6

### Roof Support and Ladder

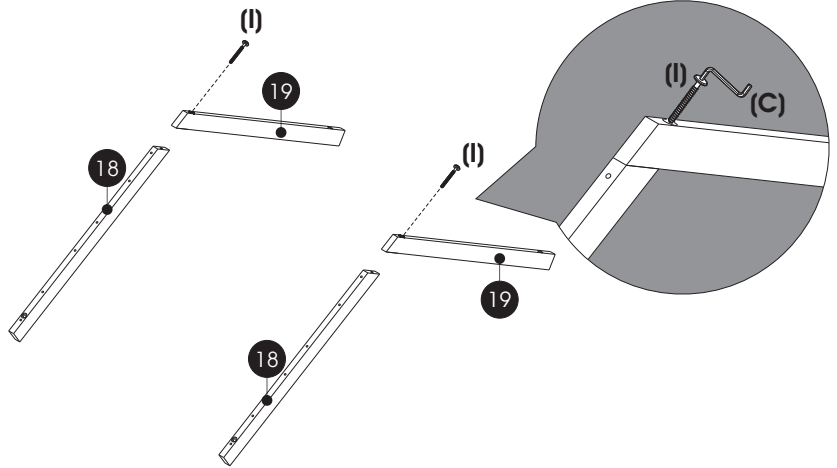
- 3) Attach the part 13 with 1 bolt (E) on the part 12 and 3 bolts (H) using 1 Allen wrench (C).
- 3) Attach the Ladder with 4 bolts (E) on the part 12 and 4 bolts (H) using 1 Allen wrench (C).



# Assembly Instructions

## Step 7

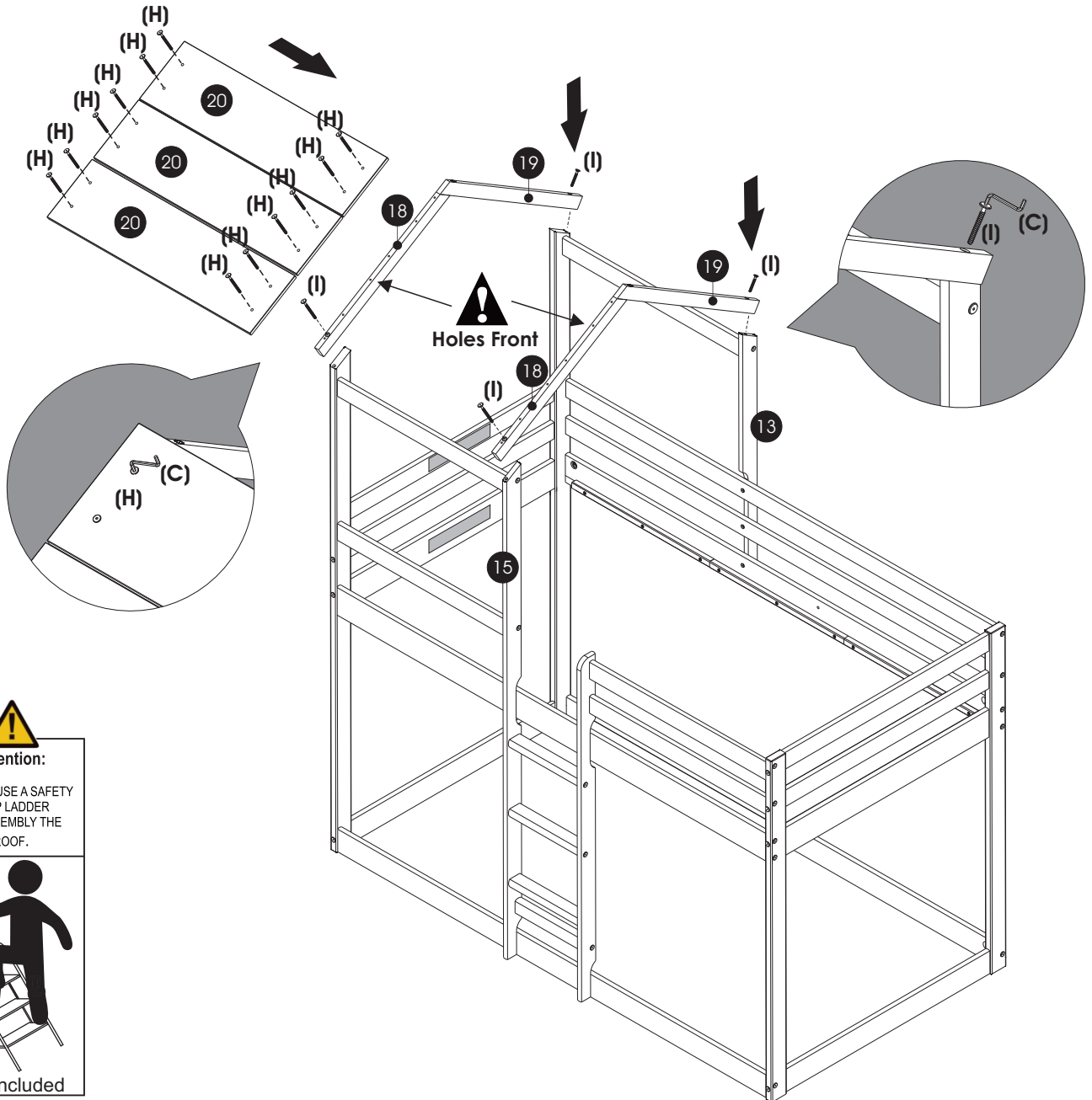
1) Attach the parts **19** with 2 bolts **(I)** on the part **18** using 1 Allen wrench **(C)**.



## Step 8

### Roof

- 1) Attach the parts **19** and **18** ( **Step 7** ) with 2 bolts **(I)** on the **Headboard** using 1 Allen wrench **(C)**.
- 2) Attach the parts **19** and **18** with 2 bolts **(I)** on the parts **13** and **15** using 1 Allen wrench **(C)**.
- 3) Attach the parts **20** with 12 bolts **(H)** on the parts **18** using 1 Allen wrench **(C)**.



### Attention:

PLEASE USE A SAFETY  
STEP LADDER  
TO ASSEMBLY THE  
ROOF.



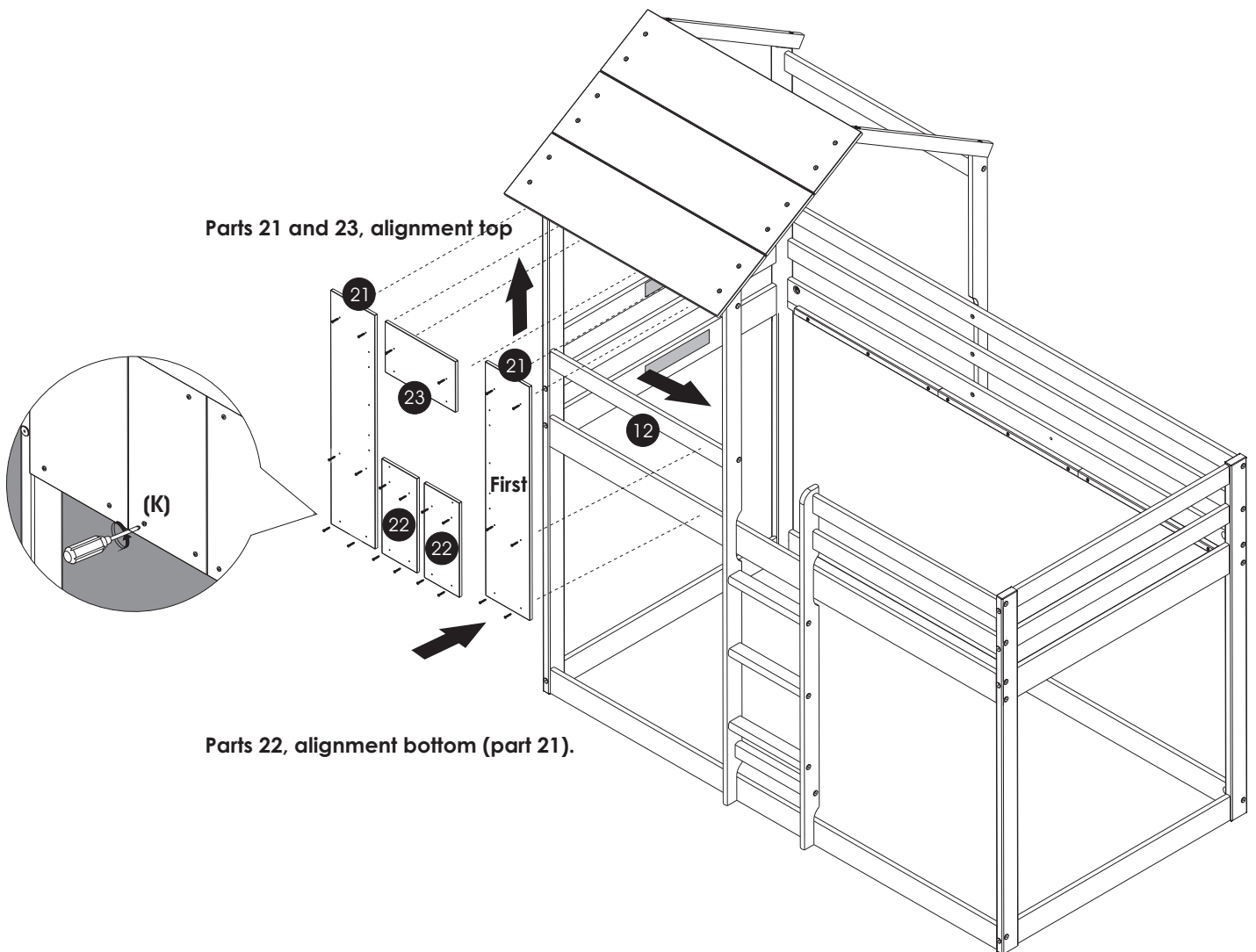
Not included

# Assembly Instructions

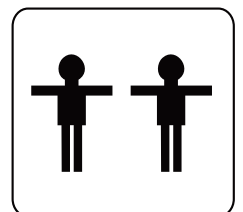
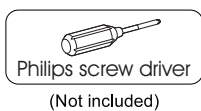
## Step 9

### Wall

1) Attach the parts **21**, **22** and **23** with 22 bolts **(K)** on the part **12** using 1 Philips screw driver.



### Tool required



# Assembly Instructions

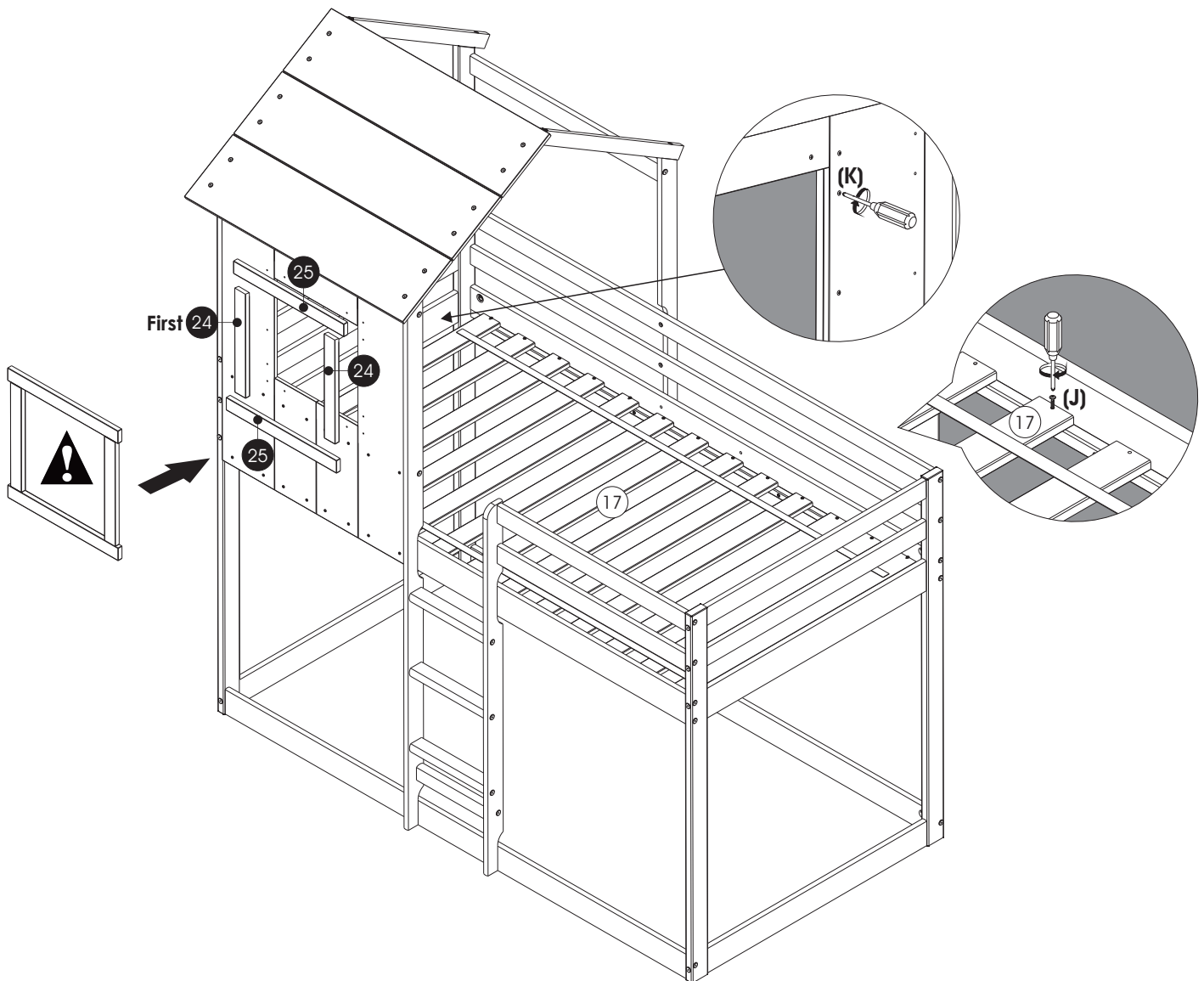
## Step 10

### Frame

- 1) Attach the parts **24** first with 6 bolts **(K)** on the **Wall** using 1 Philips screw driver.
- 2) Attach the and parts **25** with 8 bolts **(K)** on the **Wall** using 1 Philips screw driver.

### Bed Slats

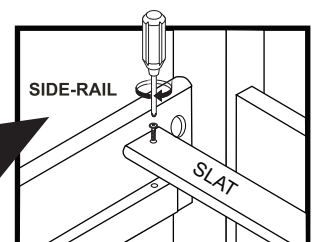
- 3) Attach **bed slats** to completed piece from Step 10 using 26 screws **(J)**.



``INSTALL SLAT KIT WITH SPACER TAPE ON TOP (FACING UP)``



The first slats must be fixed at 3" from each headboard end.



# CARE AND MAINTENANCE:

## **MAINTENANCE:**

- Our furniture is designed to be low maintenance, however misuse, irregular use, or improper assembly can result in product malfunction. Regularly check the stability. If pieces feel loose or wobbly tighten all screws immediately.
- To store, review Assembly Instructions and reverse the steps to disassemble.
- Use only provided hardware to assemble and maintain assembly.

## **CARE:**

- To clean use a soft, lint free rag similar to a cloth diaper and wipe away dust regularly. If necessary dampen cloth slightly with warm water and gently rub away spots. Dry thoroughly.
  - Do not use a bleach solution.
  - Do not submerge or allow to lie in standing water.
  - Do not use a sponge or harsh abrasive.
  - Do not use all purpose cleaners or harsh detergents.
  - Do not use Pine Oil cleaners or abrasive household cleaners.
  - Do not use heat or hot water.

## **ABOUT WOOD AND FINISH:**

This product has been carefully crafted of MDF, solid pine wood and/or pine veneers. These materials derive from plantations, a renewable and well managed forest, therefore, not endangering the environment. The highest quality standards have been implemented to assure a sturdy and reliable product. Due to the natural variances in the graining of wood, you may notice subtle differences in the shading and tone of the color stain, warp, holes, wood knots and also small cracks. This is not a defect. But rather a result of the natural beauty of the wood itself.

**PLEASE REGISTER THIS PRODUCT AT: [WWW.PKOLINO.COM/REGISTER](http://WWW.PKOLINO.COM/REGISTER)**

**California 93120 compliant for formaldehyde Phase 2 TPC-AQCARB-03**

## **Return Policy:**

- For products purchased through our retail partners please contact them for resolution prior to contacting P'kolino.
- At P'kolino it is our commitment to improve play at home with products that are playfully-stylish and functionally-smart. That means, we want you and the child(ren) to love the way our products look and work. If within 10 days of receipt of your product you are not satisfied you may return it for a refund of the merchandise value.
- Our products and packaging have been designed to withstand standard delivery methods, however, please inspect your product upon receipt for damage to the packaging as products damaged during shipping are subject to exchange or refund. If product has been visibly damaged it is recommended that you refuse the delivery by the carrier. Notify us of the shipment rejection and upon receipt of the rejected shipment we will send you a replacement at no charge.
- To return your product, contact the retailer you purchased your product from. For products with visible wear or that are not properly repackaged will incur a restocking fee of 10%. Please follow assembly, use and care instructions carefully as we will not accept returns on products damaged due to improper assembly, altered or modified products, or on items damaged from normal, excessive or unintended use. Return shipping expenses, unless otherwise specifically stated by P'kolino, will be the customer's expense.
- If you have questions regarding our policy please contact us at [customercare@pkolino.com](mailto:customercare@pkolino.com) or 888-403-8992.

## **Warranty:**

- P'kolino products are guaranteed to be free from defects in material and workmanship under normal and intended use for a period of 30 days from the date of your purchase.

## **Replacement/Credit:**

- If our product fails to meet our warranty during the warranty period, we will, at our option, replace the product or provide you with a replacement of comparable value.

## **What Our Limited Warranty Does Not Cover:**

- We offer this limited warranty only when the product is used by the original end-user customer. We offer no other warranty. Additionally, while our warranty is excellent, there are other limits to it. We offer NO WARRANTY in cases of damage in transit, inadequate care, abuse, abnormal use, misuse, accidents, normal wear and tear, damage due to environmental or natural elements, failure to follow product instructions, immersion in water (except for products specifically identified by us in writing as intended for water use), or improper storage or maintenance of the products.

## **Limitation on Damages:**

- IN NO EVENT SHALL P'KOLINO,LLC BE LIABLE FOR INCIDENTAL, COMPENSATORY, PUNITIVE, CONSEQUENTIAL, INDIRECT, SPECIAL OR OTHER DAMAGES. OUR AGGREGATE LIABILITY WITH RESPECT TO DEFECTIVE PRODUCTS IS LIMITED TO THE MONIES PAID TO US FOR THE DEFECTIVE GOOD.

Some states and countries do not allow the exclusion or limitation of incidental, consequential or other damages, so the above limitation or exclusion may not apply to you. This warranty gives you specific legal rights, and you may also have other rights which vary based on state, province or country.

## **Contact Information**

Please feel free to contact us at the address listed below

P'kolino LLC • 7300 NW 35th Avenue • Miami, FL 33147 • USA