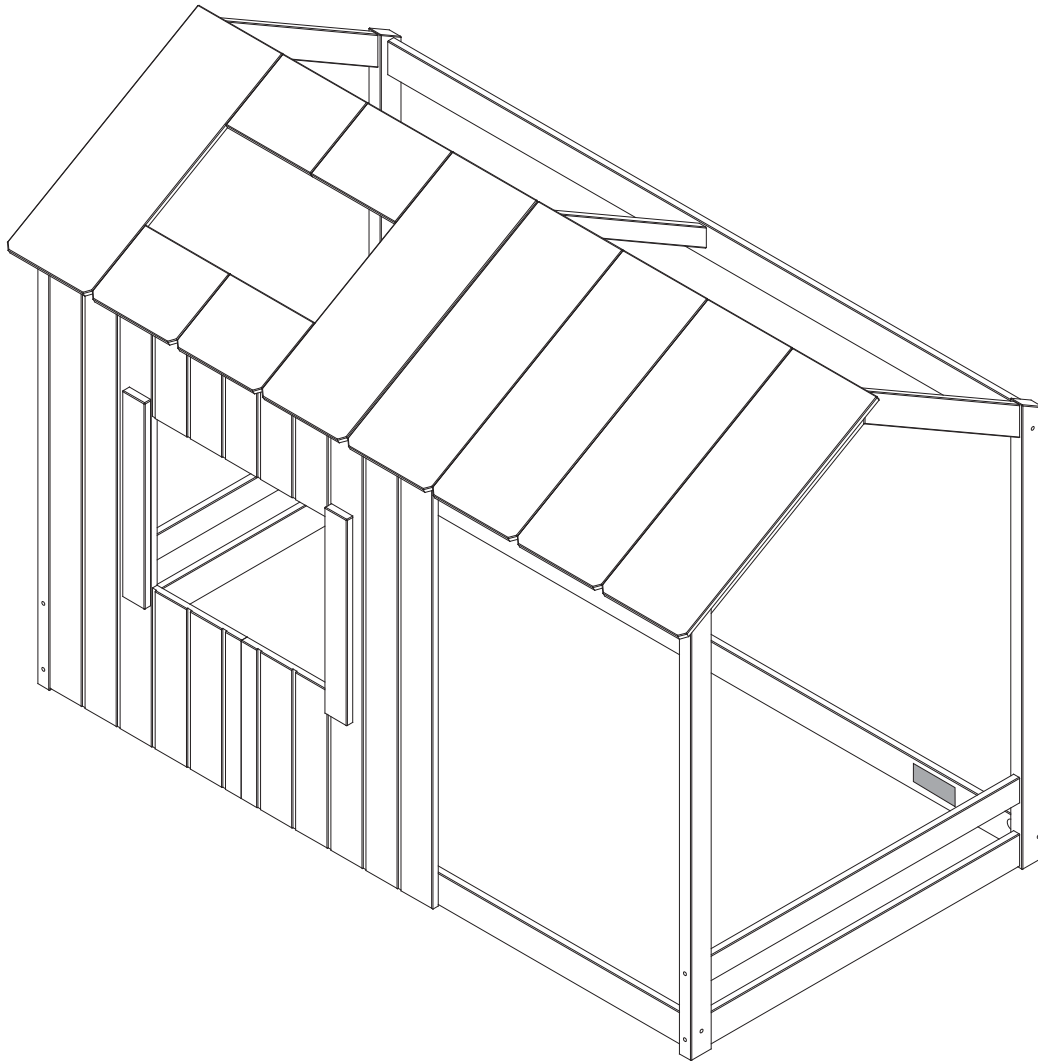




Kid`s House Twin Bed



**READ ALL INSTRUCTIONS BEFORE ASSEMBLING BUNK BED.
KEEP INSTRUCTIONS FOR FUTURE USE.
THE ASSEMBLY OF THIS PRODUCT REQUIRES TWO ADULTS.**

P'kolino products meet or exceed US, EU, and Canadian safety standards. REG. NO. PA-27620 (CN)
P'kolino (pee-ko-lee-no) © 2020 P'kolino, LLC. All Rights Reserved. All New Materials: Pine Wood. FSC certified. Non toxic and VOC free finish. Made in Brazil.
Questions or comments? Please email: customer-care@pkolino.com Or write to: P'kolino Studio • 7300 NW 35th Ave • Miami, FL 33147, USA. July / 2020



WARNING:

Failure to follow these warnings and the assembly instructions could result in serious injury or death.

Twin bed is intended for home use, not to be used in public institutions.
(hospitals, daycares, etc.)



WARNING:

ADULT ASSEMBLY REQUIRED.

Product must be assembled by an adult before use.

After assembly has been completed, all remaining materials and packages are to be recycled according to the regulations in force and kept out of children's reach. Components left after the assembly are not intended for play.

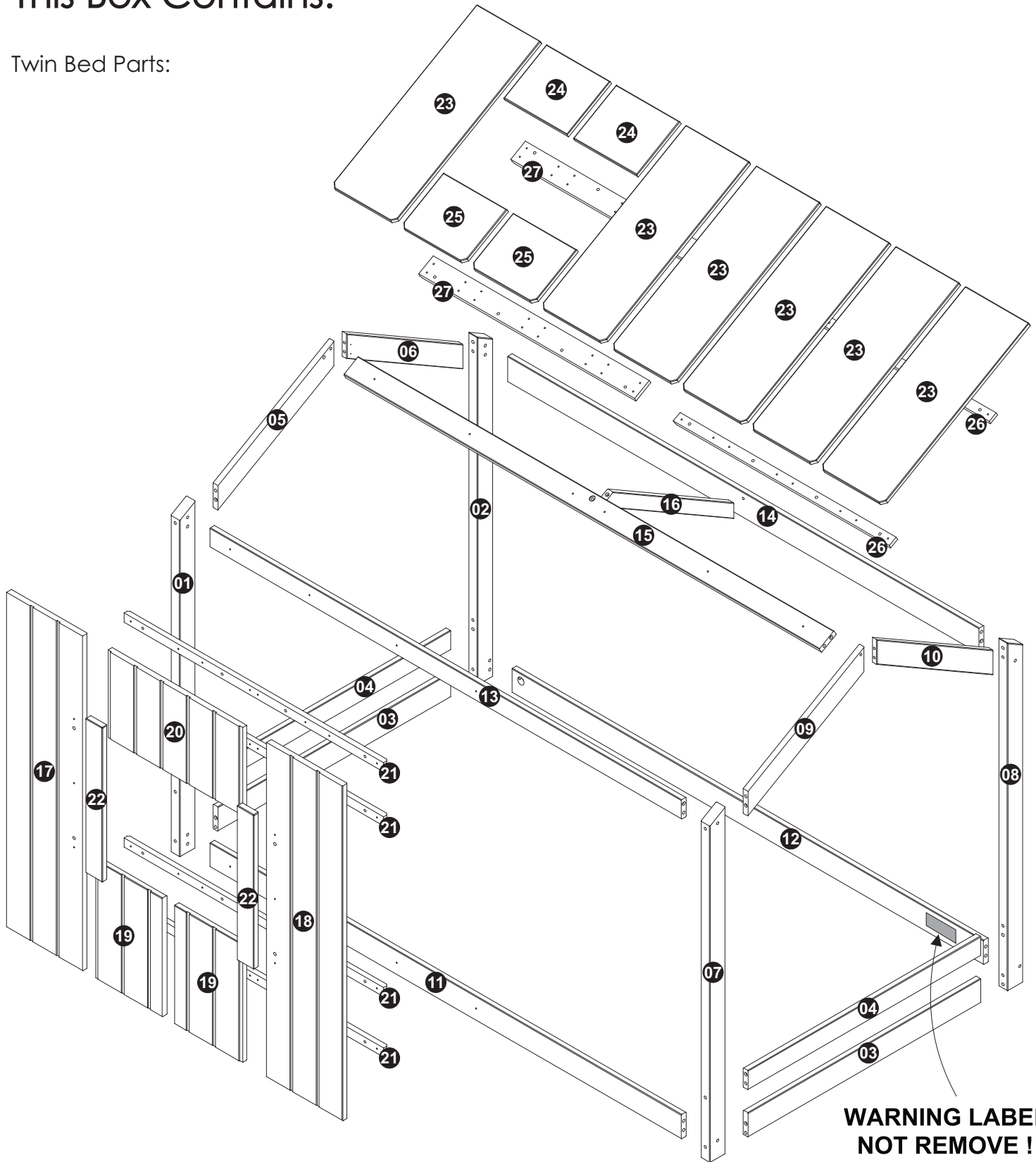


WARNING:

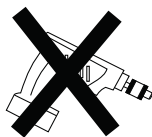
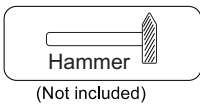
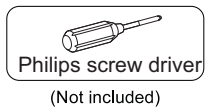
DO NOT CLIMB.
Prohibit horseplay.

This Box Contains:

Twin Bed Parts:

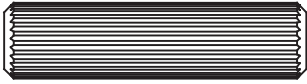


Tools required

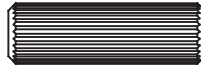


You will need a Phillips head screw driver and a hammer

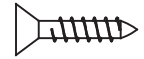
Hardware:



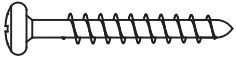
22 wooden dowels 10 x 40 (A)



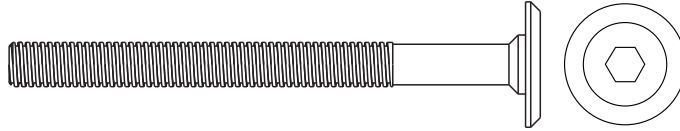
36 wooden dowels 8 x 25 (B)



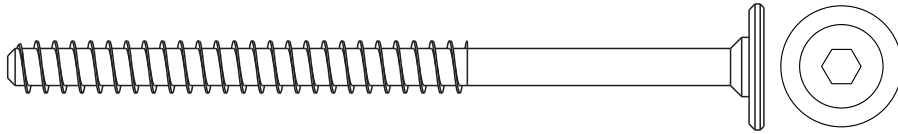
16 screws 3,5 x 16 (C)



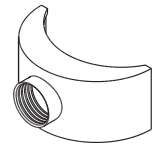
86 screws 4 x 30 (D)



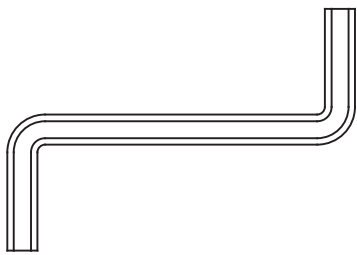
4 bolts 1/4 x 70 (E)



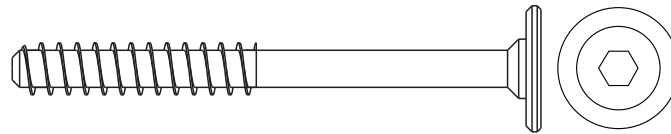
12 bolts 7,0 x 100 (F)



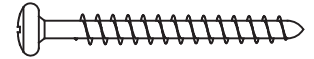
4 Elliptical nut (G)



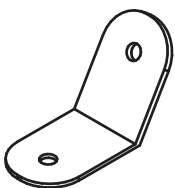
2 allen wrench (H)



4 bolts 7,0 x 70 (I)



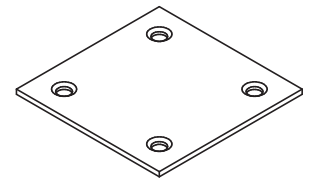
14 screws 4 x 35 (J)



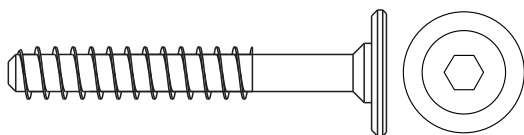
4 plate angle (K)



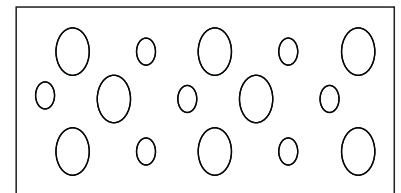
4 wooden dowels 8 x 50 (L)



2 plate (M)



4 bolts 7,0 x 50 (N)



4 adhesive (O)

FOR MISSING PARTS OR HARDWARE:

DO NOT CONTACT THE STORE WHERE YOU MADE YOUR PURCHASE.

Please contact the manufacturer directly at customercare@pkolino.com or 888-403-8992. For customer service cases involving hardware please provide the part number.

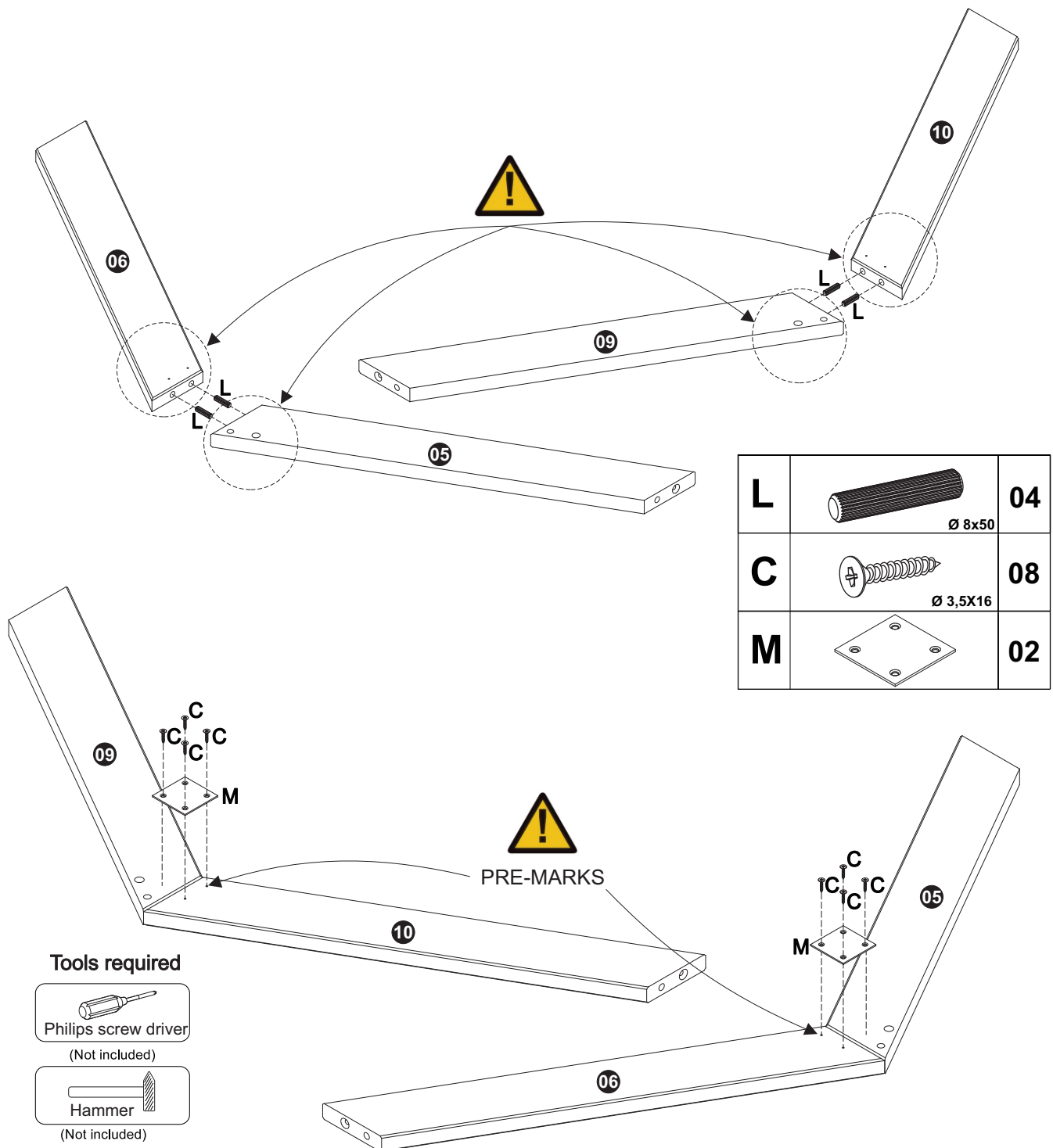
Assembly Instructions

THE USE OF POWER TOOLS IS NOT RECOMMENDED BECAUSE THEY CAN DAMAGE HARDWARE AND/OR SPLIT THE WOOD.

Step 1

Roof Support

- 1) Insert 4 wooden dowels (**L**) into hole shown in diagram.
- 2) Insert metal plate (**M**) moved pré-holes **6** and **10**.
- 3) Attach the parts **5**, **6**, **9** and **10** with 8 bolts (**C**) on the parts **5** and **6**, **9** and **10** using 1 philips screw driver





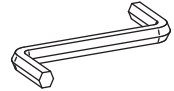
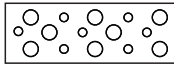
Assembly Instructions

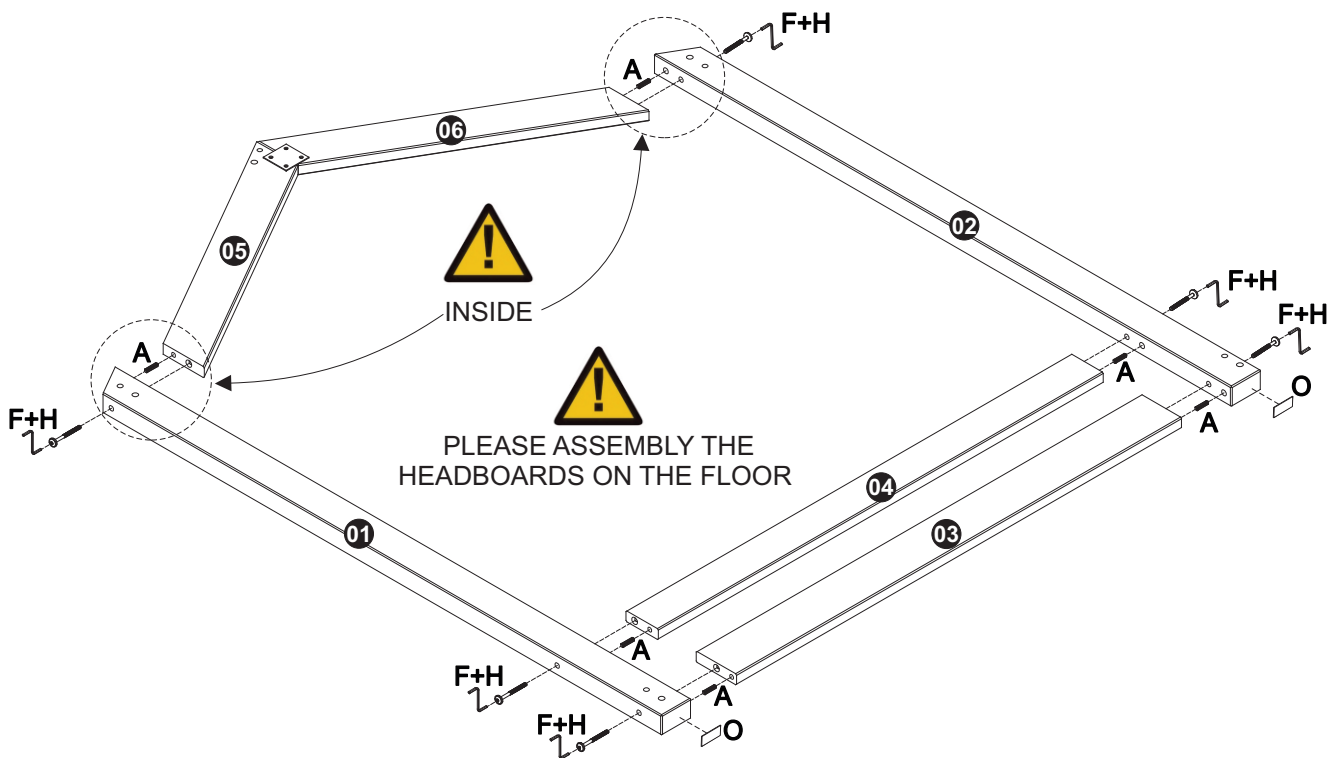
THE USE OF POWER TOOLS IS NOT RECOMMENDED BECAUSE THEY CAN DAMAGE HARDWARE AND/OR SPLIT THE WOOD.

Step 2

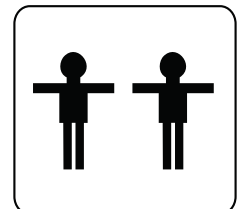
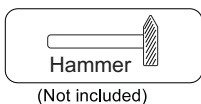
Headboard

- 1) Insert 6 wooden dowels (**A**) into hole shown in diagram.
- 2) Attach the parts **3, 4, 5, 6** with 6 bolts (**F**) on the parts **1** and **2** using 1 Allen wrench (**H**).
- 3) Insert 2 adhesive felts (**O**) at the bottom of the feet.

A	 Ø 10x40	06
F	 Ø 7X100 Head 17	06
H		01
O	 Adhesive	02



Tool required





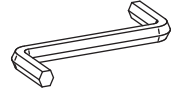
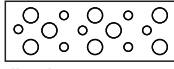
Assembly Instructions

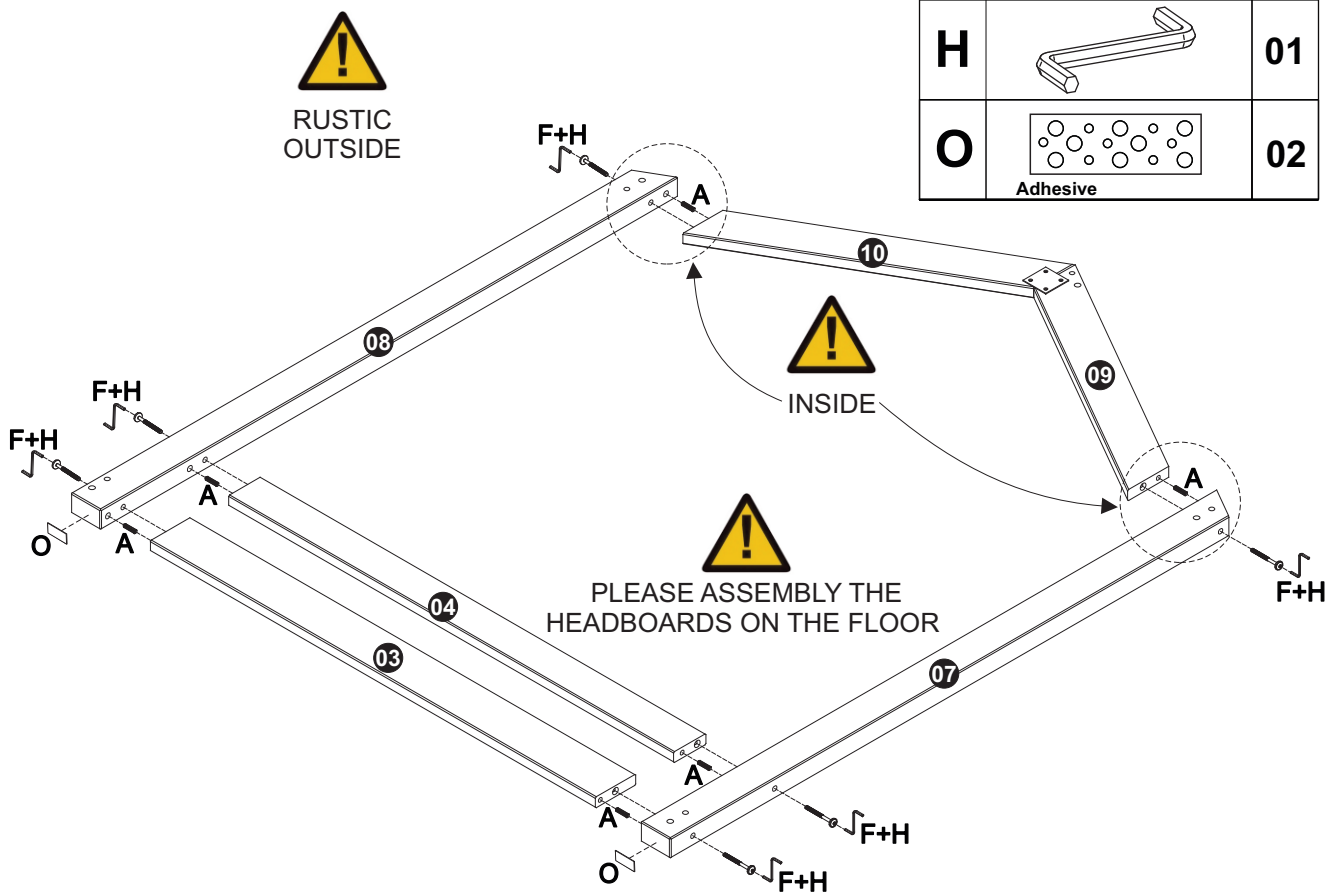
THE USE OF POWER TOOLS IS NOT RECOMMENDED BECAUSE THEY CAN DAMAGE HARDWARE AND/OR SPLIT THE WOOD.

Step 3

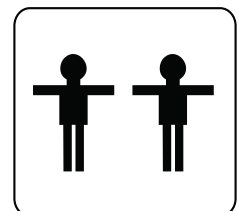
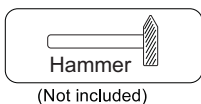
Footboard

- 1) Insert 6 wooden dowels (**A**) into hole shown in diagram.
- 2) Attach the parts **3, 4, 9, 10** with 6 bolts (**F**) on the parts **7** and **8** using 1 Allen wrench (**H**).
- 3) Insert 2 adhesive felts (**O**) at the bottom of the feet.

A	 Ø 10x40	06
F	 Ø 7X100 Head 17	06
H		01
O	 Adhesive	02



Tool required






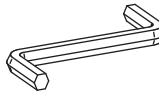


Assembly Instructions

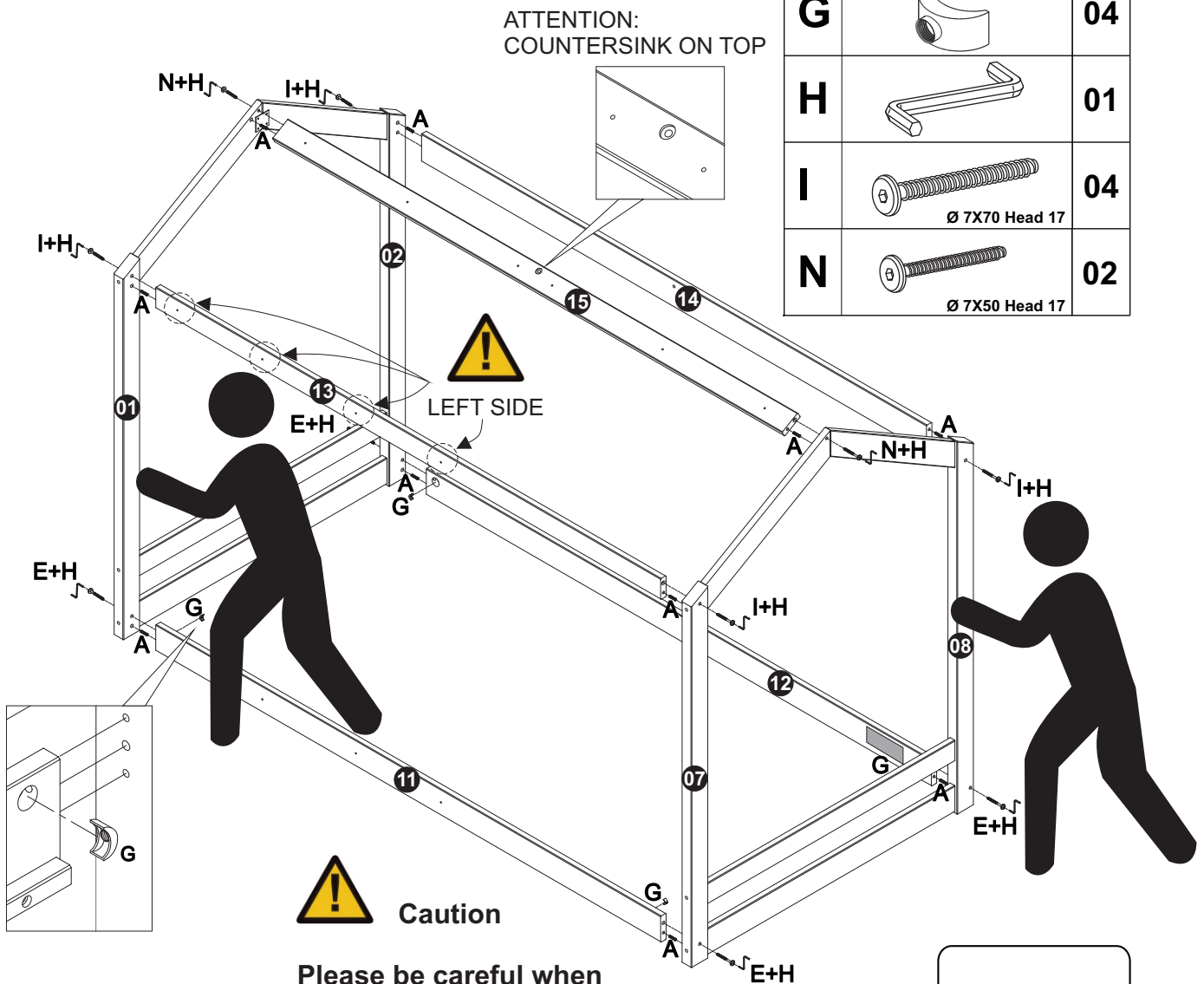
THE USE OF POWER TOOLS IS NOT RECOMMENDED BECAUSE THEY CAN DAMAGE HARDWARE AND/OR SPLIT THE WOOD.

Step 4

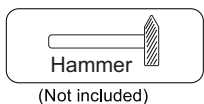
Headboard and Footboard

- 1) Insert 10 wooden dowels (A) into hole shown in diagram.
- 2) Attach the parts 11, 12 with 4 bolts (E) and (G) on the footboard and headboard using 1 Allen wrench (H).
- 3) Attach the parts 13 and 14 with 4 bolts (I) on the footboard and headboard using 1 Allen wrench (H).
- 4) Attach the part 15 with 2 bolts (N) on the footboard and headboard using 1 Allen wrench (H).

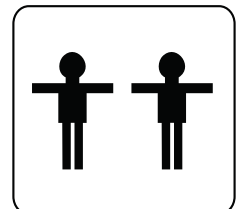
A	 Ø 10x40	10
E	 Ø 1/4X70 Head 17	04
G		04
H		01
I	 Ø 7X70 Head 17	04
N	 Ø 7X50 Head 17	02



Tool required



Please be careful when assembling this product due the parts are extremely heavy. Also, please do not allow kids around when assembling this bed to avoid injuries.



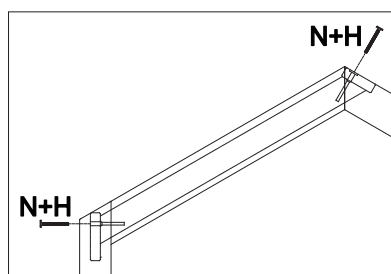
Assembly Instructions

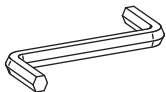

THE USE OF POWER TOOLS IS NOT RECOMMENDED BECAUSE THEY CAN DAMAGE HARDWARE AND/OR SPLIT THE WOOD.

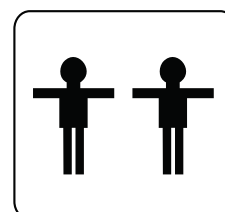
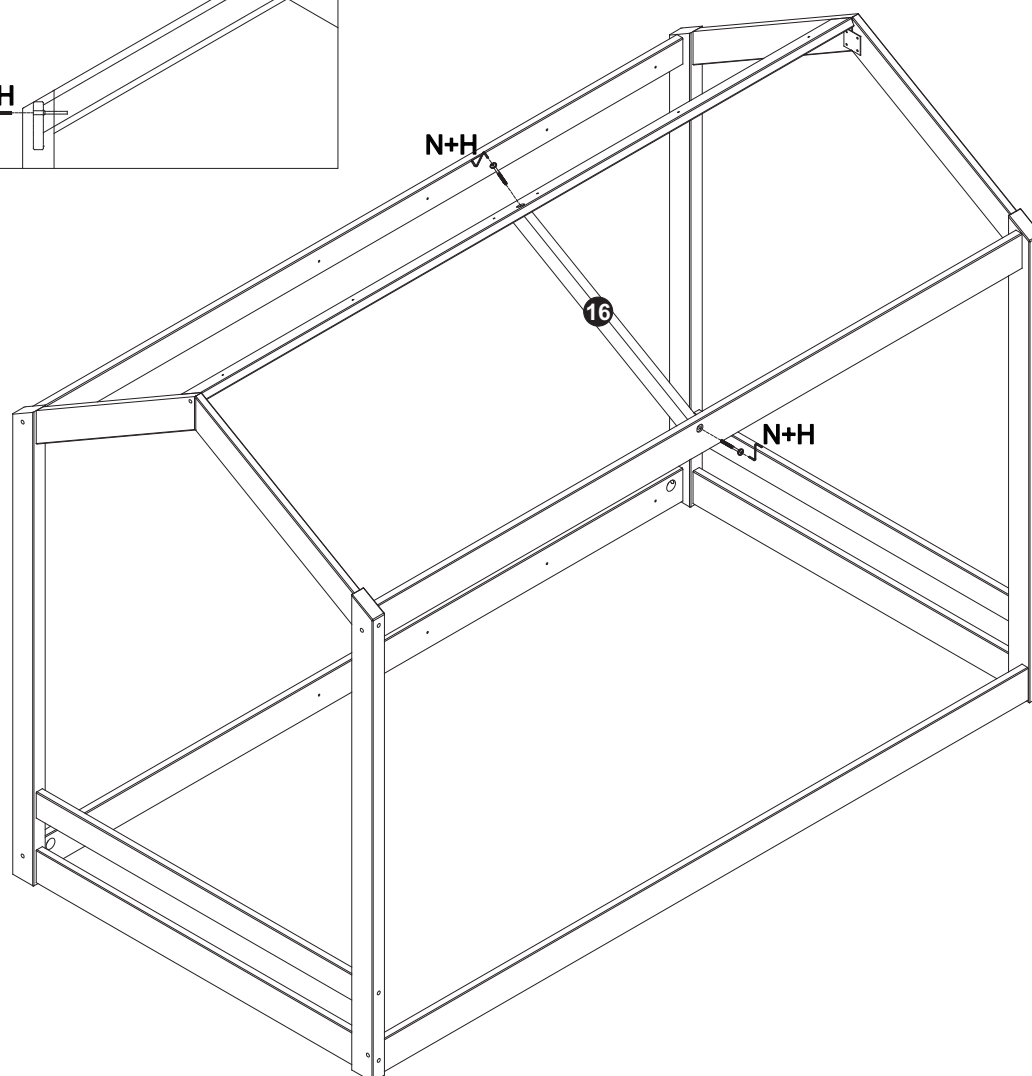
Step 5

Roof Support Center

1) Attach the part **16** with 2 bolts (**N**) on the parts **14** and **15** using 1 Allen wrench (**H**).



H		01
N	 Ø 7X50 Head 17	02



Assembly Instructions

THE USE OF POWER TOOLS IS NOT RECOMMENDED BECAUSE THEY CAN DAMAGE HARDWARE AND/OR SPLIT THE WOOD.



Step 6

Wall

- 1) Insert 16 wooden dowels (**B**) into hole shown in diagram.
- 2) Attach the parts **17**, **18**, **19**, and **20** with 32 bolts (**D**) on the parts **21** using philips screw driver.

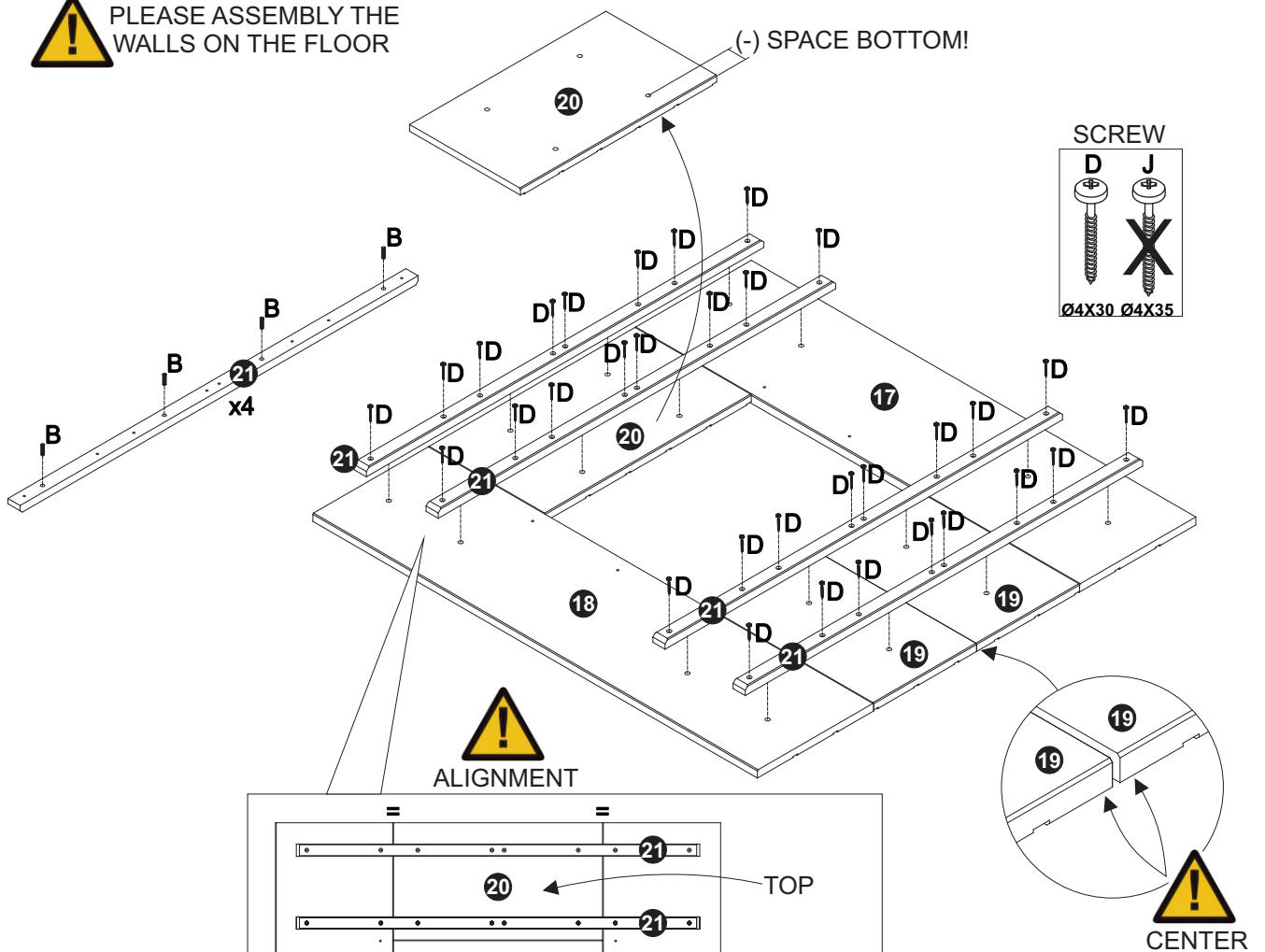


RUSTIC
OUTSIDE

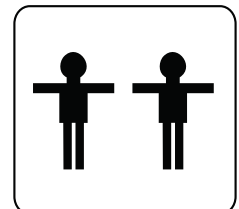
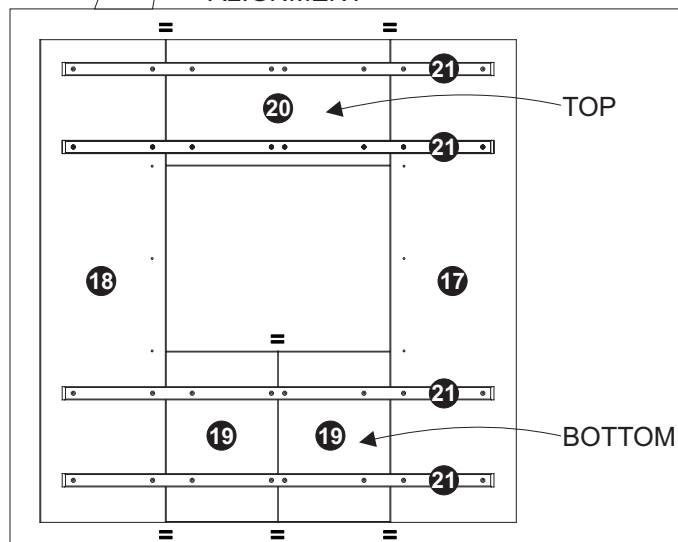
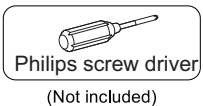
B	 Ø 8X25	16
D	 Ø 4X30	32



PLEASE ASSEMBLY THE
WALLS ON THE FLOOR



Tools required




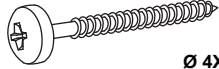
Assembly Instructions

THE USE OF POWER TOOLS IS NOT RECOMMENDED BECAUSE THEY CAN DAMAGE HARDWARE AND/OR SPLIT THE WOOD.

Step 7

Frame

- 1) Insert 4 wooden dowels (**B**) into hole shown in diagram.
- 2) Attach the parts **22** with 6 bolts (**J**) on the parts **17** and **18** using 1 philips screw driver.

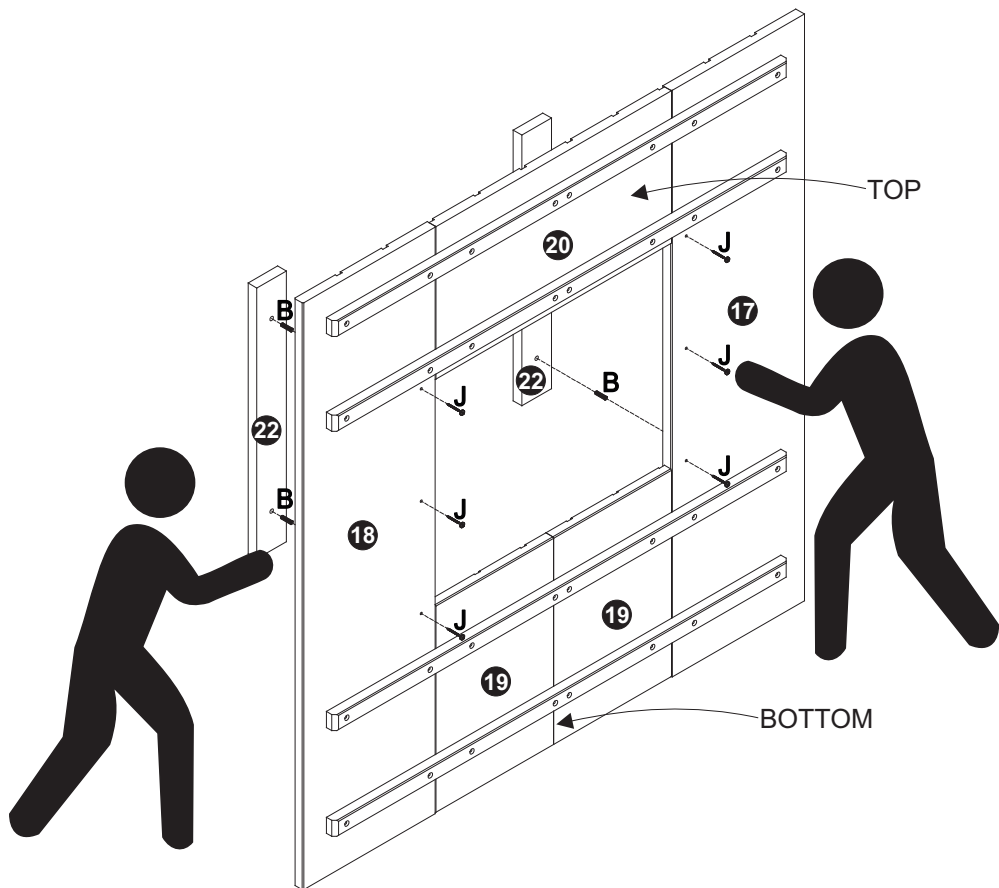
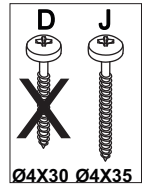
B	 Ø 8X25	04
J	 Ø 4X35	06



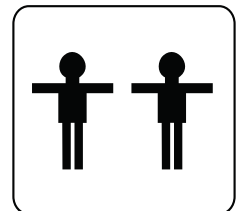
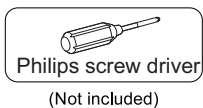
RUSTIC
OUTSIDE



SCREW



Tools required



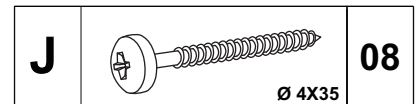
Assembly Instructions

THE USE OF POWER TOOLS IS NOT RECOMMENDED BECAUSE THEY CAN DAMAGE HARDWARE AND/OR SPLIT THE WOOD.

Step 8

Wall

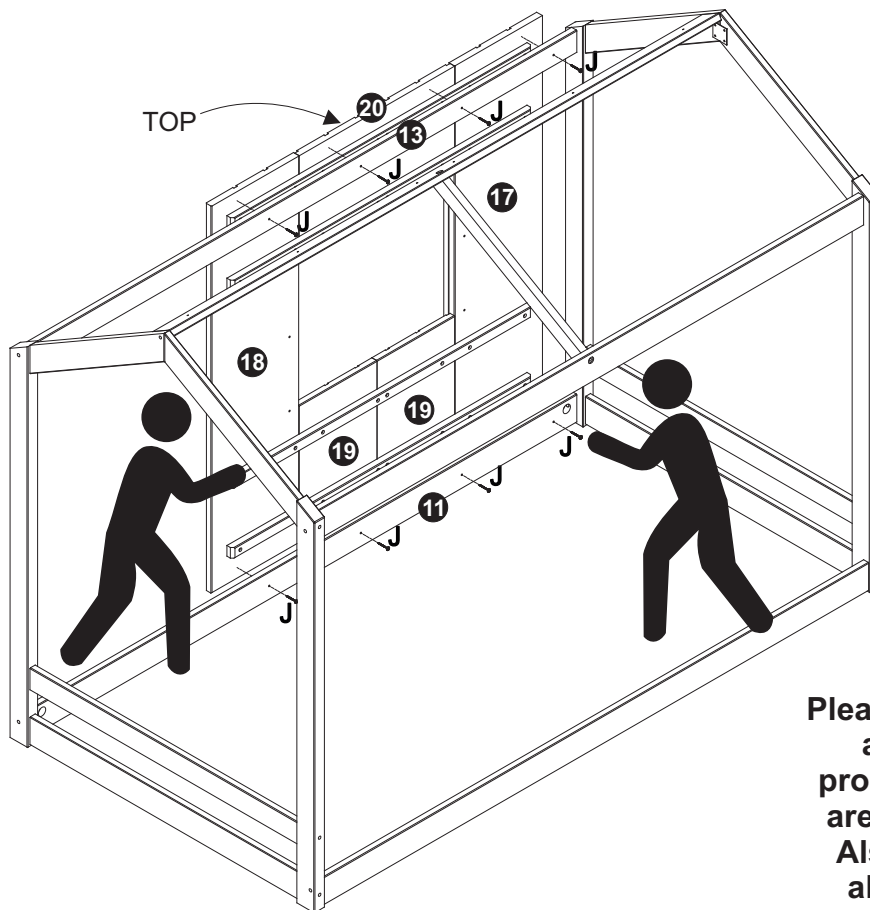
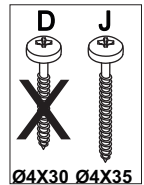
1) Attach the parts 17, 18 with 8 bolts (J) on the parts 11 and 13 using 1 philips screw driver.



RUSTIC
OUTSIDE



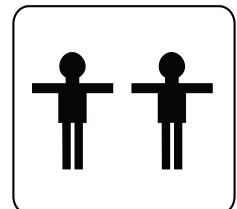
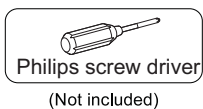
SCREW



Caution

Please be careful when assembling this product due the parts are extremely heavy. Also, please do not allow kids around when assembling this bed to avoid injuries.

Tool required



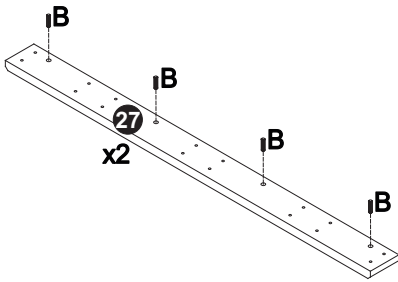
Assembly Instructions



THE USE OF POWER TOOLS IS NOT RECOMMENDED BECAUSE THEY CAN DAMAGE HARDWARE AND/OR SPLIT THE WOOD.

Step 9

Left Roof

- 1) Insert 8 wooden dowels (**B**) into hole shown in diagram.
- 2) Attach the parts **23**, **24** and **25** with 32 bolts (**D**) on the parts **27** using 1 philips screw driver.



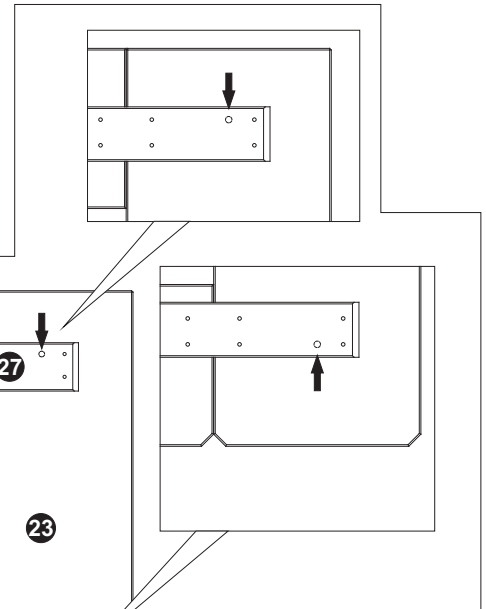
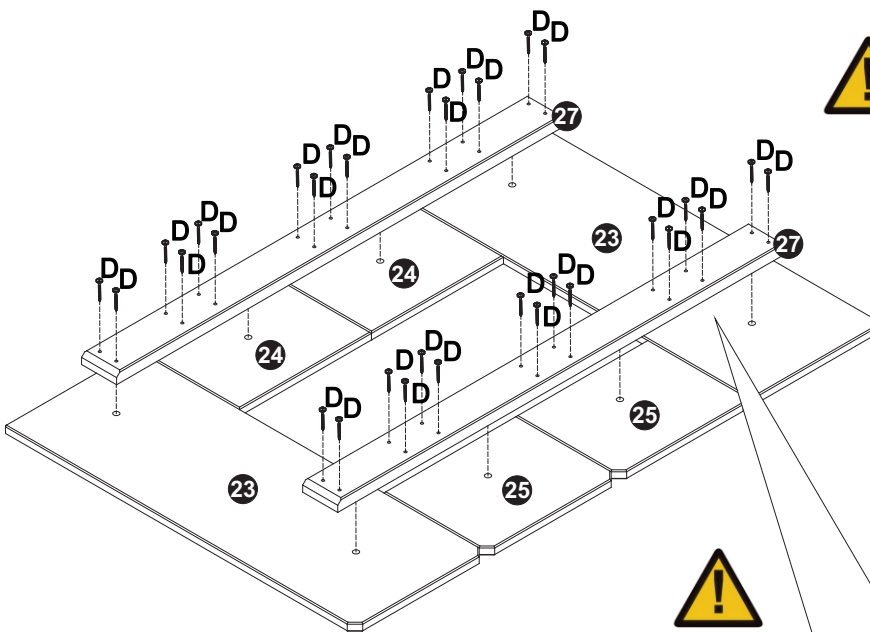
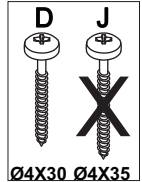
B	 Ø 8X25	08
D	 Ø 4X30	32



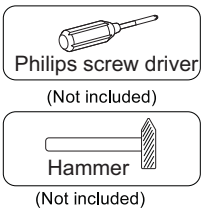
PLEASE ASSEMBLY THE
ROOF ON THE FLOOR



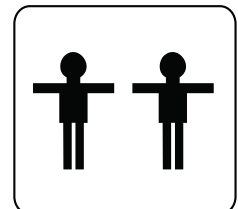
SCREW



Tools required



BOTTOM



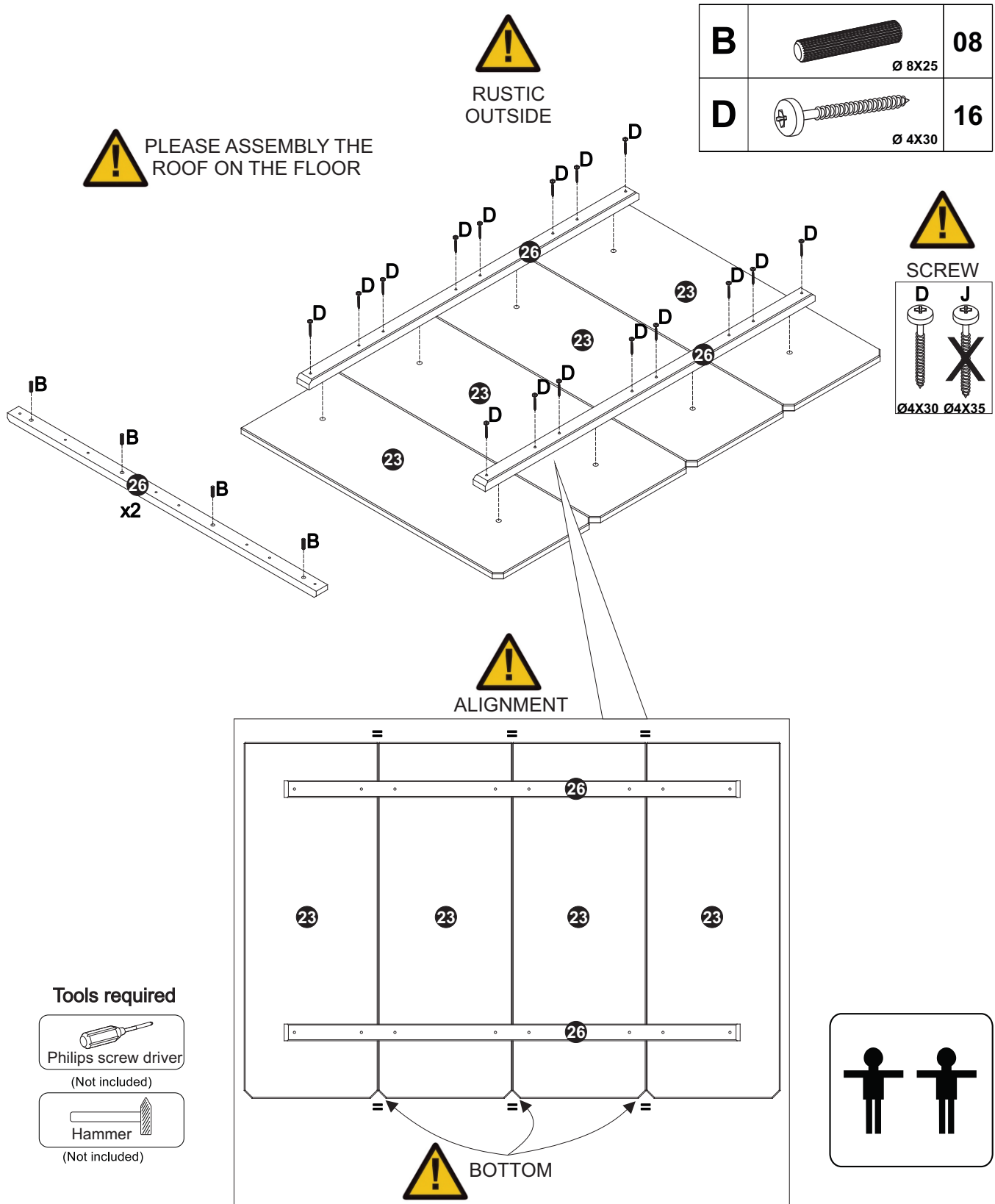
Assembly Instructions

THE USE OF POWER TOOLS IS NOT RECOMMENDED BECAUSE THEY CAN DAMAGE HARDWARE AND/OR SPLIT THE WOOD.

Step 10

Right Roof

- 1) Insert 8 wooden dowels (**B**) into hole shown in diagram.
- 2) Attach the parts **23** with 16 bolts (**D**) on the parts **26** using 1 philips screw driver.



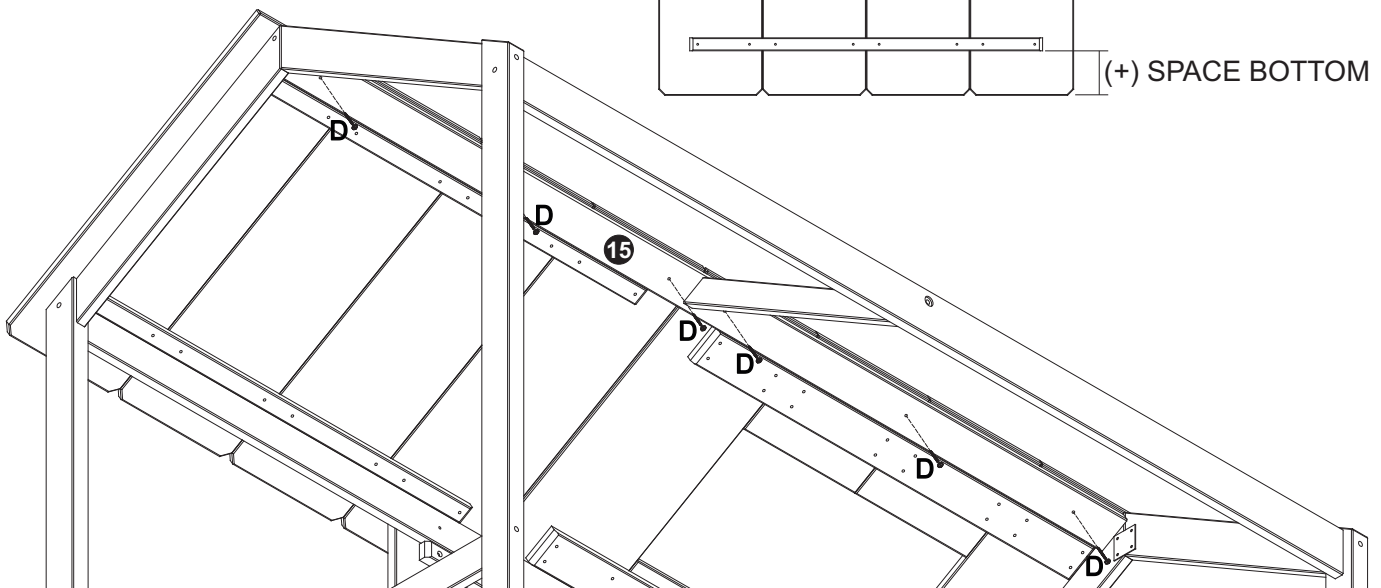
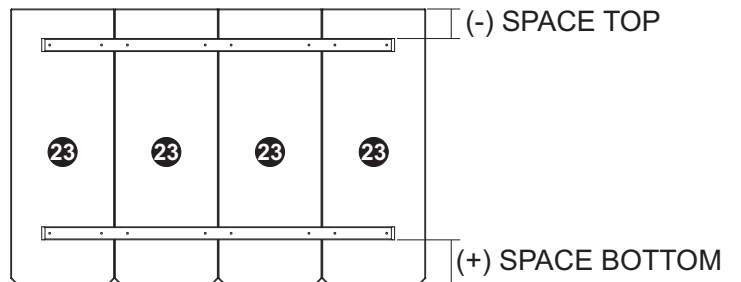
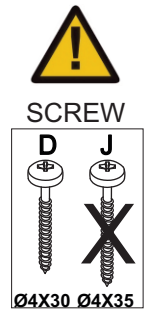
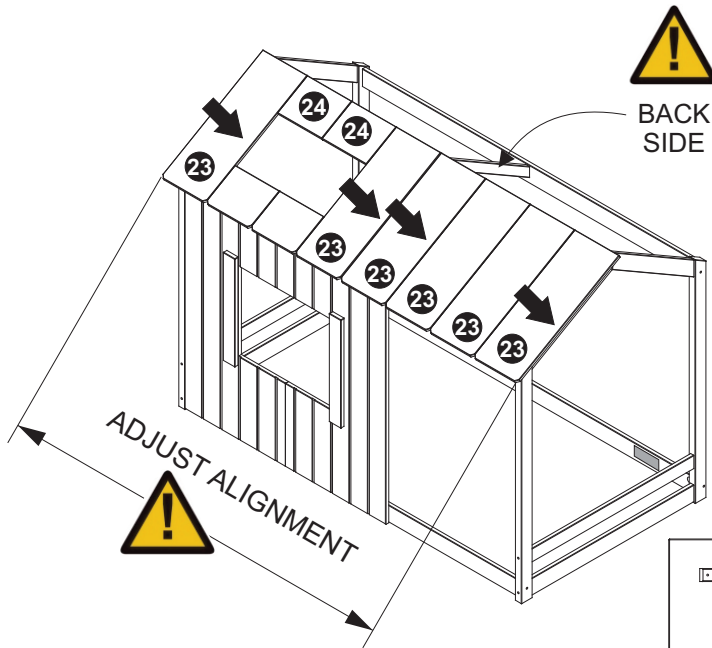
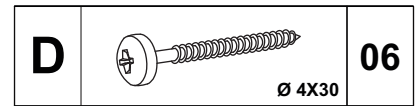
Assembly Instructions

THE USE OF POWER TOOLS IS NOT RECOMMENDED BECAUSE THEY CAN DAMAGE HARDWARE AND/OR SPLIT THE WOOD.

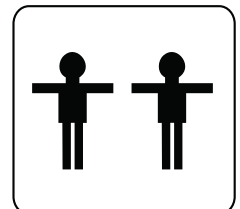
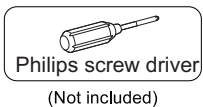
Step 11

Roof

1) Attach the parts **23**, **24** top side with 6 bolts (**D**) on the part **15** using 1 philips screw driver.



Tool required





Assembly Instructions

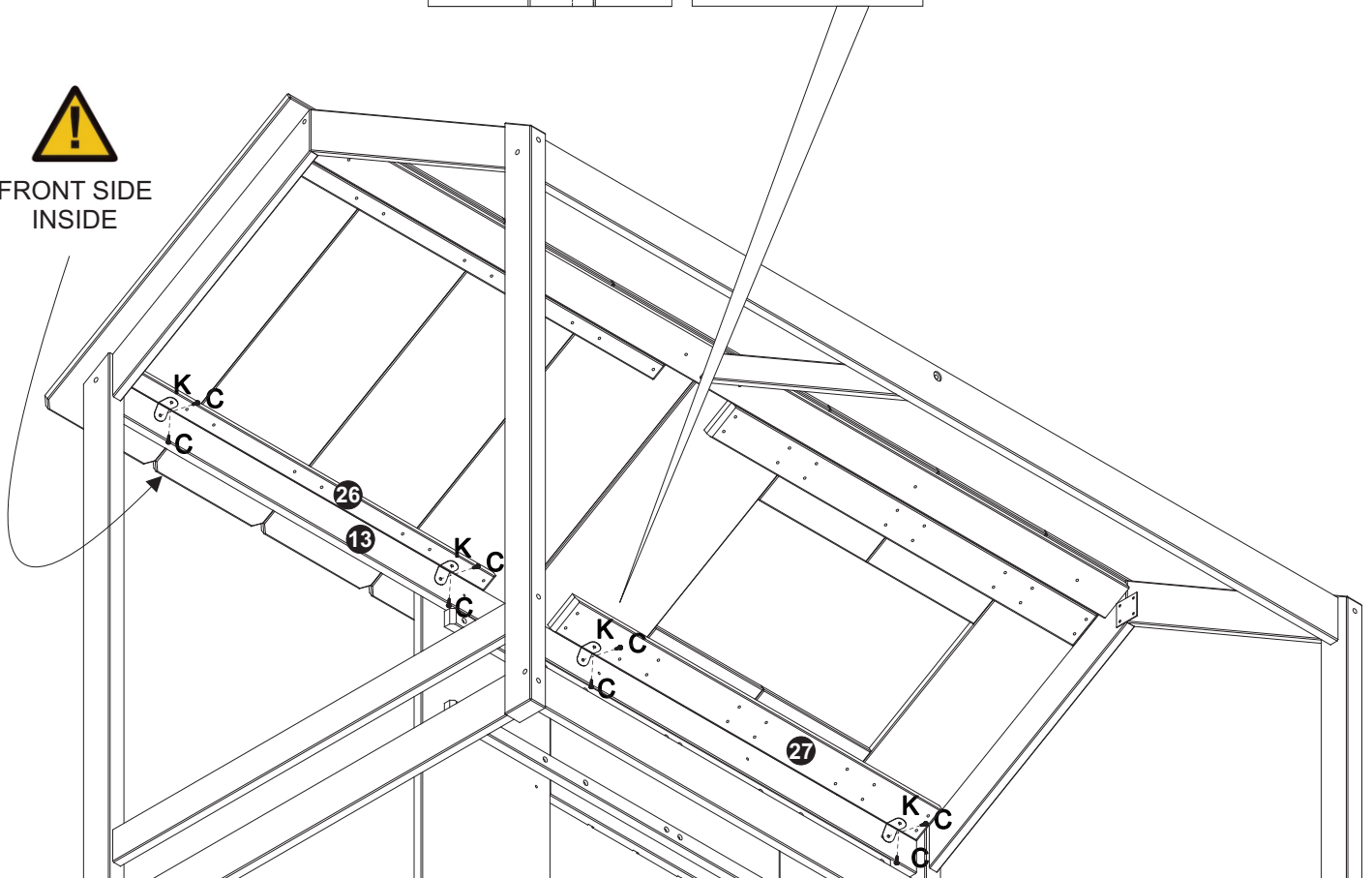
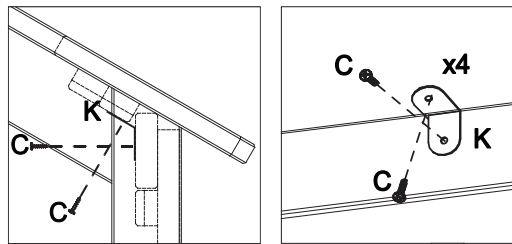
THE USE OF POWER TOOLS IS NOT RECOMMENDED BECAUSE THEY CAN DAMAGE HARDWARE AND/OR SPLIT THE WOOD.

Step 12

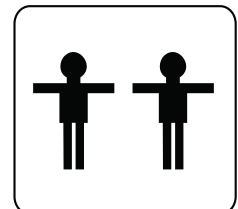
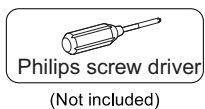
Roof

1) Attach the parts **26**, **27** bottom side with 8 bolts (**C**) and 4 angle (**K**) on the part **13** using 1 philips screw driver.

C	 Ø 3,5X16	08
K		04



Tool required



CARE AND MAINTENANCE:

MAINTENANCE:

- Our furniture is designed to be low maintenance, however misuse, irregular use, or improper assembly can result in product malfunction. Regularly check the stability. If pieces feel loose or wobbly tighten all screws immediately.
- To store, review Assembly Instructions and reverse the steps to disassemble.
- Use only provided hardware to assemble and maintain assembly.

CARE:

- To clean use a soft, lint free rag similar to a cloth diaper and wipe away dust regularly. If necessary dampen cloth slightly with warm water and gently rub away spots. Dry thoroughly.
 - Do not use a bleach solution.
 - Do not submerge or allow to lie in standing water.
 - Do not use a sponge or harsh abrasive.
 - Do not use all purpose cleaners or harsh detergents.
 - Do not use Pine Oil cleaners or abrasive household cleaners.
 - Do not use heat or hot water.

ABOUT WOOD AND FINISH:

This product has been carefully crafted of MDF, solid pine wood and/or pine veneers. These materials derive from plantations, a renewable and well managed forest, therefore, not endangering the environment. The highest quality standards have been implemented to assure a sturdy and reliable product. Due to the natural variances in the graining of wood, you may notice subtle differences in the shading and tone of the color stain, warp, holes, wood knots and also small cracks. This is not a defect. But rather a result of the natural beauty of the wood itself.

PLEASE REGISTER THIS PRODUCT AT: WWW.PKOLINO.COM/REGISTER

California 93120 compliant for formaldehyde Phase 2 TPC-AQCARB-03

Return Policy:

- For products purchased through our retail partners please contact them for resolution prior to contacting P'kolino.
- At P'kolino it is our commitment to improve play at home with products that are playfully-stylish and functionally-smart. That means, we want you and the child(ren) to love the way our products look and work. If within 10 days of receipt of your product you are not satisfied you may return it for a refund of the merchandise value.
- Our products and packaging have been designed to withstand standard delivery methods, however, please inspect your product upon receipt for damage to the packaging as products damaged during shipping are subject to exchange or refund. If product has been visibly damaged it is recommended that you refuse the delivery by the carrier. Notify us of the shipment rejection and upon receipt of the rejected shipment we will send you a replacement at no charge.
- To return your product, contact the retailer you purchased your product from. For products with visible wear or that are not properly repackaged will incur a restocking fee of 10%. Please follow assembly, use and care instructions carefully as we will not accept returns on products damaged due to improper assembly, altered or modified products, or on items damaged from normal, excessive or unintended use. Return shipping expenses, unless otherwise specifically stated by P'kolino, will be the customer's expense.
- If you have questions regarding our policy please contact us at customercare@pkolino.com or 888-403-8992.

Warranty:

- P'kolino products are guaranteed to be free from defects in material and workmanship under normal and intended use for a period of 30 days from the date of your purchase.

Replacement/Credit:

- If our product fails to meet our warranty during the warranty period, we will, at our option, replace the product or provide you with a replacement of comparable value.

What Our Limited Warranty Does Not Cover:

- We offer this limited warranty only when the product is used by the original end-user customer. We offer no other warranty. Additionally, while our warranty is excellent, there are other limits to it. We offer NO WARRANTY in cases of damage in transit, inadequate care, abuse, abnormal use, misuse, accidents, normal wear and tear, damage due to environmental or natural elements, failure to follow product instructions, immersion in water (except for products specifically identified by us in writing as intended for water use), or improper storage or maintenance of the products.

Limitation on Damages:

- IN NO EVENT SHALL P'KOLINO, LLC BE LIABLE FOR INCIDENTAL, COMPENSATORY, PUNITIVE, CONSEQUENTIAL, INDIRECT, SPECIAL OR OTHER DAMAGES. OUR AGGREGATE LIABILITY WITH RESPECT TO DEFECTIVE PRODUCTS IS LIMITED TO THE MONIES PAID TO US FOR THE DEFECTIVE GOOD.

Some states and countries do not allow the exclusion or limitation of incidental, consequential or other damages, so the above limitation or exclusion may not apply to you. This warranty gives you specific legal rights, and you may also have other rights which vary based on state, province or country.

Contact Information

Please feel free to contact us at the address listed below

P'kolino LLC • 7300 NW 35th Avenue • Miami, FL 33147 • USA