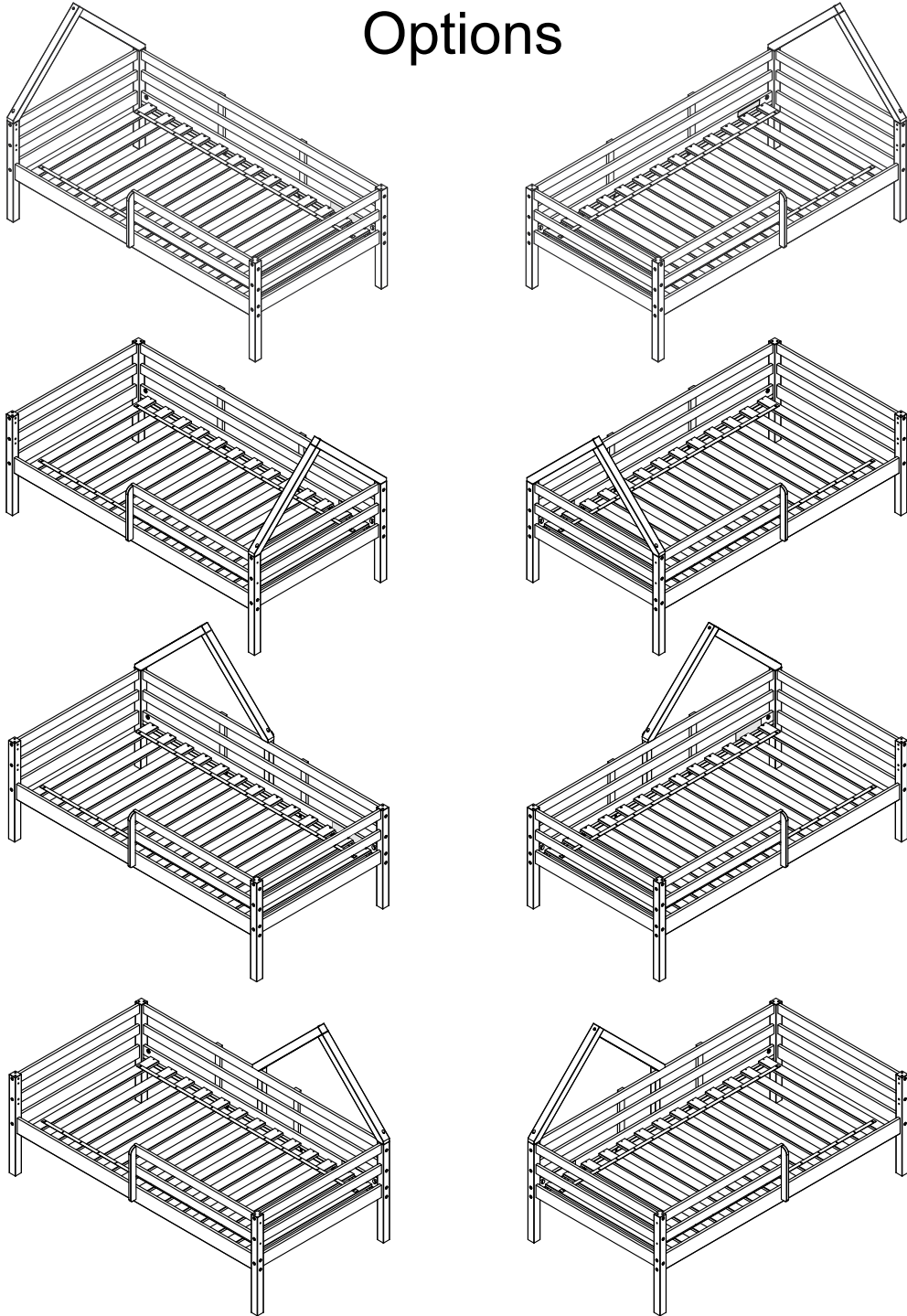




Casita Single Bed-Twin

Options



**READ ALL INSTRUCTIONS BEFORE ASSEMBLING TWIN BED.
KEEP INSTRUCTIONS FOR FUTURE USE.
THE ASSEMBLY OF THIS PRODUCT REQUIRES TWO ADULTS.**



WARNING:

ADULT ASSEMBLY REQUIRED.

Product must be assembled by an adult before use.

After assembly has been completed, all remaining materials and packaging are to be recycled according to the regulations in force and kept out of children's reach. Components left after the assembly are not intended for play.

Failure to follow these warnings and the assembly instructions could result in serious injury or death.

Bed is intended for home use, not to be used in public institutions. (hospitals, daycares, etc.)



WARNING:

California Proposition 65

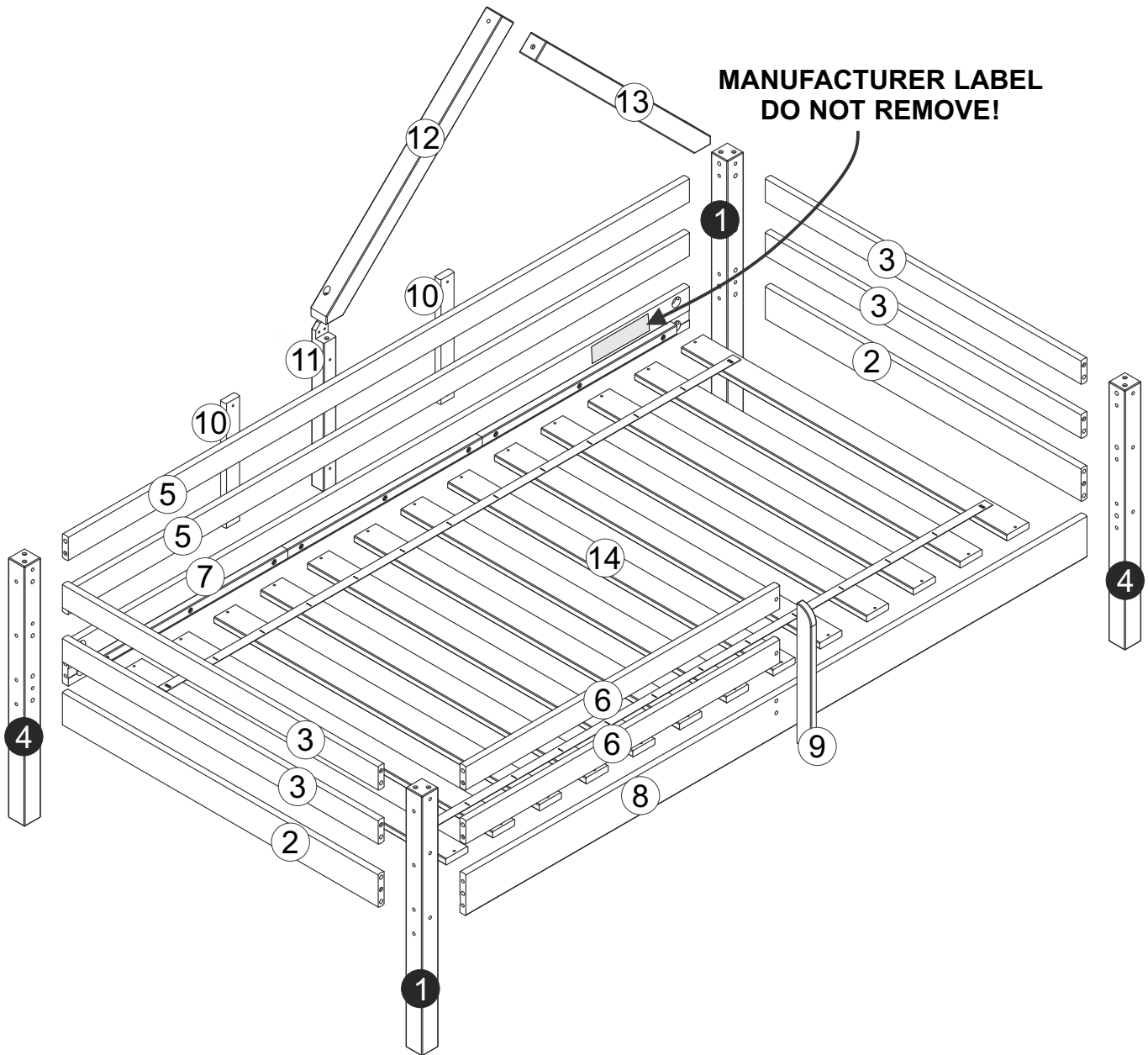
This product can expose you to chemicals including wood dust, which is known to the State of California to cause cancer and birth defects or other reproductive harm. For more information, go to www.p65warnings.ca.gov.

FOR MISSING PARTS OR HARDWARE:

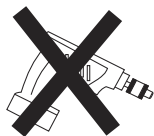
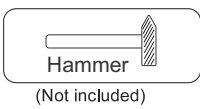
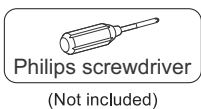
DO NOT CONTACT THE STORE WHERE YOU MADE YOUR PURCHASE. Please contact the manufacturer directly at customercare@pkolino.com or 888-403-8992. For customer service cases involving hardware please provide the part number.

This Box Contains:

Single Twin Parts:



Tools required

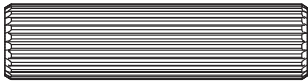


You will need a Phillips head screwdriver and a hammer

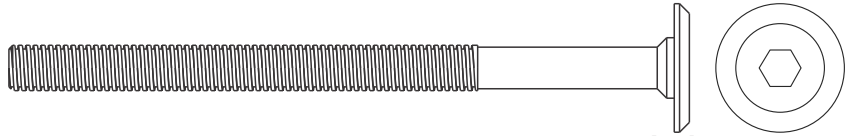
P'kolino products meet or exceed US, EU, and Canadian safety standards. REG. NO. PA-27620 (CN)

P'kolino (pee-ko-lee-no) © 2020 P'kolino, LLC. All Rights Reserved. All New Materials: Pine Wood. FSC certified. Non toxic and VOC free finish. Made in Brazil.
Questions or comments? Please email: customer@pkolino.com Or write to: P'kolino Studio • 7300 NW 35th Ave • Miami, FL 33147, USA. August 2022.

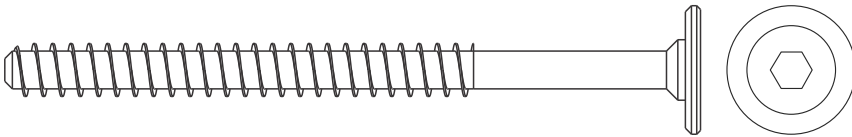
Identify the size and type of hardware using the illustration below:



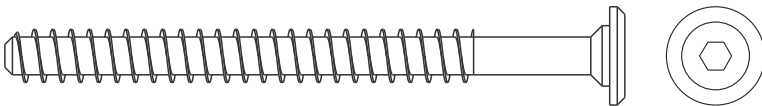
26- wooden dowels 1 $\frac{1}{16}$ "
(10 x 40mm) **(A)**



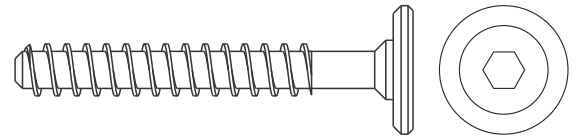
8- bolts $\frac{1}{4}$ " x 3 $\frac{1}{2}$ " (1/4 x 90mm) **(B)**



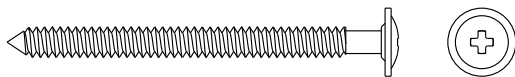
18- bolts 3 $\frac{1}{2}$ " (7 x 90mm) **(C)**



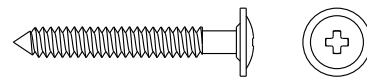
7- bolts 3 $\frac{1}{8}$ " (7 x 80mm) **(D)**



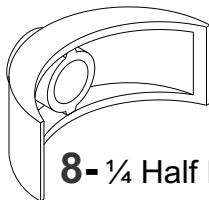
4- bolts 2" (7 x 50mm) **(E)**



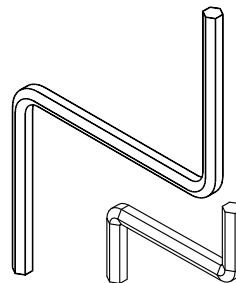
5- screws 2" (4 x 50mm) **(F)**



32- screws 1 $\frac{3}{16}$ " (4 x 30mm) **(G)**



8- $\frac{1}{4}$ Half Moon Nut **(H)**



1- allen wrench **(I)**

FOR MISSING PARTS OR HARDWARE:

DO NOT CONTACT THE STORE WHERE YOU MADE YOUR PURCHASE.

Please contact the manufacturer directly at customercare@pkolino.com or 888-403-8992.

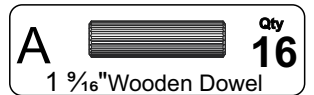
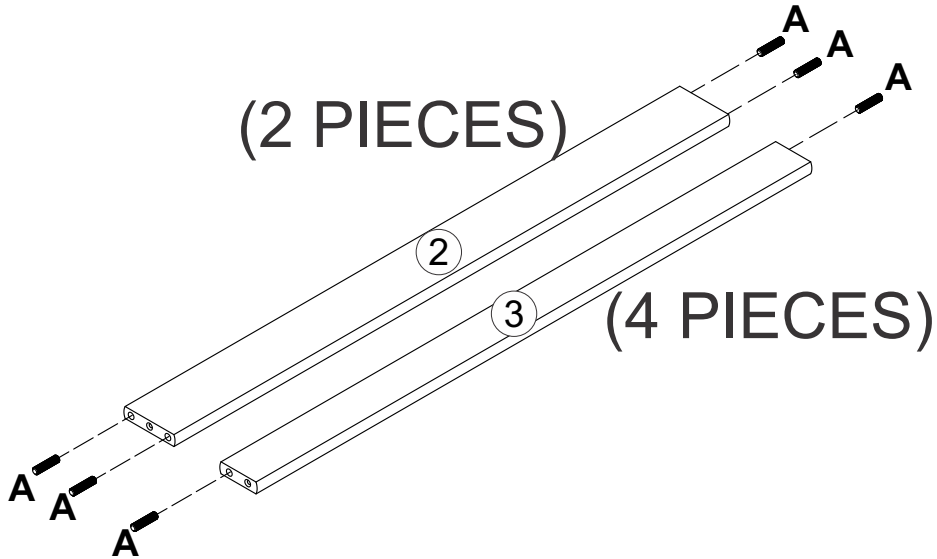
For customer service cases involving hardware please provide the part number.

Assembly Instructions

THE USE OF POWER TOOLS IS NOT RECOMMENDED BECAUSE THEY CAN DAMAGE HARDWARE AND/OR SPLIT THE WOOD.

Step 1

Insert 16 wooden dowels (A) into the holes, as shown in the diagram.



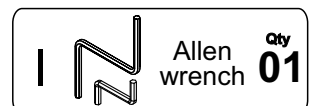
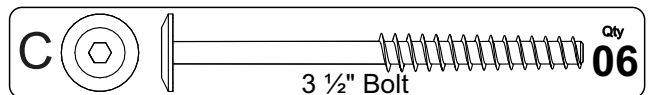
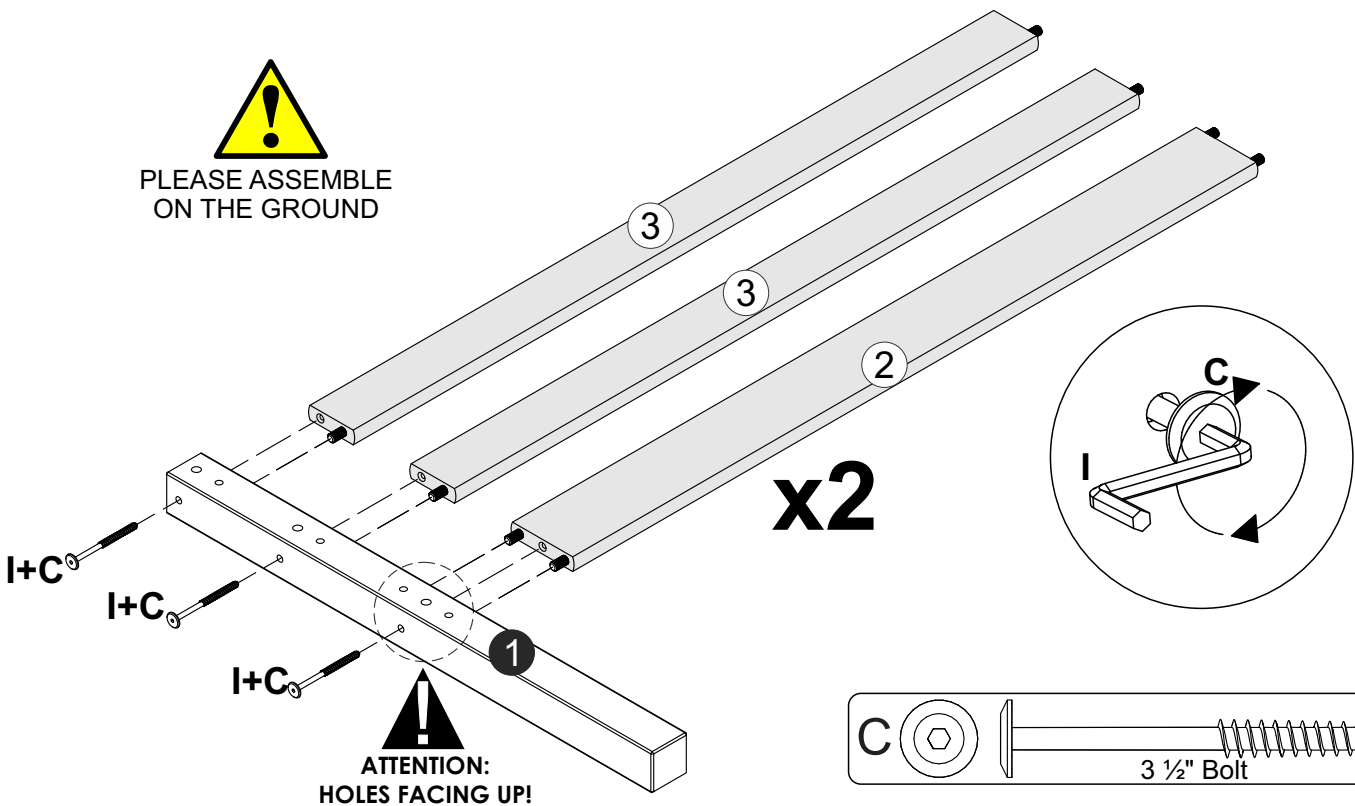
Step 2

Headboard/Footboard

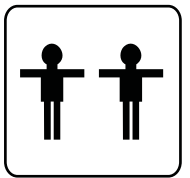
Attach parts 2 and 3 on to part (1) with 6 bolts (C), using 1 Allen wrench (I).



PLEASE ASSEMBLE
ON THE GROUND



Assembly Instructions



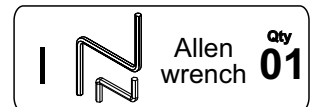
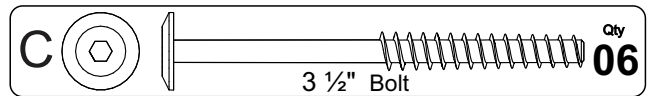
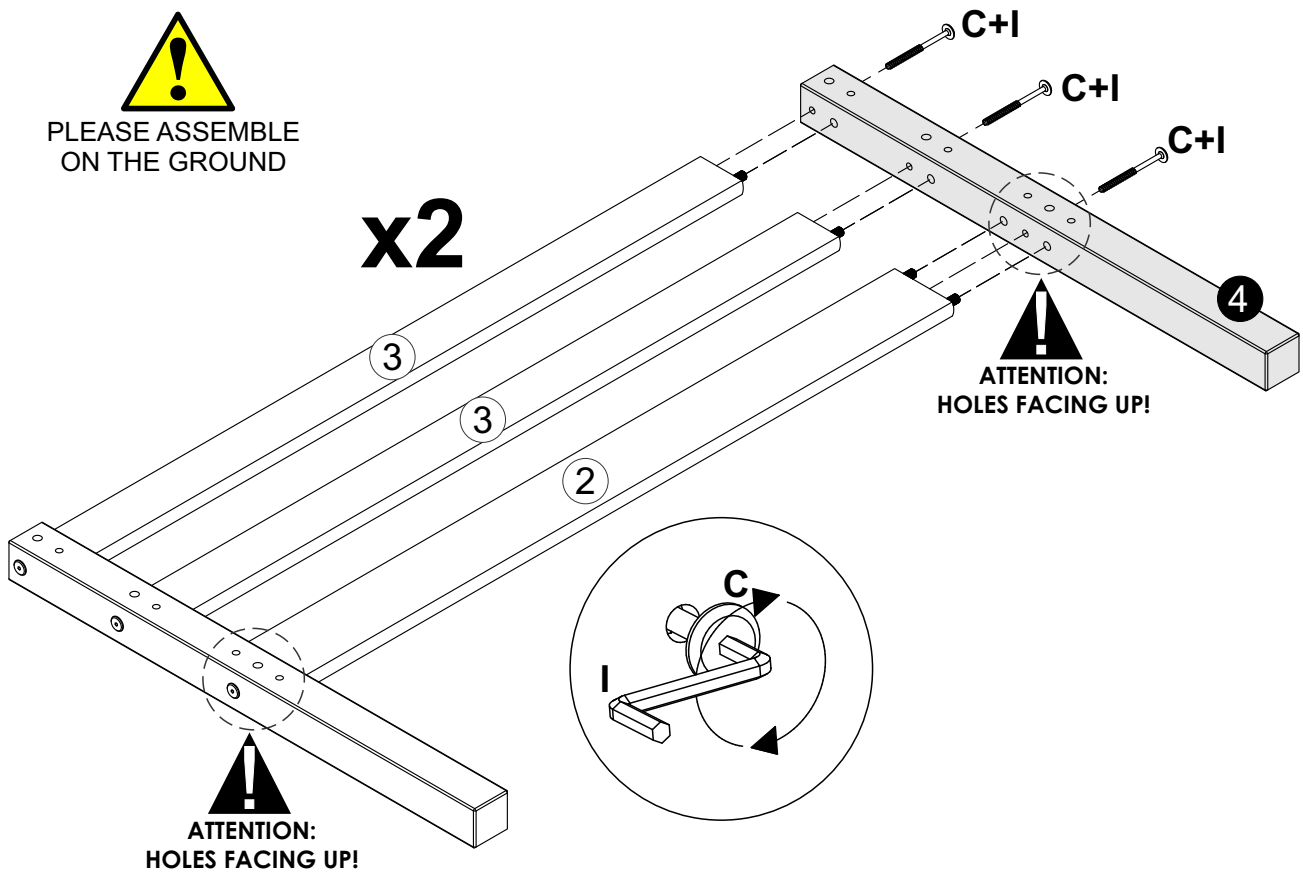
Step 3

Headboard/Footboard

Attach parts 4 on to parts 2 and 3 with 6 bolts (C), using 1 Allen wrench (I).



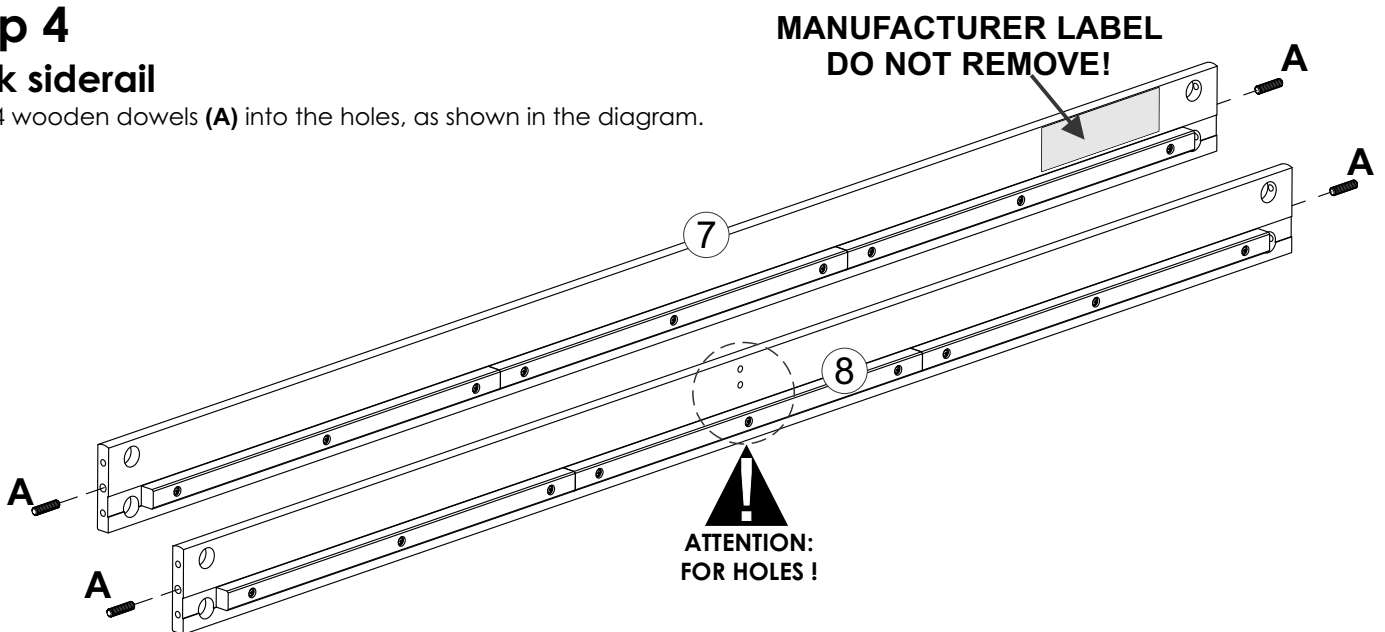
PLEASE ASSEMBLE
ON THE GROUND



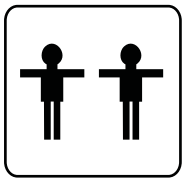
Step 4

Back siderail

Insert 4 wooden dowels (A) into the holes, as shown in the diagram.



Assembly Instructions

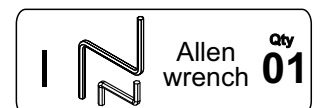
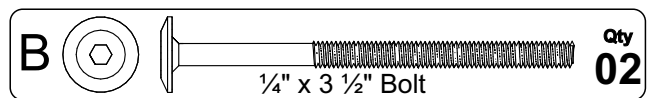
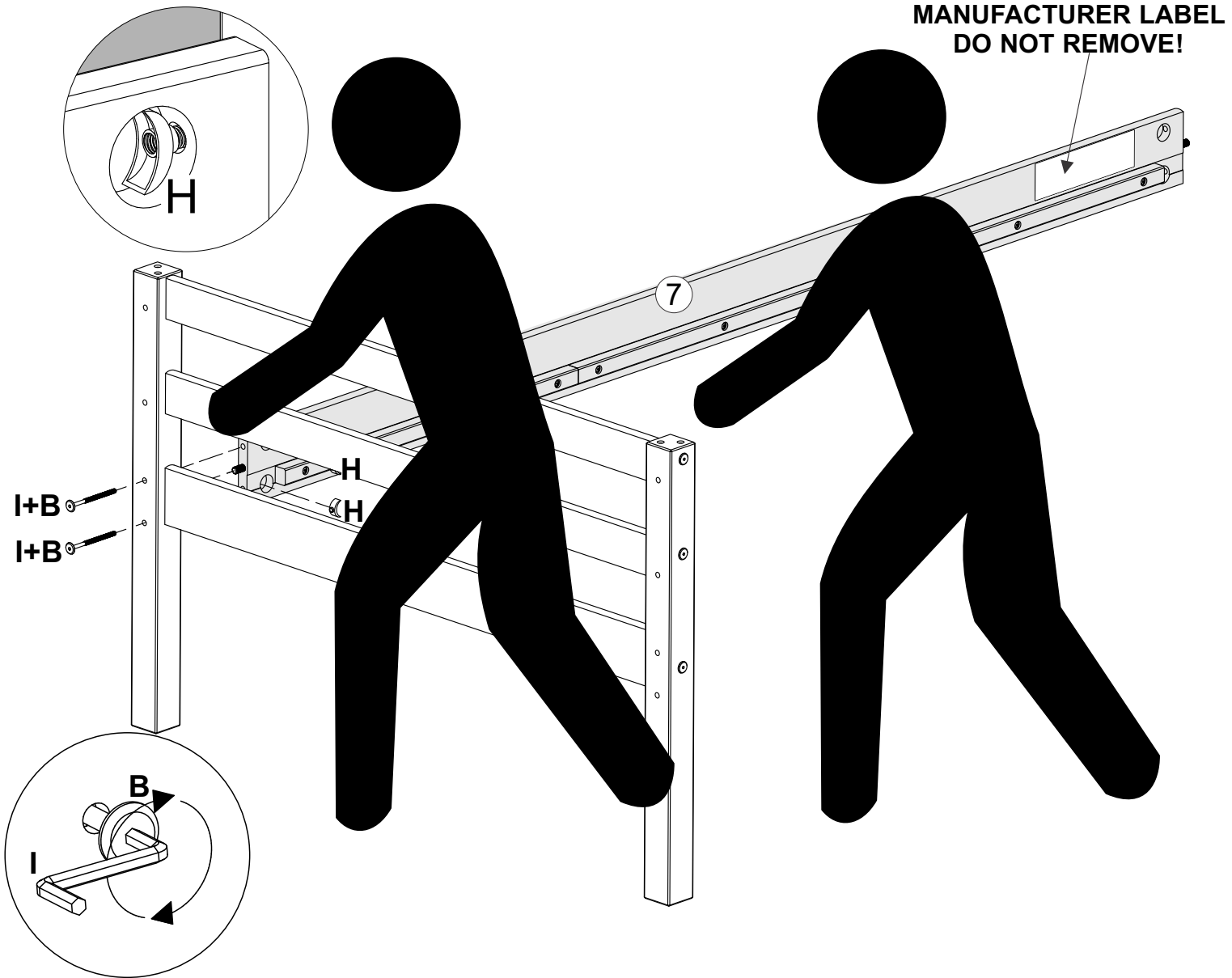


Step 5

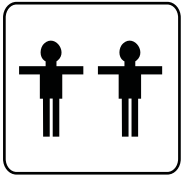
Back siderail

Attach part 7 on the **Headboard/Footboard** with 2 bolts (**B**) and 2 Half Moons (**H**), using 1 Allen wrench (**I**).

Important 2 people for assembly



Assembly Instructions

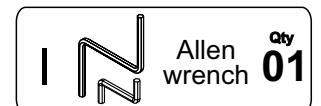
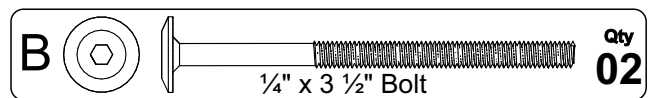
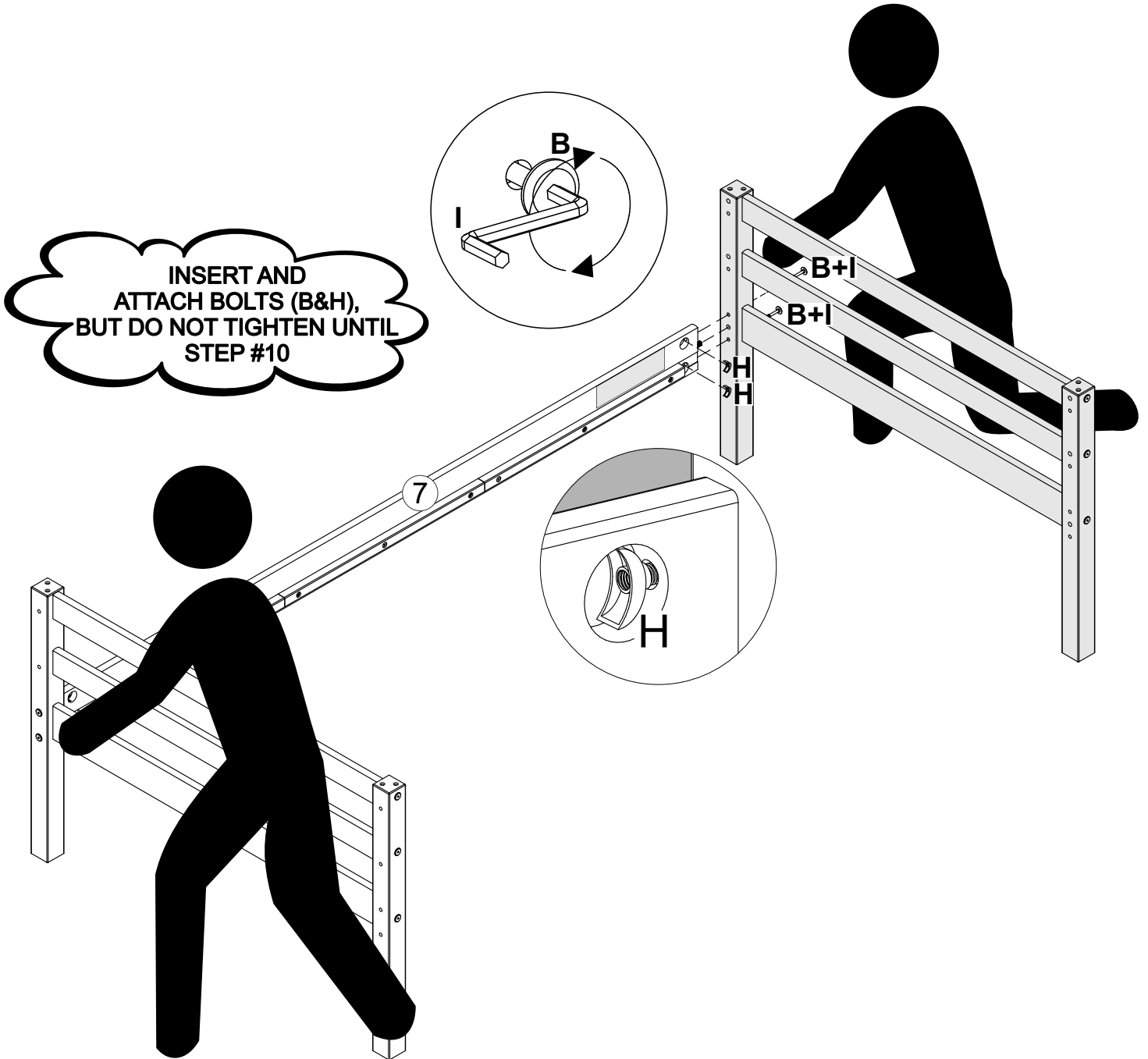


Step 6

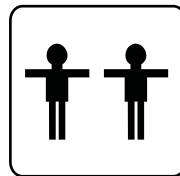
Headboard/Footboard

Attach **Headboard/Footboard** on to part 7 with 2 bolts (**B**) and 2 Half Moons (**H**), using 1 Allen wrench (**I**).

Important 2 people for assembly



Assembly Instructions

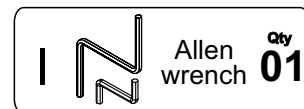
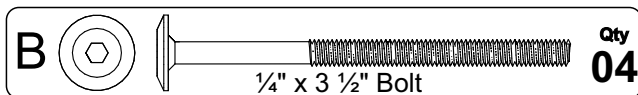
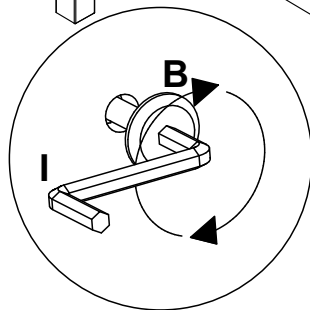
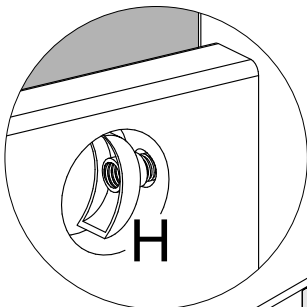
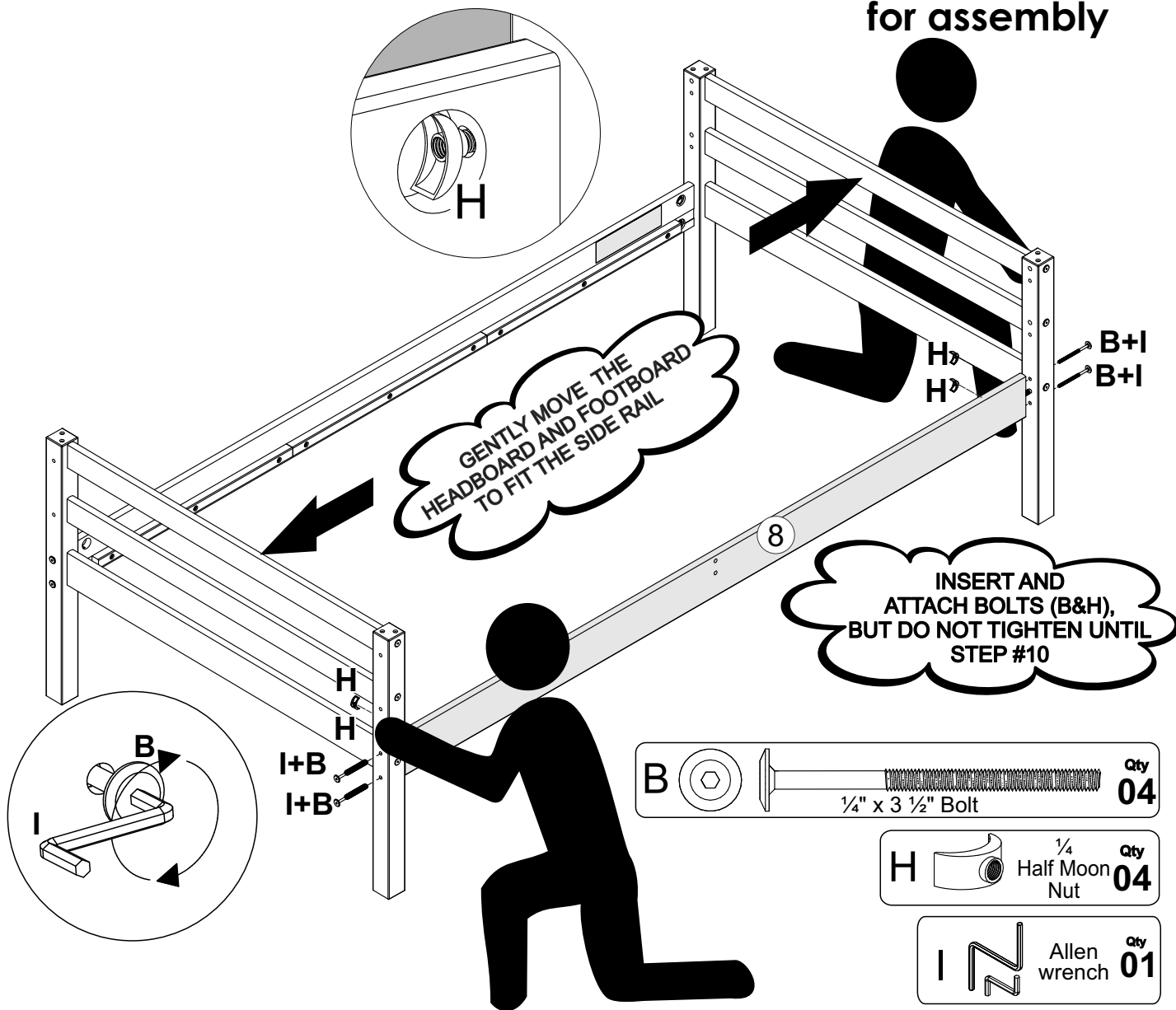


Step 7

Front siderail

Attach part **8** on the **Footboard and Headboard** with 4 bolts (**B**) and 4 Half Moons (**H**), using 1 Allen wrench (**I**).

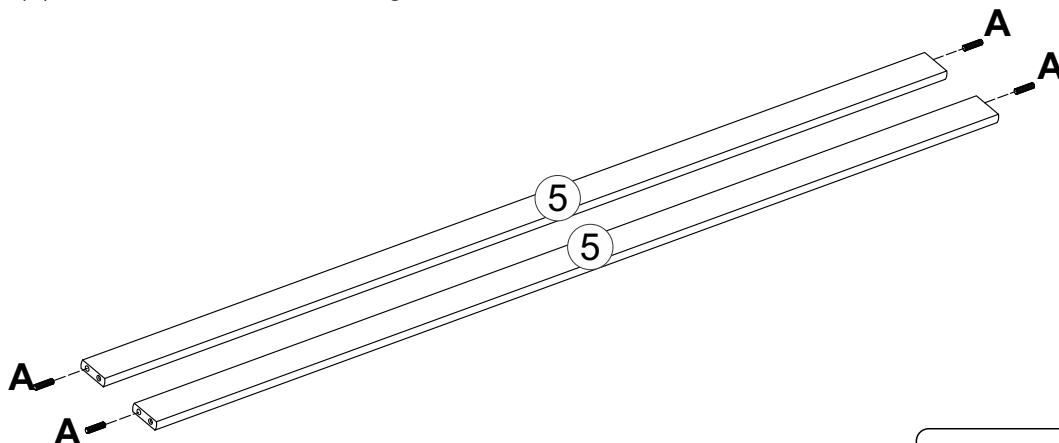
Important 2 people for assembly



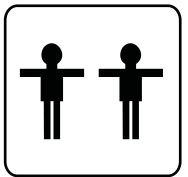
Step 8

Back guardrails

Insert 4 wooden dowels (**A**) into the holes, as shown in diagram.



Assembly Instructions

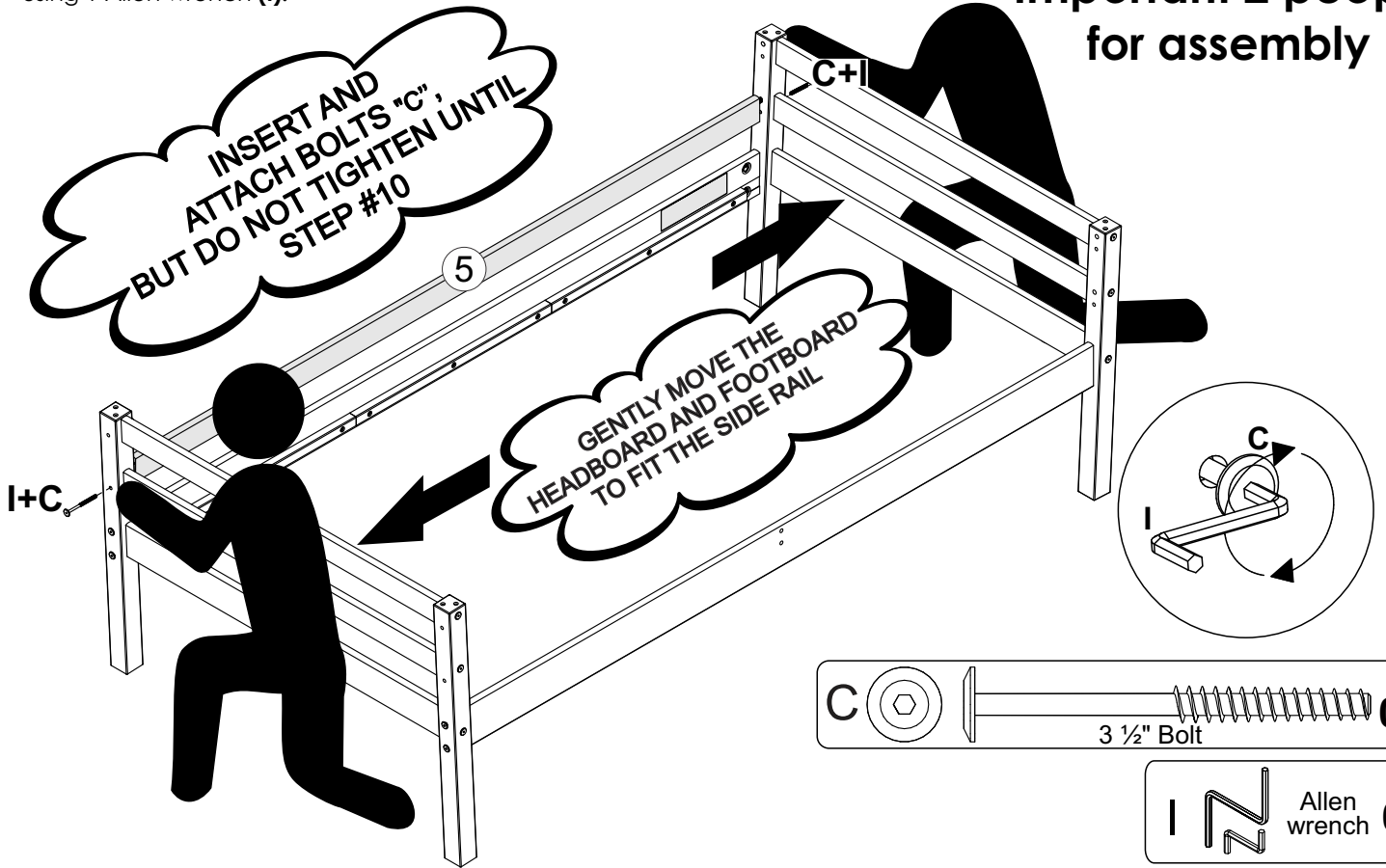


Step 9

Back guardrails

Attach part 5 on the Headboard and Footboard with 2 bolts (C), using 1 Allen wrench (I).

Important 2 people for assembly

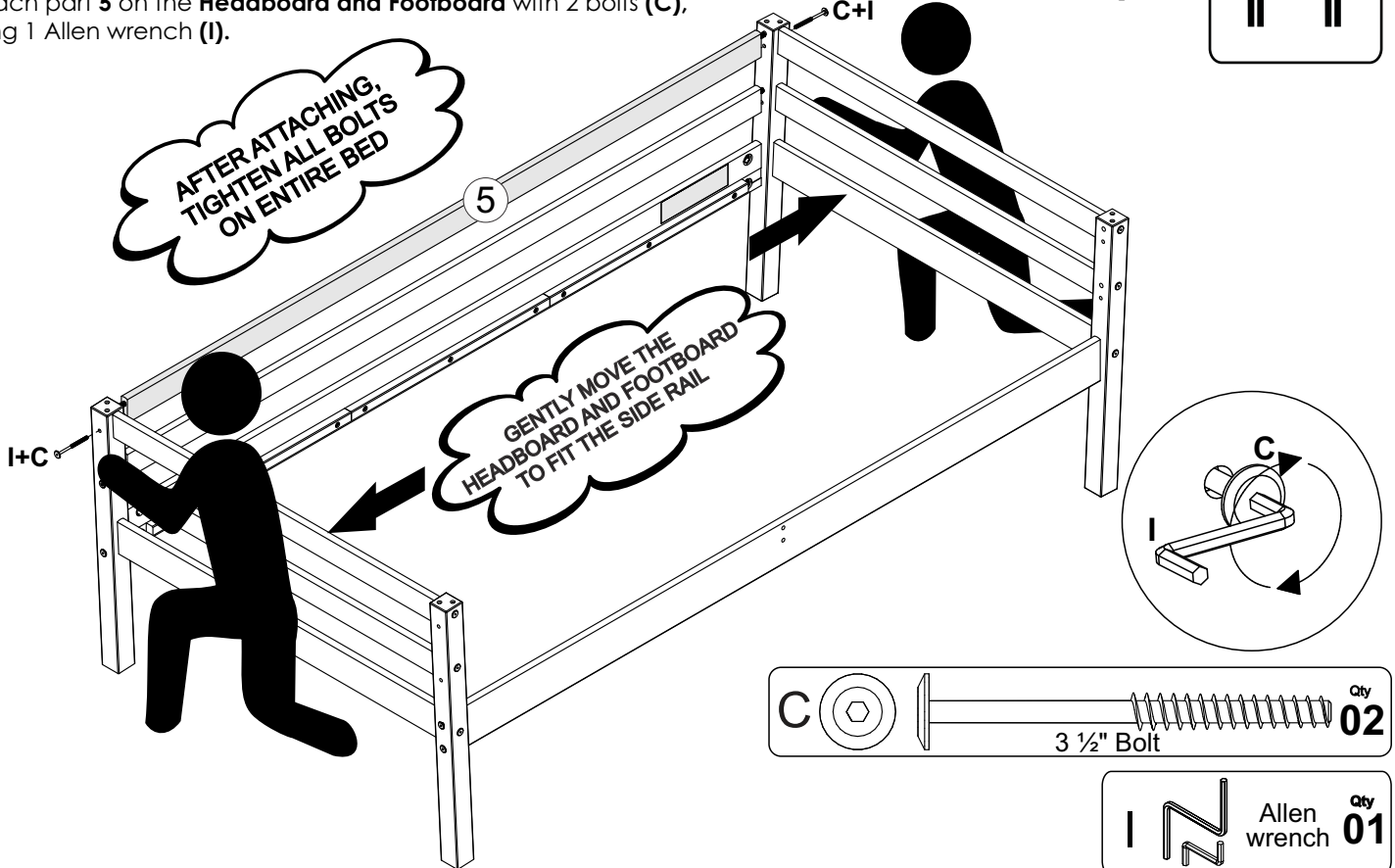
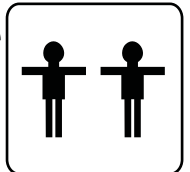


Step 10

Back guardrails

Attach part 5 on the Headboard and Footboard with 2 bolts (C), using 1 Allen wrench (I).

Important 2 people for assembly

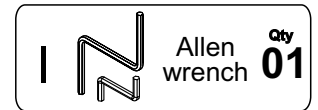
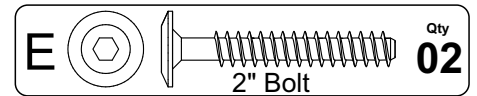
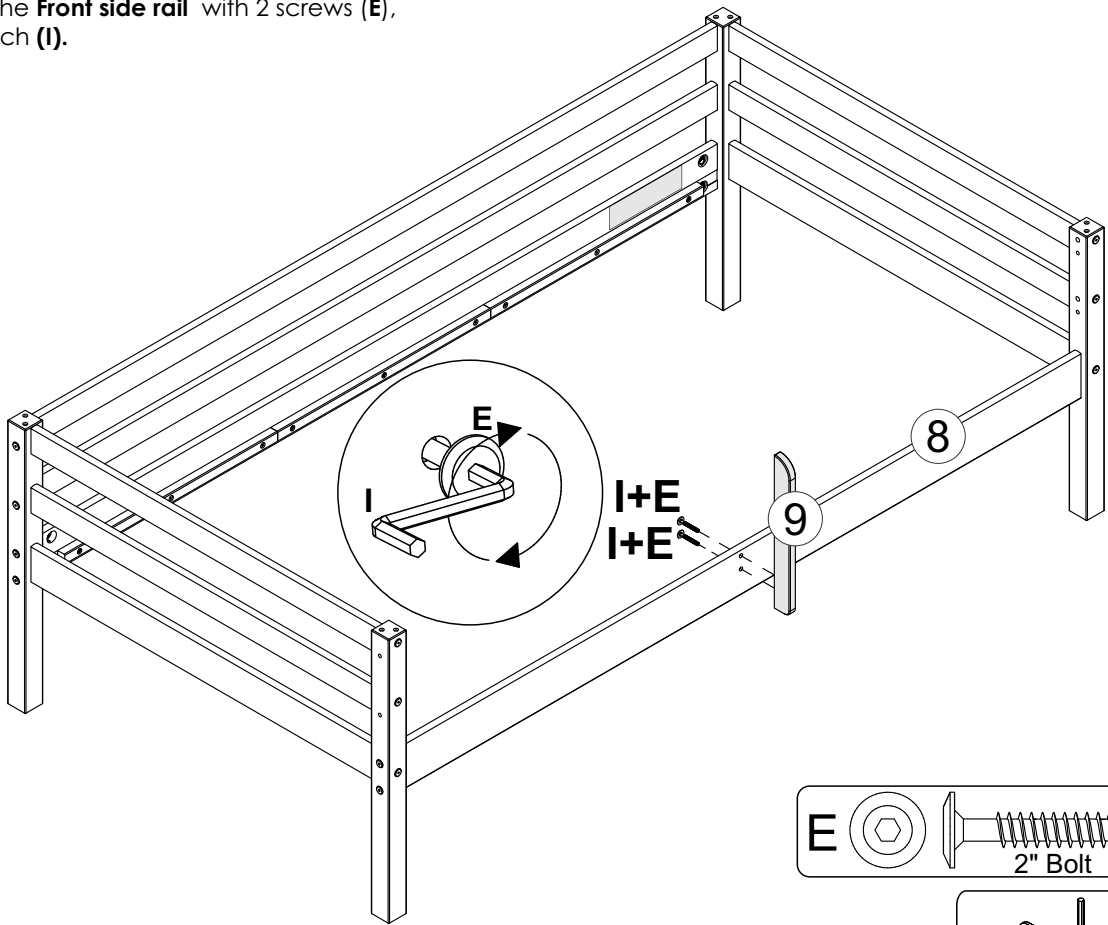


Assembly Instructions

Step 11

Front guardrail support

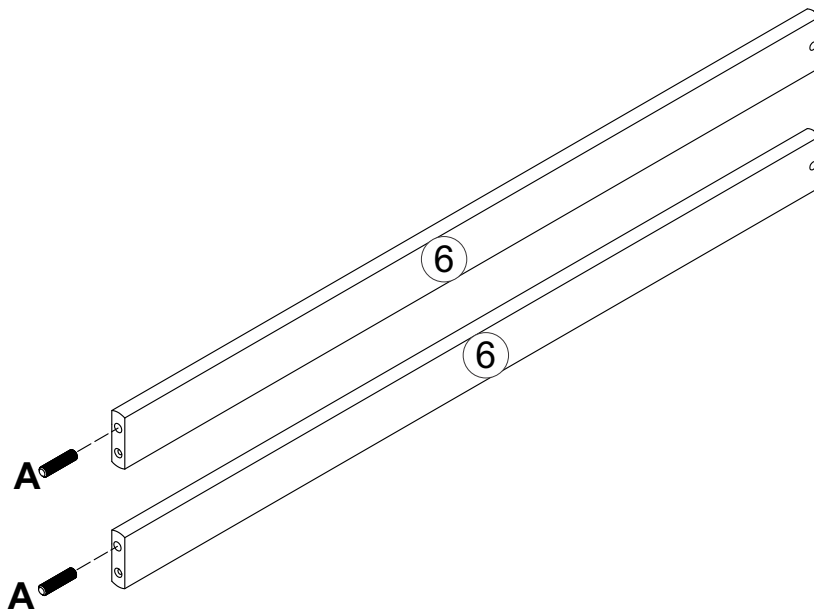
Attach part **9** on the **Front side rail** with 2 screws (**E**), using 1 Allen wrench (**I**).



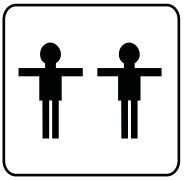
Step 12

Front guardrails

Insert 2 wooden dowels (**A**) into the holes, as shown in the diagram.



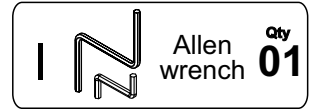
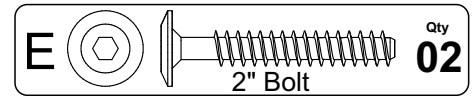
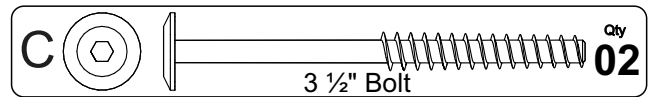
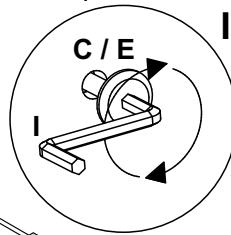
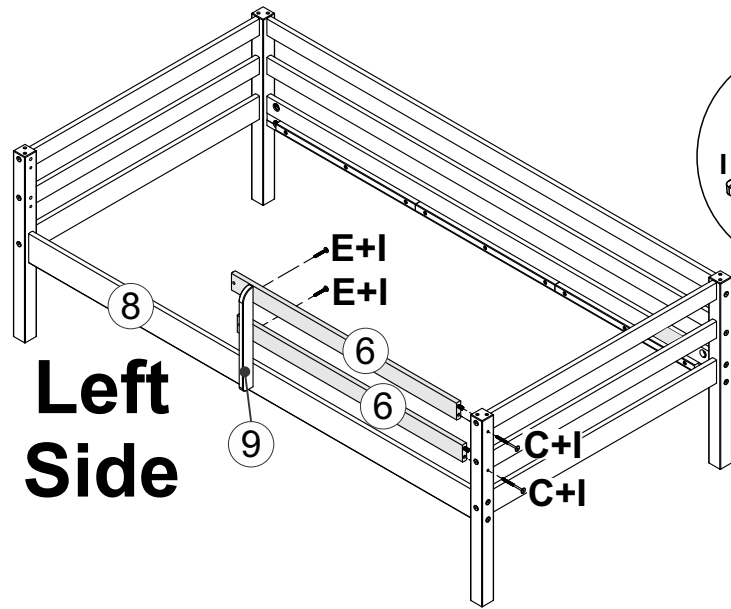
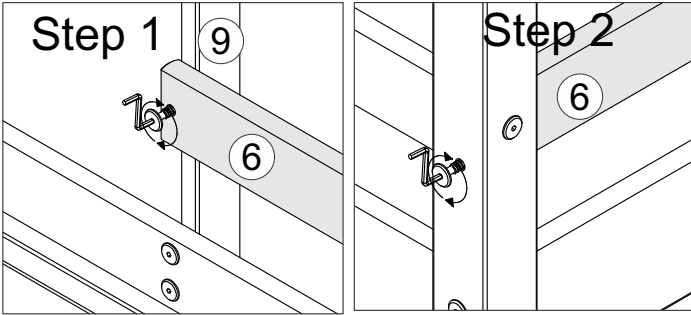
Assembly Instructions



Step 13

Front guardrail

- 1) Please choose the right or left option before starting assembly.
- 2) Attach parts 6 on the **Headboard** or **Footboard** with 2 bolts (C), using 1 Allen wrench (I).
- 3) Attach parts 6 on the part 9 with 2 bolts (E), using 1 Allen wrench (I).



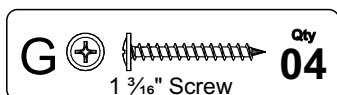
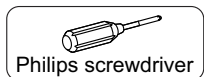
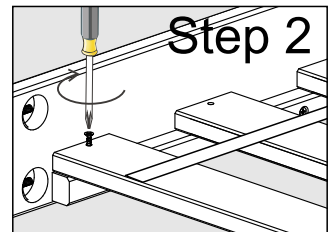
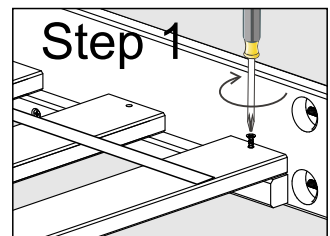
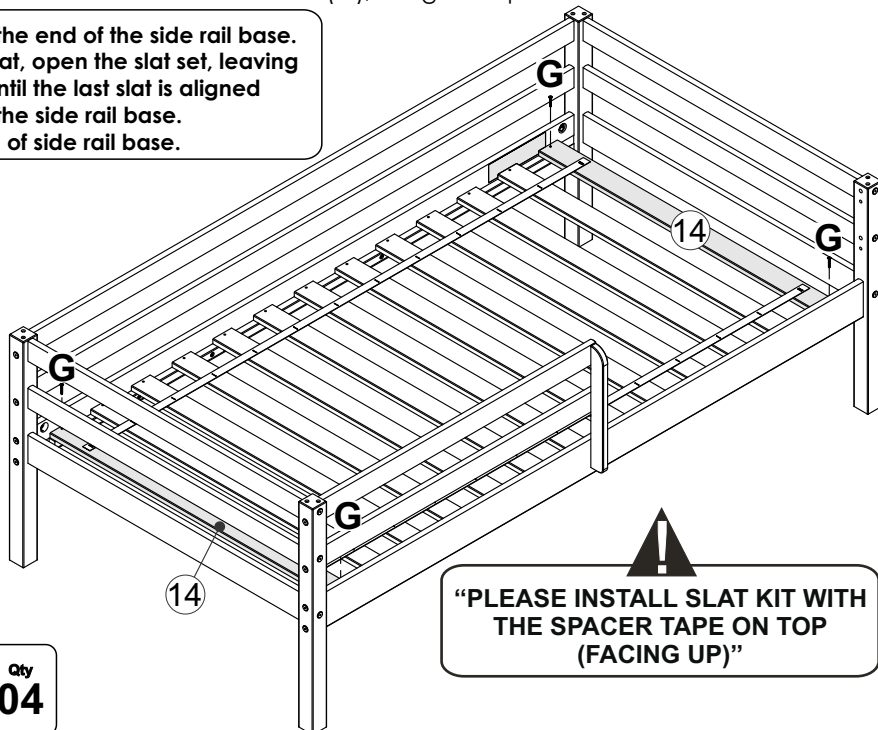
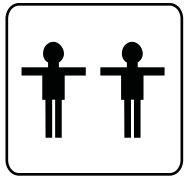
Step 14

Bed Slats

- 1) Attached the first slat to the end of the side rail base with 2 screws (G).
- 2) After attaching the first slat, open the slat set, leaving the tape stretched, until the last slat is aligned at the end of the side rail base.

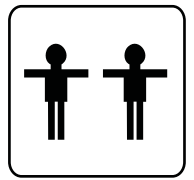
Attach to end of side rail base with other 2 screws (G), using 1 Philips Screwdriver.

Attached the first slat to the end of the side rail base. After attaching the first slat, open the slat set, leaving the tape stretched, until the last slat is aligned at the end of the side rail base. Attach to end of side rail base.



⚠️
"PLEASE INSTALL SLAT KIT WITH THE SPACER TAPE ON TOP (FACING UP)"

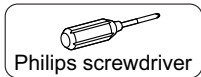
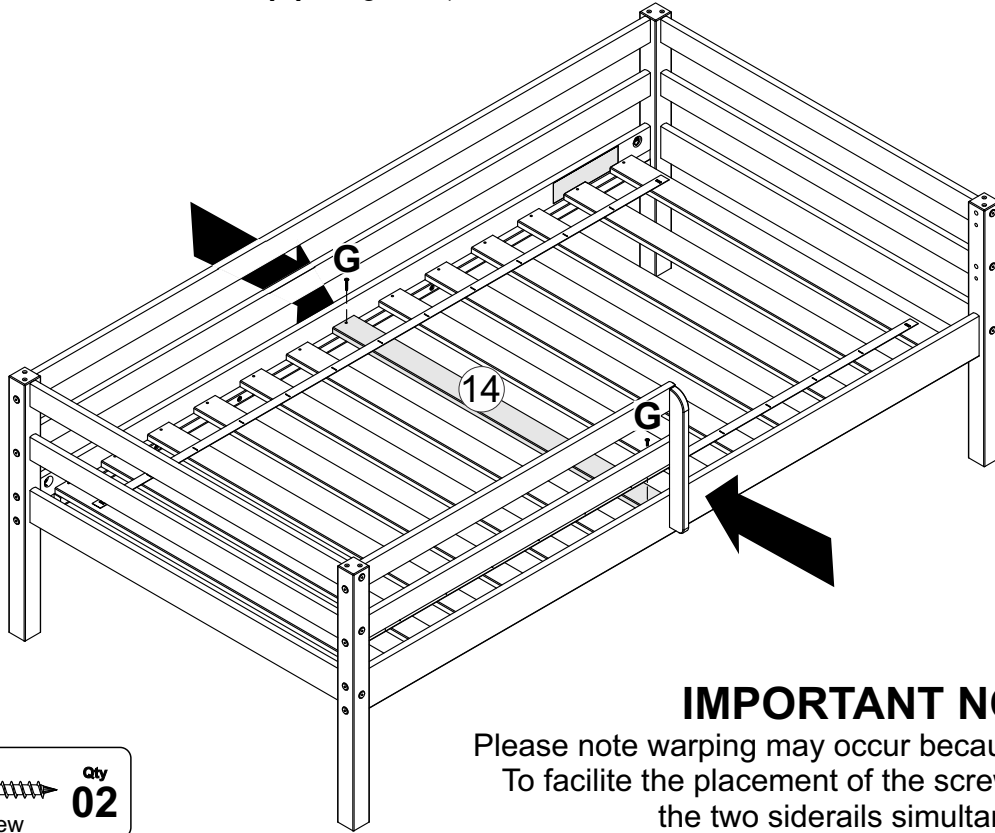
Assembly Instructions



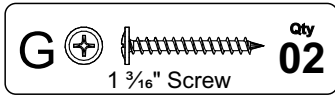
Step 15

Bed Slats

- 1) Please note warping may occur because it is natural wood. To facilitate the placement of the screws, you must press the two siderails simultaneously.
- 2) Attach the **center slat** with 2 screws (**G**), using 1 Philips screwdriver.



Philips screwdriver



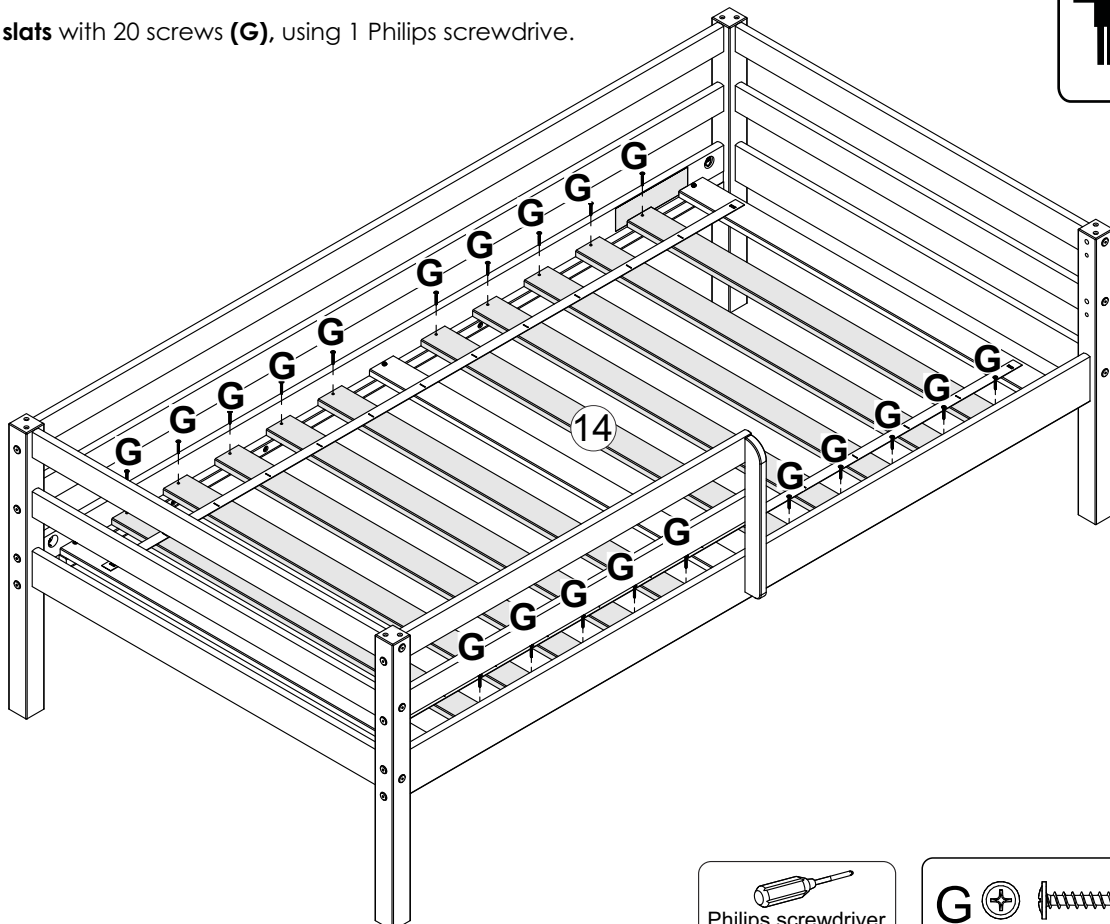
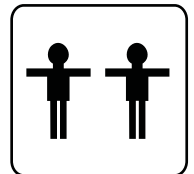
IMPORTANT NOTE

Please note warping may occur because it is natural wood. To facilitate the placement of the screws, you must press the two siderails simultaneously.

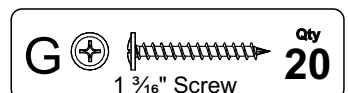
Step 16

Bed Slats

Attach the **others slats** with 20 screws (**G**), using 1 Philips screwdriver.



Philips screwdriver

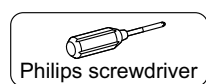
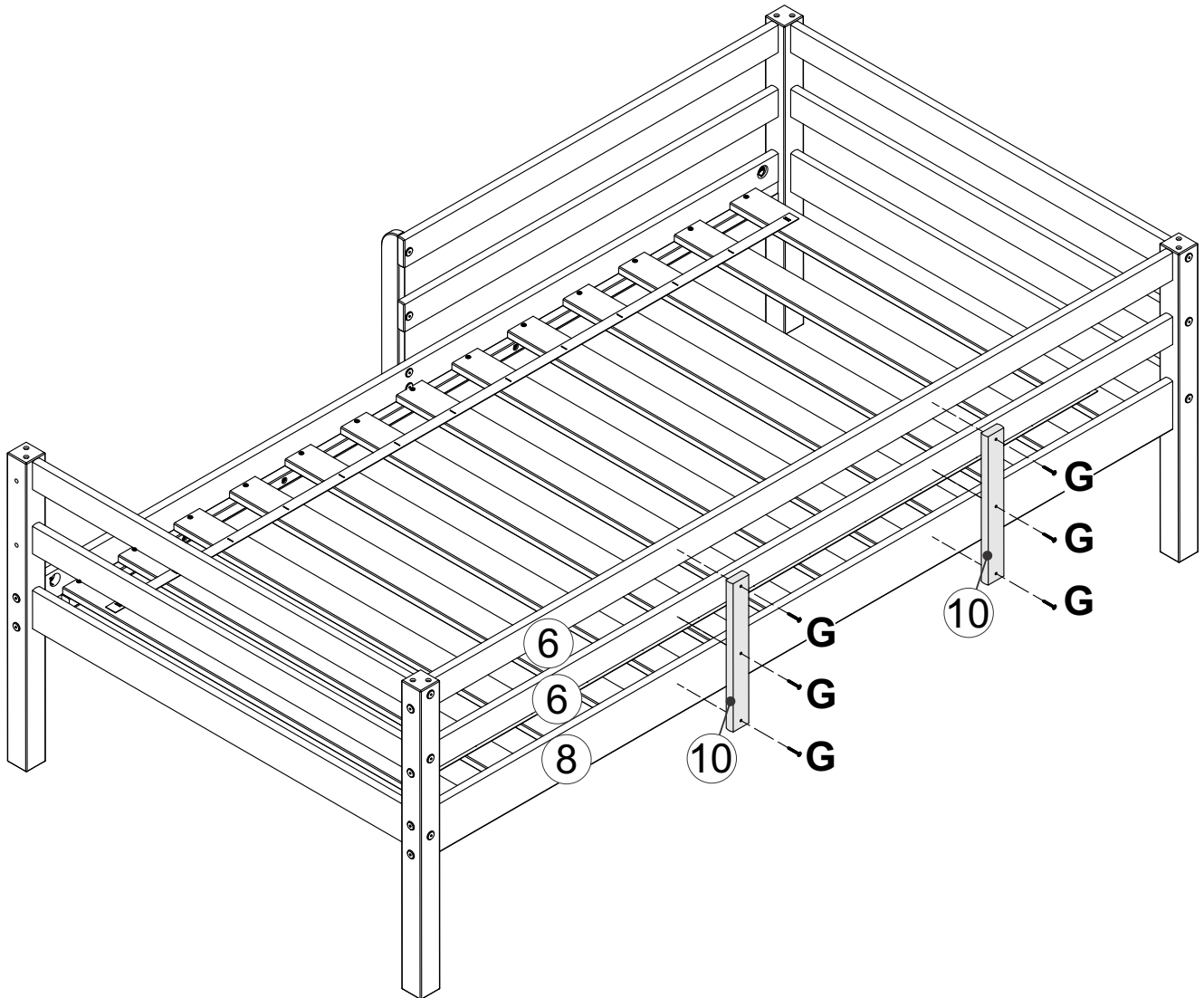
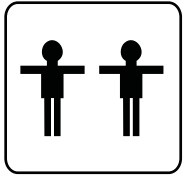


Assembly Instructions

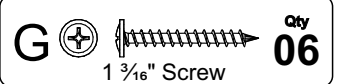
Step 17

Support

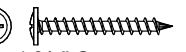
Attach parts **10** on to parts **6** and **8** with 6 screws (**G**), using Philips screwdriver.



Philips screwdriver



G



1 3/16" Screw

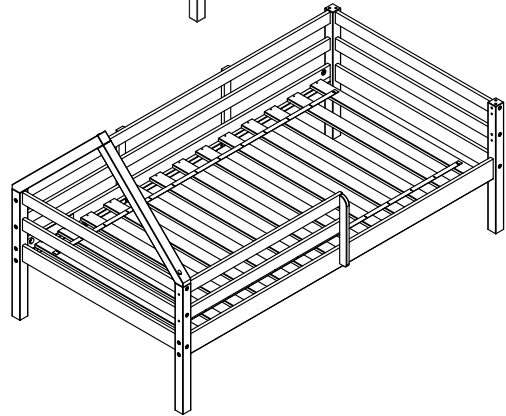
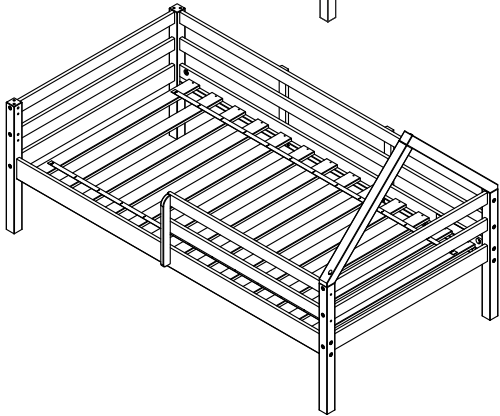
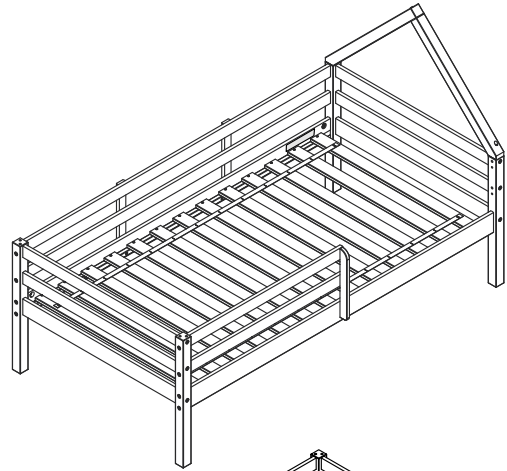
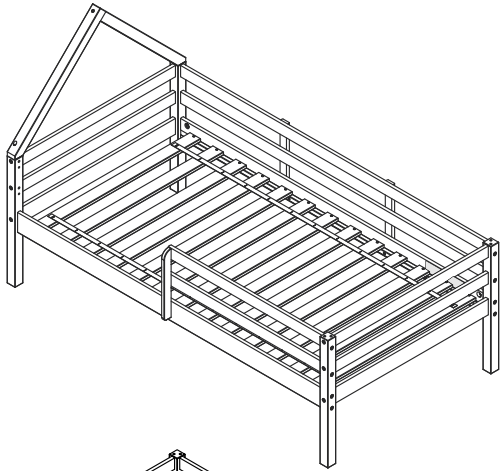
Qty
06

Assembly Instructions

OPTIONS TO ASSEMBLE THE ROOF STRUCTURE

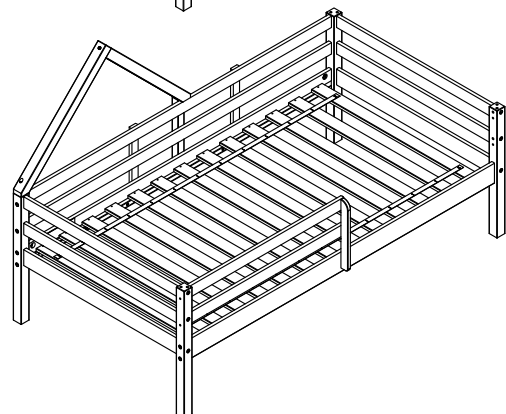
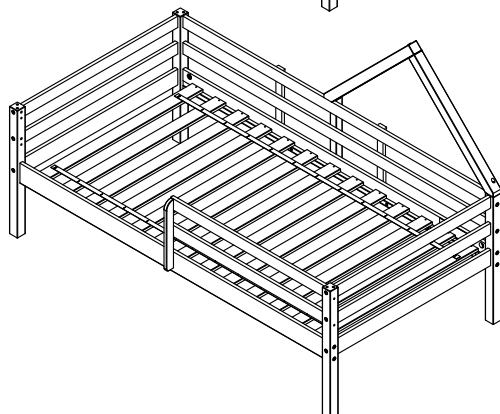
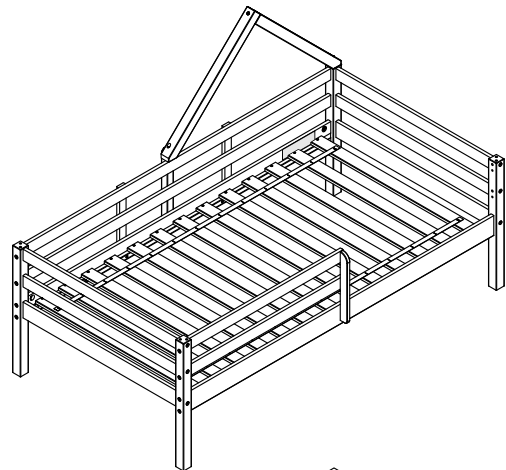
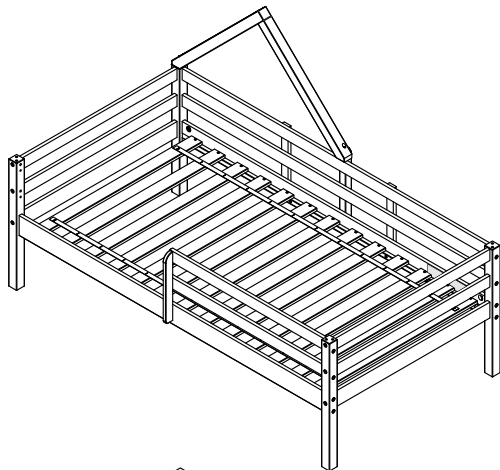
Roof as the Headboard or the Footboard

For this set up follow Steps 18 -19 only.

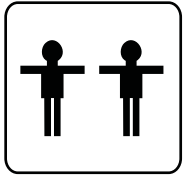


OR with Roof on one of the sides

For this set up, skip ahead and follow Steps 20 - 21.



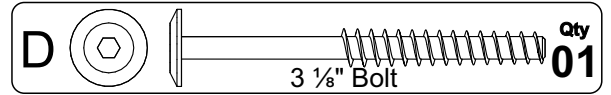
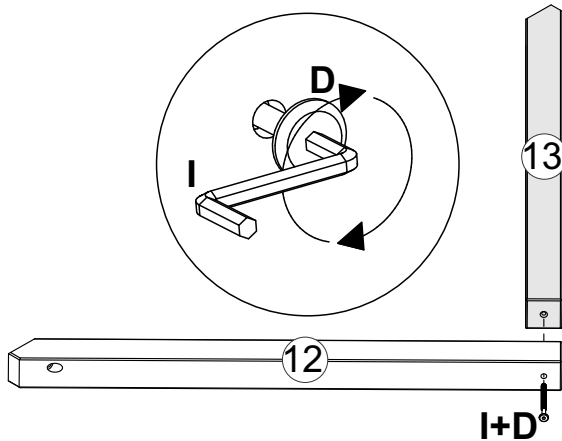
Assembly Instructions



Step 18

Roof (for Headboard/Footboard)

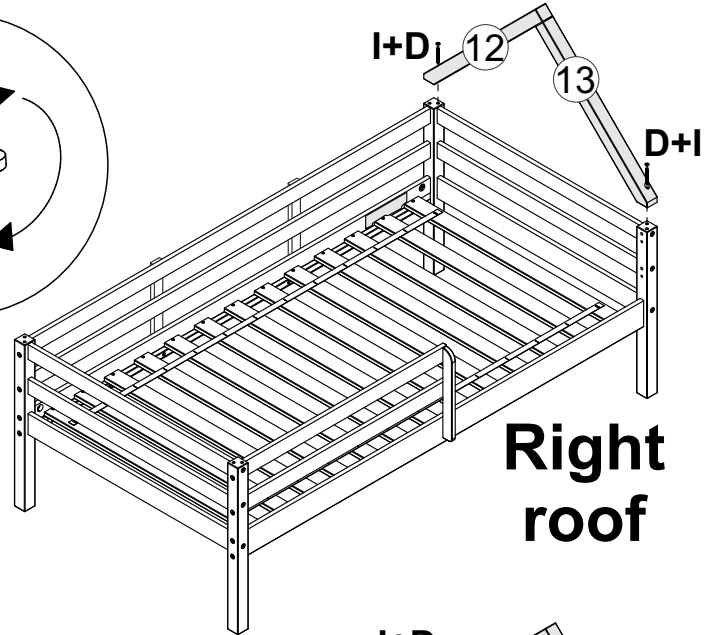
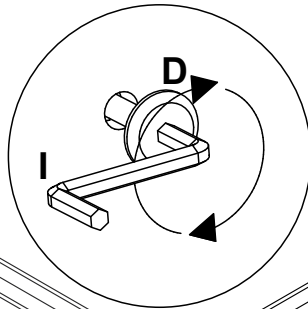
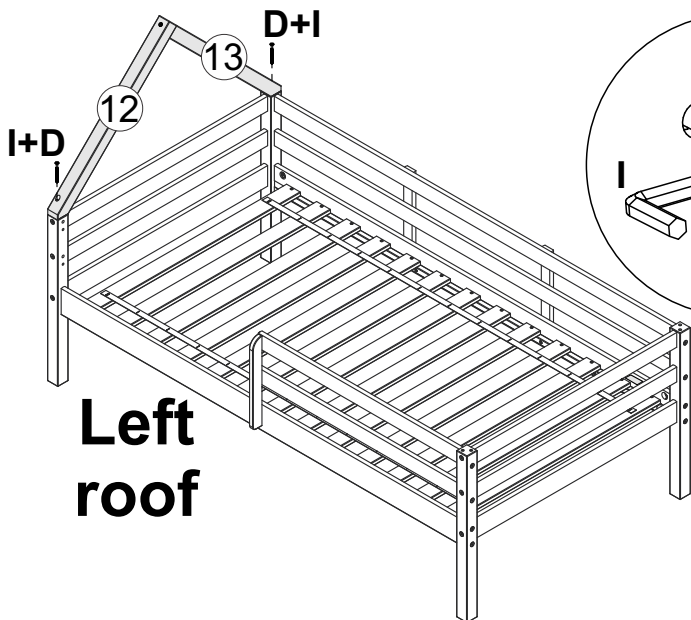
1) Attach part 12 on to part 13 with 1 bolt (D), using 1 Allen wrench (I).



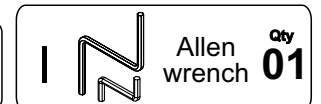
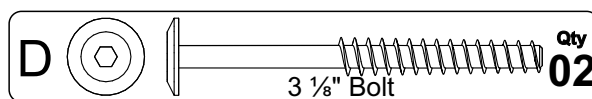
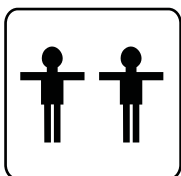
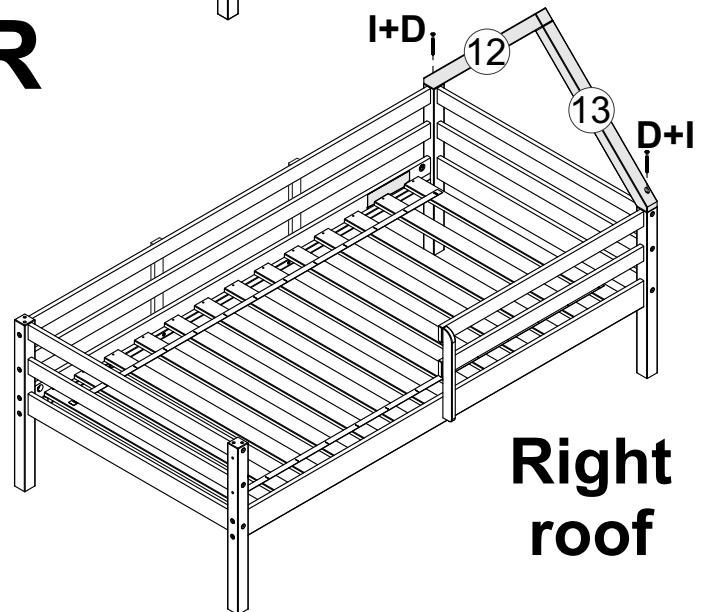
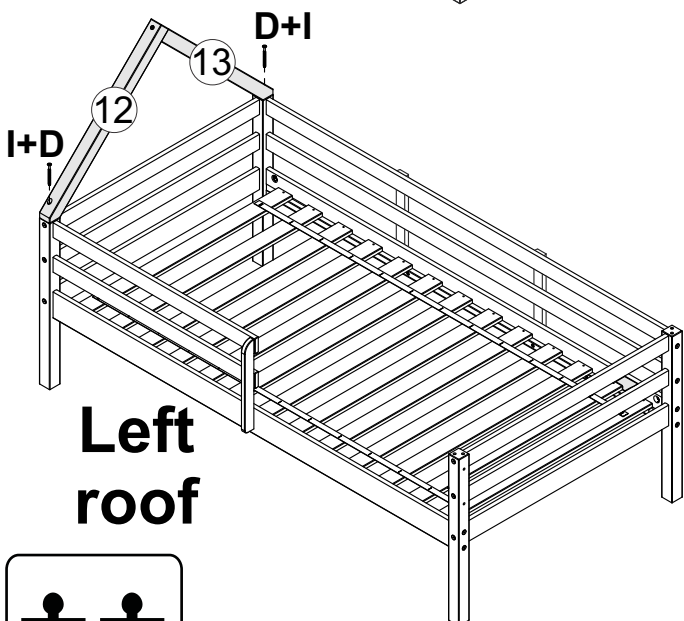
Step 19

Headboard/Footboard Roof

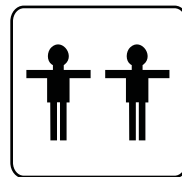
Attach the Roof on the top of Headboard or Footboard with 2 bolts (D), using 1 Allen wrench (I)



OR



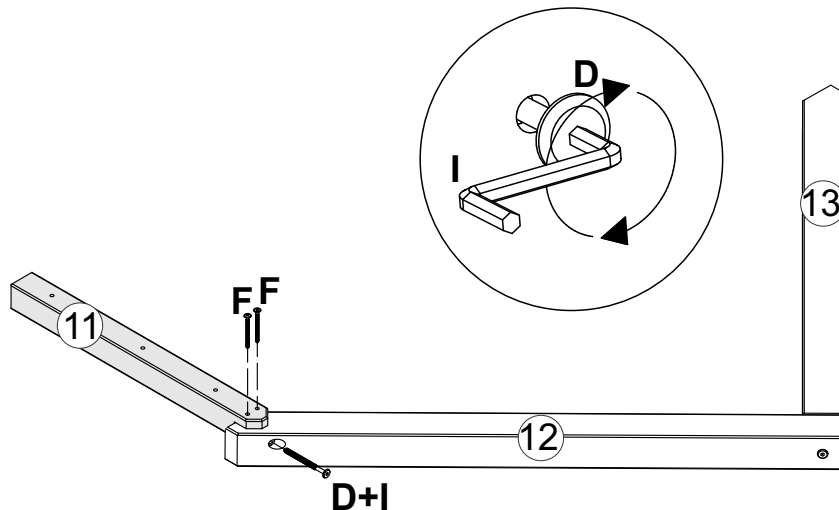
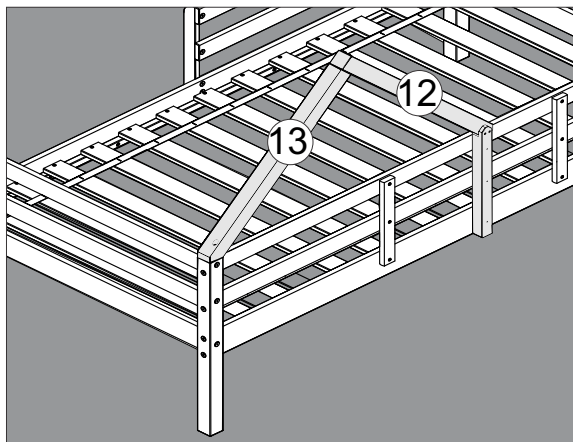
Assembly Instructions



Step 20

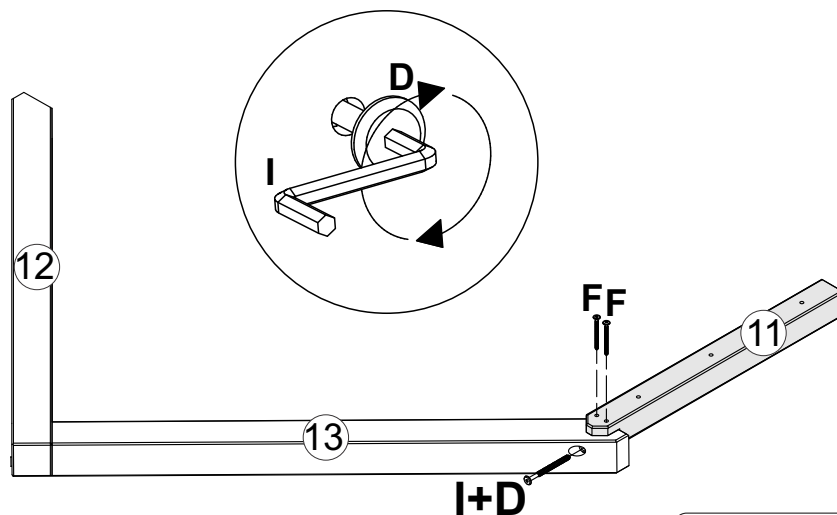
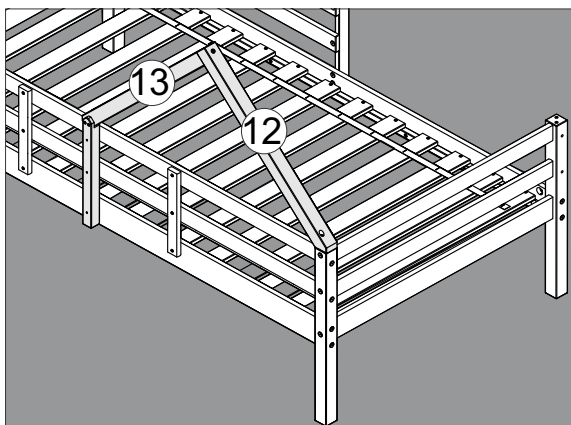
Roof support (for right back side)

- 1) Attach part **11** on to part **12** with 1 bolt (**D**), using 1 Allen wrench (**I**).
- 2) Attach 2 screws (**F**) on to part **11** using Philips screwdriver.

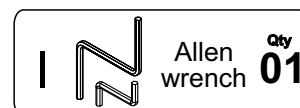
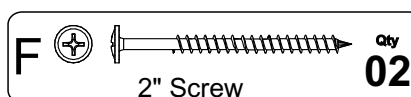
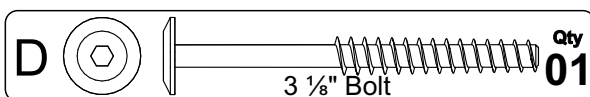


Roof support (for left back side)

- 1) Attach part **11** on to part **13** with 1 bolt (**D**), using 1 Allen wrench (**I**).
- 2) Attach 2 screws (**F**) on to part **11** using Philips screwdriver.

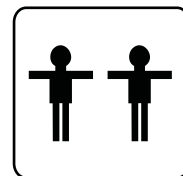


Philips screwdriver



Allen wrench Qty 01

Assembly Instructions



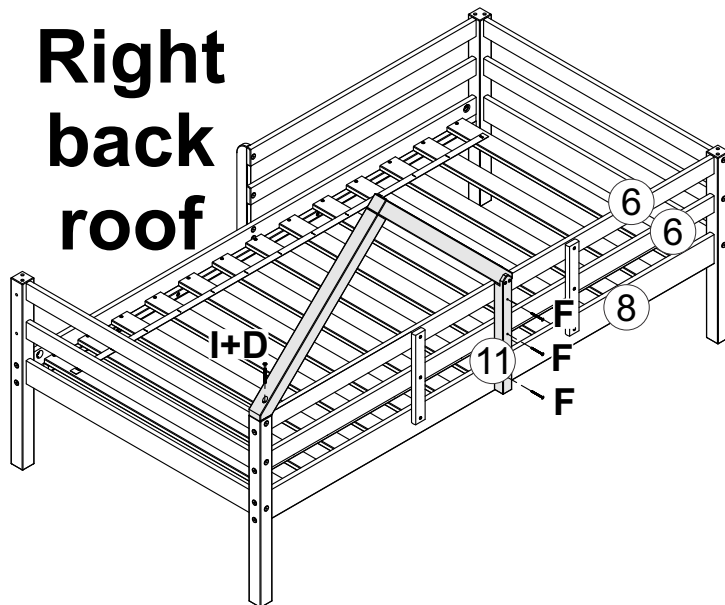
Step 21

Back Roof

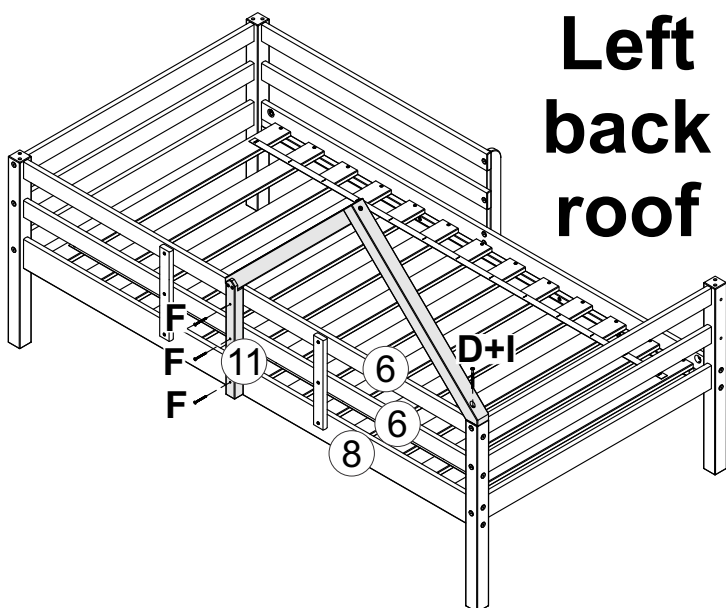
1) Attach **back roof** to **Headboard** or **Footboard** with 1 bolt (**D**), using 1 Allen wrench (**I**)

2) Attach part **11** to parts **6** and **8** with 3 Screws (**F**), using Philips screwdriver.

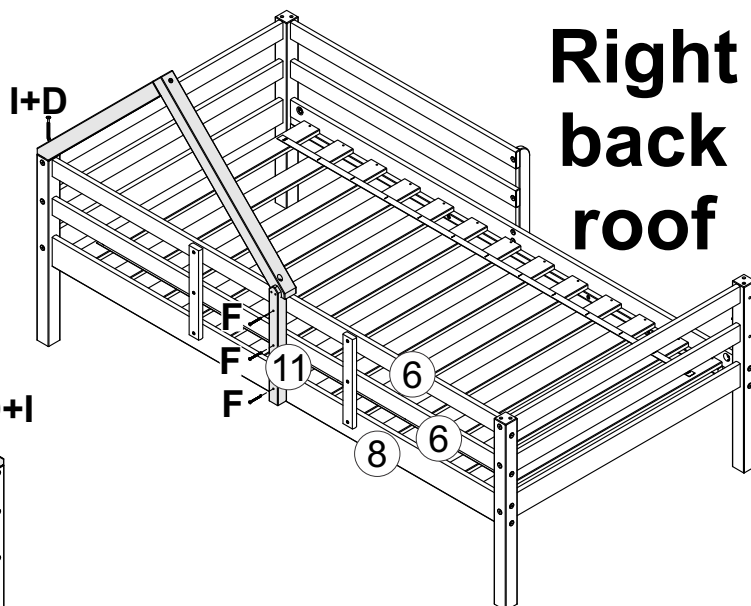
Right back roof



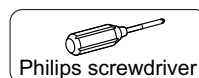
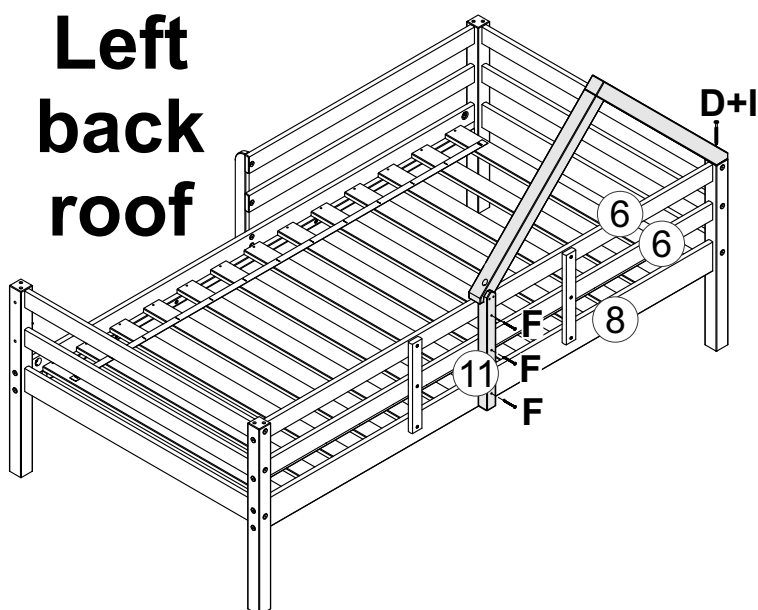
Left back roof



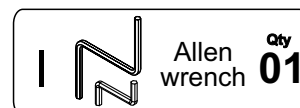
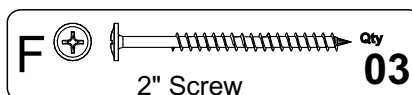
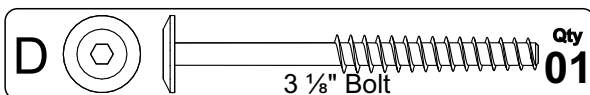
Right back roof



Left back roof



Philips screwdriver



Return Policy:

- For products purchased through our retail partners please contact them for resolution prior to contacting P'kolino.
- At P'kolino it is our commitment to improve play at home with products that are playfully-stylish and functionally-smart. That means, we want you and the child(ren) to love the way our products look and work. If within 10 days of receipt your product you are not satisfied you may return it for a refund of the merchandise value.
- Our products and packaging have been designed to withstand standard delivery methods, however, please inspect your product upon receipt for damage to the packaging as products damaged during shipping are subject to exchange or refund. If product has been visibly damaged it is recommended that you refuse the delivery by the carrier. Notify us of the shipment rejection and upon receipt of the rejected shipment we will send you a replacement at no charge.
- To return your product, contact the retailer your purchased your product from. For products with visible wear or that are not properly repackaged will incur a restocking fee of 10%. Please follow assembly, use and care instructions carefully as we will not accept returns on products damaged due to improper assembly, altered or modified products, or on items damaged from normal, excessive or unintended use. Return shipping expenses, unless otherwise specifically stated by P'kolino, will be the customers expense.
- If you have questions regarding our policy please contact us at customercare@pkolino.com or 888-403-8992.

Warranty:

- P'kolino products are guaranteed to be free from defects in material and workmanship under normal and intended use for a period of 30 days from the date of your purchase.

Replacement/Credit:

- If our product fails to meet our warranty during the warranty period, we will, at our option, replace the product or provide you with a replacement of comparable value.

What Our Limited Warranty Does Not Cover:

- We offer this limited warranty only when the product is used by the original end-user customer. We offer no other warranty. Additionally, while our warranty is excellent, there are other limits to it. We offer NO WARRANTY in cases of damage in transit, inadequate care, abuse, abnormal use, misuse, accidents, normal wear and tear, damage due to environmental or natural elements, failure to follow product instructions, immersion in water (except for products specifically identified by us in writing as intended for water use), or improper storage or maintenance of the products.

Limitation on Damages:

- IN NO EVENT SHALL P'KOLINO,LLC BE LIABLE FOR INCIDENTAL, COMPENSATORY, PUNITIVE, CONSEQUENTIAL, INDIRECT, SPECIAL OR OTHER DAMAGES. OUR AGGREGATE LIABILITY WITH RESPECT TO DEFECTIVE PRODUCTS IS LIMITED TO THE MONIES PAID TO US FOR THE DEFECTIVE GOOD.

Some states and countries do not allow the exclusion or limitation of incidental, consequential or other damages, so the above limitation or exclusion may not apply to you. This warranty gives you specific legal rights, and you may also have other rights which vary based on state, province or country.

Contact Information

Please feel free to contact us at the address listed below

P'kolino LLC • 7300 NW 35th Avenue • Miami, FL 33147 • USA

CARE AND MAINTENANCE:

MAINTENANCE:

- Our furniture is designed to be low maintenance, however misuse, irregular use, or improper assembly can result in product malfunction. Regularly check the stability. If pieces feel loose or wobbly tighten all screws immediately.
- To store, review Assembly Instructions and reverse the steps to disassemble.
- Use only provided hardware to assemble and maintain assembly.

CARE:

- To clean use a soft, lint free rag similar to a cloth diaper and wipe away dust regularly. If necessary dampen cloth slightly with warm water and gently rub away spots. Dry thoroughly.
 - Do not use a bleach solution.
 - Do not submerge or allow to lie in standing water.
 - Do not use a sponge or harsh abrasive.
 - Do not use all purpose cleaners or harsh detergents.
 - Do not use Pine Oil cleaners or abrasive household cleaners.
 - Do not use heat or hot water.

ABOUT WOOD AND FINISH:

This product has been carefully crafted of MDF, solid pine wood and/or pine veneers. These materials derive from plantations, a renewable and well managed forest, therefore, not endangering the environment. The highest quality standards have been implemented to assure a sturdy and reliable product. Due to the natural variances in the graining of wood, you may notice subtle differences in the shading and tone of the color stain, warp, holes, wood knots and also small cracks. This is not a defect. But rather a result of the natural beauty of the wood itself.

PLEASE REGISTER THIS PRODUCT AT: WWW.PKOLINO.COM/REGISTER

California 93120 compliant for formaldehyde Phase 2 TPC-AQCARB-03