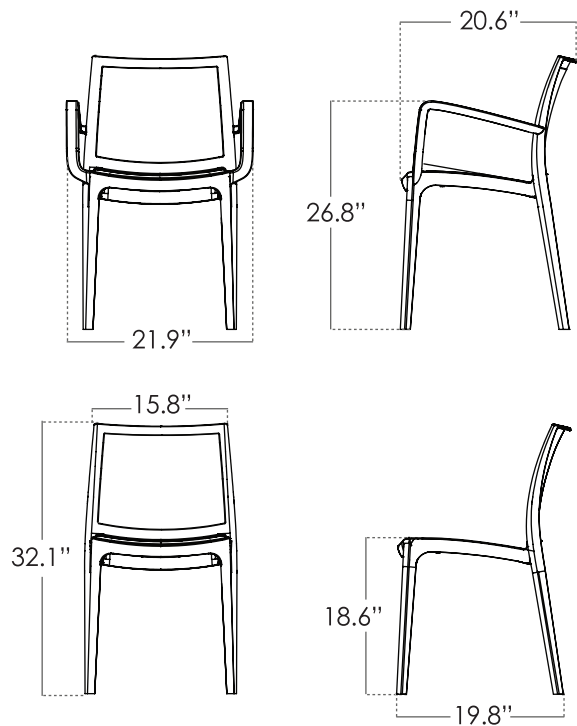


## P'kolino Luna Chair



### Technical Specifications

-Monoblock chair, made of polypropylene and glass fiber by gas assisted injection process, with UV additives level 8 for protection against ultraviolet rays and fastness to light.

-ANSI/BIFM A Standards:

- Stability Test - Front (BIFMA x5.1-11-12)
- Stability Test - Rear (BIFMA x5.1-11-12)
- Seating Durability Test (BIFMA x5.1-11-11)
- Backrest Durability Test (BIFMA x5.1-11-16)

-Weight:

- With arms: 8.2 lbs
- Armless: 6.8 lbs

-Load capacity: 330 lbs

### Cleaning and Maintenance

-Wipe the plastic parts with a piece of soft cloth, moistened with soap, then dry completely.

Do not clean with solvents (thinner, varsol, acetone, alcohol, waxes, silicones or powder detergents, or abrasives).

For more difficult stains, use OXYGENATED BIO-BLEED POWDER or SODIUM PEROXYCARBONATE diluted in water (20 grams per liter).



Stackable up to 9 pcs



For indoor and outdoor use

## Return Policy

At P'kolino it is our commitment to improve play at home with products that are playfully-stylish and functionally-smart. That means, we want you and the child(ren) to love the way our products look and work. If within 10 days of receipt or your product you are not satisfied you may return it for a refund of the merchandise value.

Our products and packaging have been designed to withstand standard delivery methods, however, please inspect your product upon receipt for damage to the packaging as products damaged during shipping are subject to exchange or refund. If product has been visibly damaged it is recommended that you refuse the delivery by the carrier. Notify us of the shipment rejection and upon receipt of the rejected shipment we will send you a replacement at no charge.

To return your product, contact us and we will issue a refund or replace the product. For products with visible wear or that are not properly repackaged there will be a restocking fee of 10%. Please follow assembly, use and care instructions carefully as we will not accept returns on products damaged due to improper assembly, altered or modified products, or on items damaged from normal, excessive or unintended use. Return shipping expenses, unless otherwise specifically stated by P'kolino, will be the customers expense.

If you have questions regarding our policy please contact us at [info@pkolino.com](mailto:info@pkolino.com) or 888-403-8992.  
For products purchased through our retail partners please contact them for resolution prior to contacting P'kolino.

## Warranty

P'kolino products are guaranteed to be free from defects in material and workmanship under normal and intended use for a period of 30 days from the date of your purchase.

### Replacement/Credit:

If our product fails to meet our warranty during the warranty period, we will, at our option, replace the product or provide you with a replacement of comparable value.

### What Our Limited Warranty Does Not Cover:

We offer this limited warranty only when the product is used by the original end-user customer. We offer no other warranty. Additionally, while our warranty is excellent, there are other limits to it. We offer NO WARRANTY in cases of damage in transit, inadequate care, abuse, abnormal use, misuse, accidents, normal wear and tear, damage due to environmental or natural elements, failure to follow product instructions, immersion in water (except for products specifically identified by us in writing as intended for water use), or improper storage or maintenance of the products.

### Limitation on Damages:

IN NO EVENT SHALL P'KOLINO, LLC BE LIABLE FOR INCIDENTAL, COMPENSATORY, PUNITIVE, CONSEQUENTIAL, INDIRECT, SPECIAL OR OTHER DAMAGES. OUR AGGREGATE LIABILITY WITH RESPECT TO DEFECTIVE PRODUCTS IS LIMITED TO THE MONIES PAID TO US FOR THE DEFECTIVE GOOD.

Some states and countries do not allow the exclusion or limitation of incidental, consequential or other damages, so the above limitation or exclusion may not apply to you. This warranty gives you specific legal rights, and you may also have other rights which vary based on state, province or country.

### Contact Information

Please feel free to contact us at the address listed below

P'kolino LLC  
7300 NW 35th Ave  
Miami, FL 33147, USA

P'kolino products meet or exceed US, EU, and Canadian safety standards. REG. NO. PA-27620 (CN)

P'kolino (pee-ko-lee-no) © 2019 P'kolino, LLC. All Rights Reserved. All New Materials: polypropylene plastic and beech wood. Made in China.

Questions or comments? Please email: [customercare@pkolino.com](mailto:customercare@pkolino.com) Or write to: P'kolino Studio • 7300 NW 35th Ave • Miami, FL 33147, USA. Oct 2019