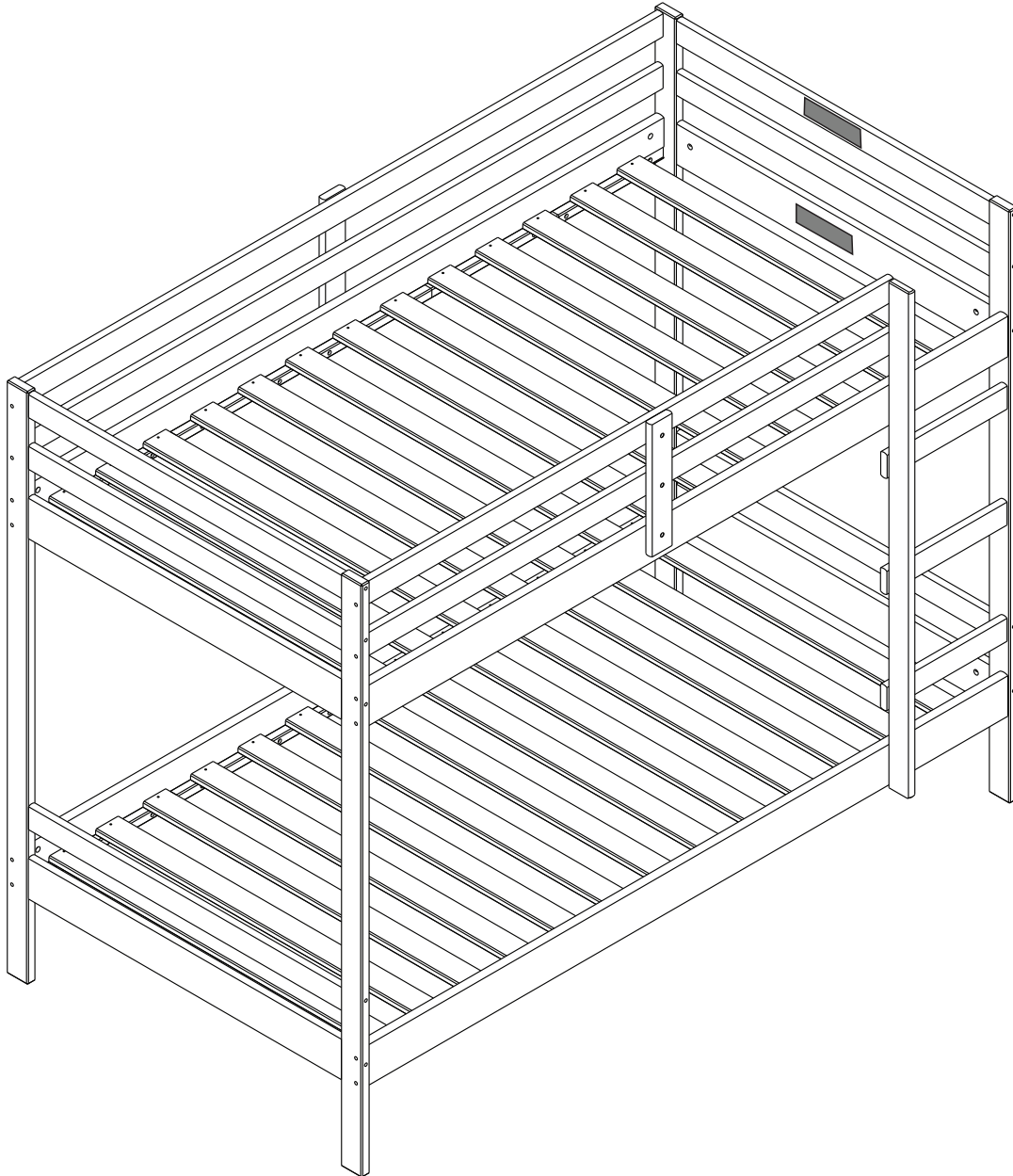




P'kolino Letto Bunk Bed



**READ ALL INSTRUCTIONS BEFORE ASSEMBLING BUNK BED.
KEEP INSTRUCTIONS FOR FUTURE USE.
THE ASSEMBLY OF THIS PRODUCT REQUIRES TWO ADULTS.**

P'kolino products meet or exceed US, EU, and Canadian safety standards.

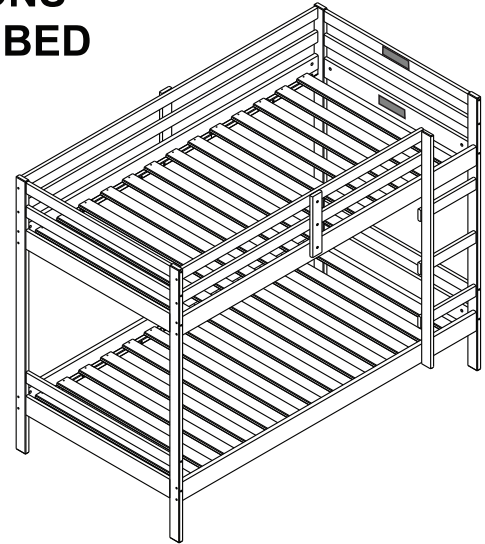
P'kolino (pee-ko-lee-no) © 2018 P'kolino, LLC. All Rights Reserved. All New Materials: Pine Wood. Non toxic. Made in Brazil.

Questions or comments? Please email: customer@pkolino.com Or write to: P'kolino Studio • 7300 NW 35th Ave • Miami, FL 33147, USA. April 2018

ASSEMBLY INSTRUCTIONS

LETTO TWIN TWIN BUNK BED

Thank you for purchasing this quality product.
Be sure to check all packing materials carefully
For small parts which may have come loose
Inside the carton during shipment. Separate,
Identify and count all parts and hardware.
Compare with the parts to be sure all parts
Are present.



**“DO NOT TIGHTEN SCREWS
UNTIL COMPLETELY ASSEMBLED”**

SIZE OF MATTRESS AND FOUNDATION (SUPPORT)

This bed is designed to use a twin mattress (37 ½ - 38 1/5” x 74”). The thickness of the mattress must not exceed 7 ½ inches.

Note: There must be at least 5 inches from top surface of mattress to top edge of guardrails.

REPLACEMENT PARTS.

Replacement parts, including additional guardrails, may be obtained from place of purchase or original distributor.

SAFETY WARNINGS!

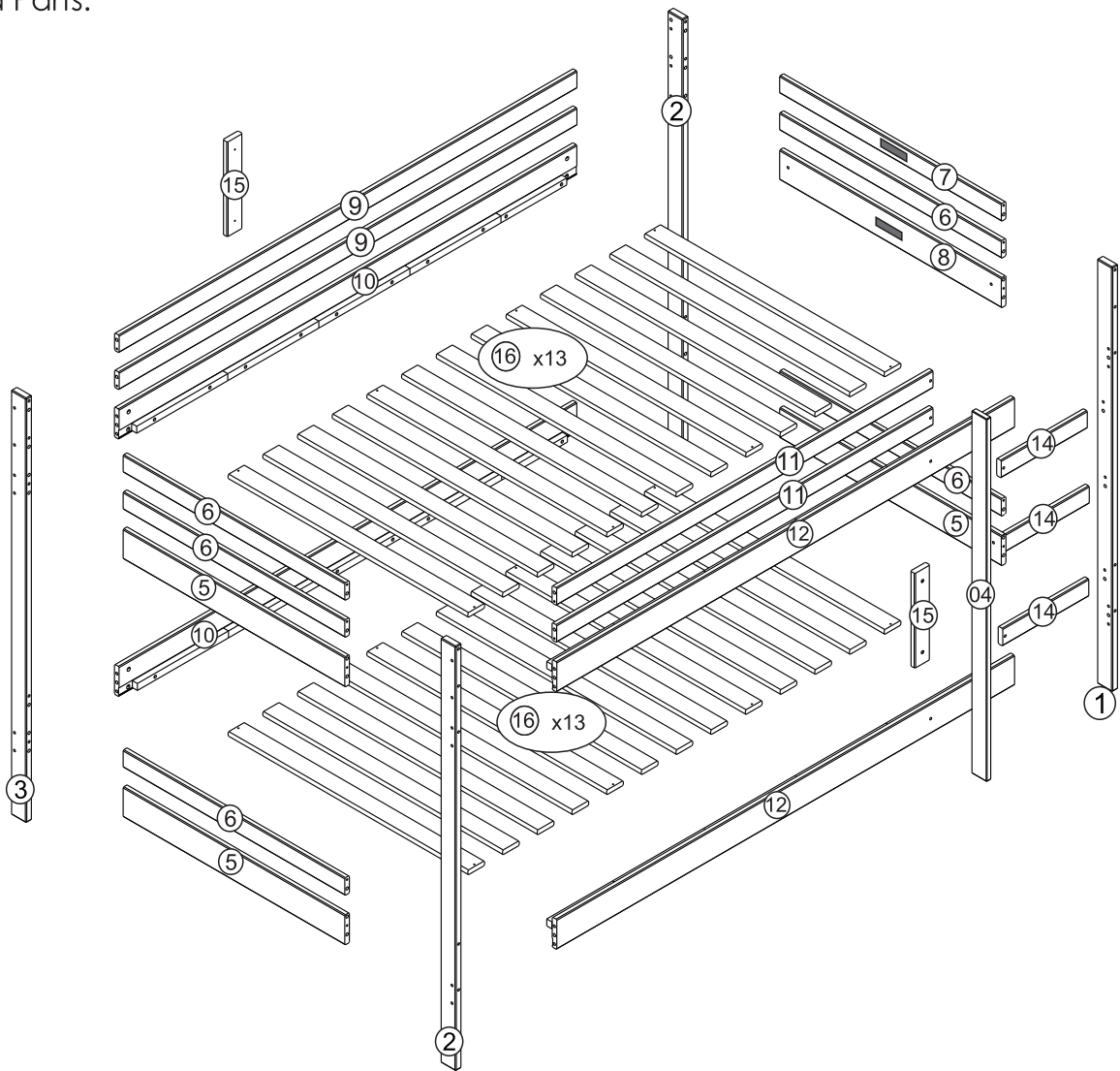
- 1 - Follow the information on the warning label appearing on the upper bunk end structure and on the carton. Do not remove warning label from bed.
- 2 - Always use the recommended size mattress or mattress support, or both, to help prevent the likelihood of entrapment or falls.
- 3 - Surface of mattress must be at least 5 inches below the upper edge of guardrails.
- 4 - Do not allow children under 6 years of age to use the upper bunk.
- 5 - Prohibit more than one person on upper bunk.
- 6 – Periodically check and ensure that the guardrail, ladder and other components are in their proper position, free from damage, and that all connectors are tight.
- 7 - Do not allow horseplay on or under the bed and prohibit jumping on the bed.
- 8 - Always use the ladder for entering and leaving the upper bunk.
- 9 - Do not use substitute parts. Contact manufacturer or dealer for replacement parts.
- 10 - Use of a night light may provide added safety precaution for a child using the upper bunk.
- 11- If the bunk bed will be placed next to a wall, the guardrail that runs the full length of the bed be placed against the wall to prevent entrapment between the bed and the wall.
- 12 - Always use guard rails on both long sides of the upper bunk.
- 13 - The use of water or sleep flotation mattresses is prohibited.
- 14 - Keep these instructions for future reference.
- 15 - Strangulation Hazard – Never attach or hang items to any part of the bunk bed that are not designed for use with the bed: for example, but limited to, hooks, belts, and jump ropes, etc.

IMPORTANT: PLEASE READ INSTRUCTIONS BEFORE STARTING THE ASSEMBLY

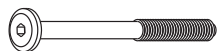


This Box Contains:

Bunk Bed Parts:



Hardware:



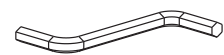
16 - 1/4x70x17 (A)



24 - 1/4 Half Moon (B)



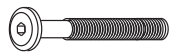
12 - 7x100x17 (C)



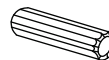
1 - Allen wrench (D)



58 - 4.0x30 (E)



16 - 7x60x17 (F)



45 - 10x40 wooden dowels (G)



8 - 1/4x110x17 (H)



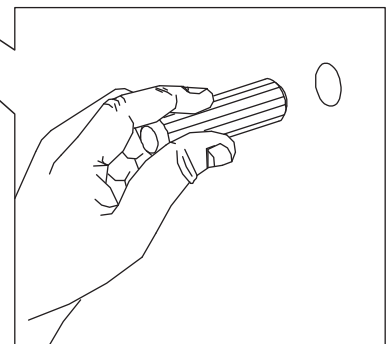
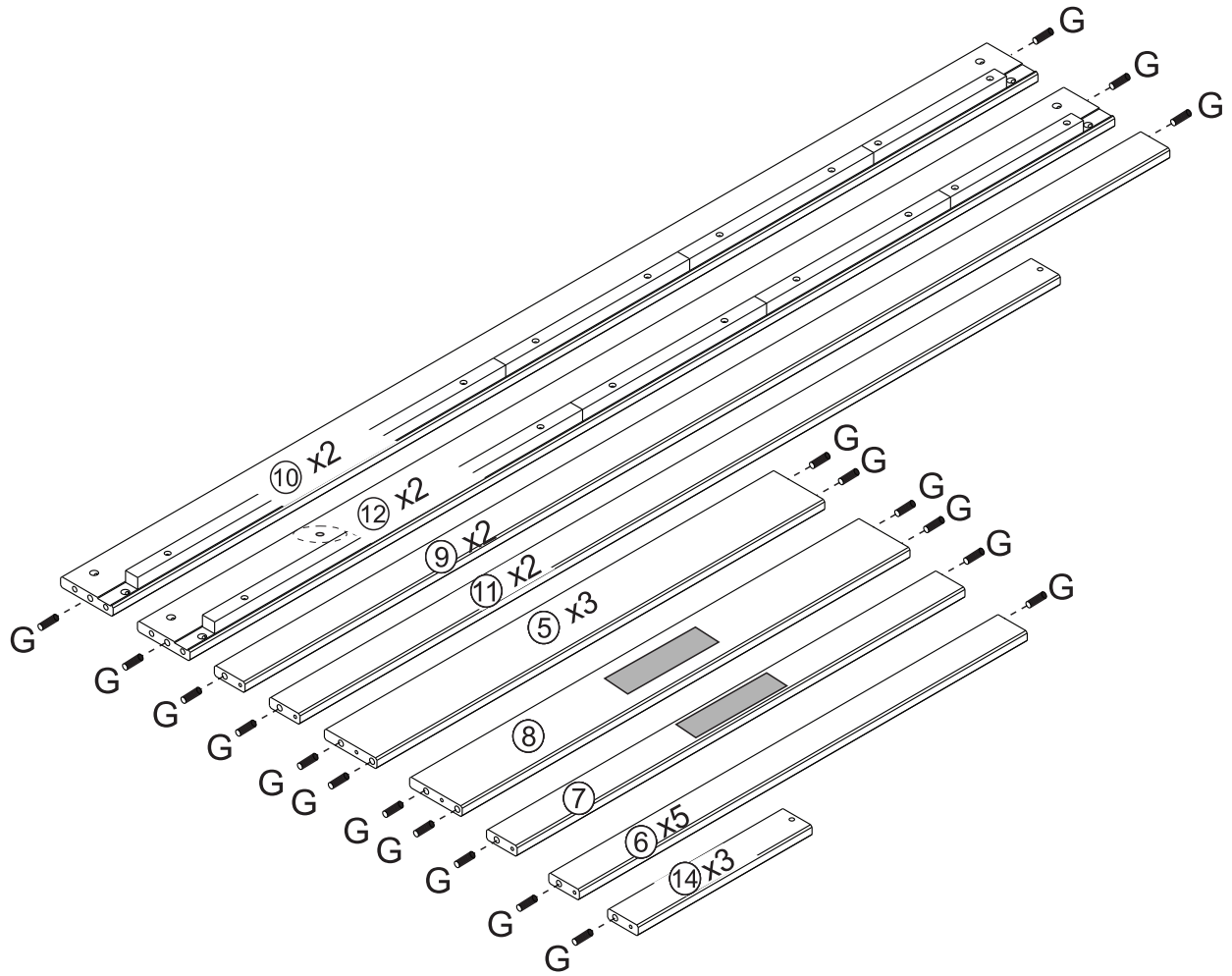
2 - Spacer Slats 7.1 cm (I)

You will need a Phillips head screw driver

Assembly Instructions

THE USE OF POWER TOOLS IS NOT RECOMMENDED BECAUSE THEY CAN DAMAGE HARDWARE AND/OR SPLIT THE WOOD.

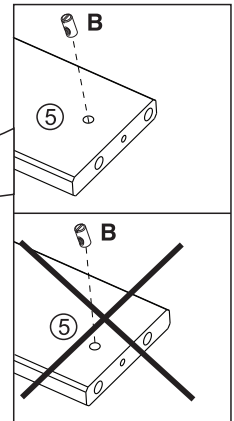
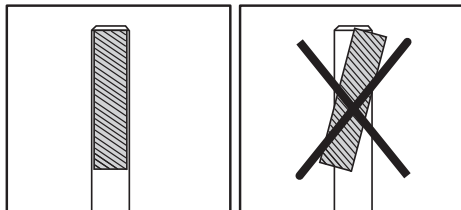
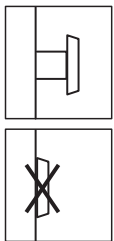
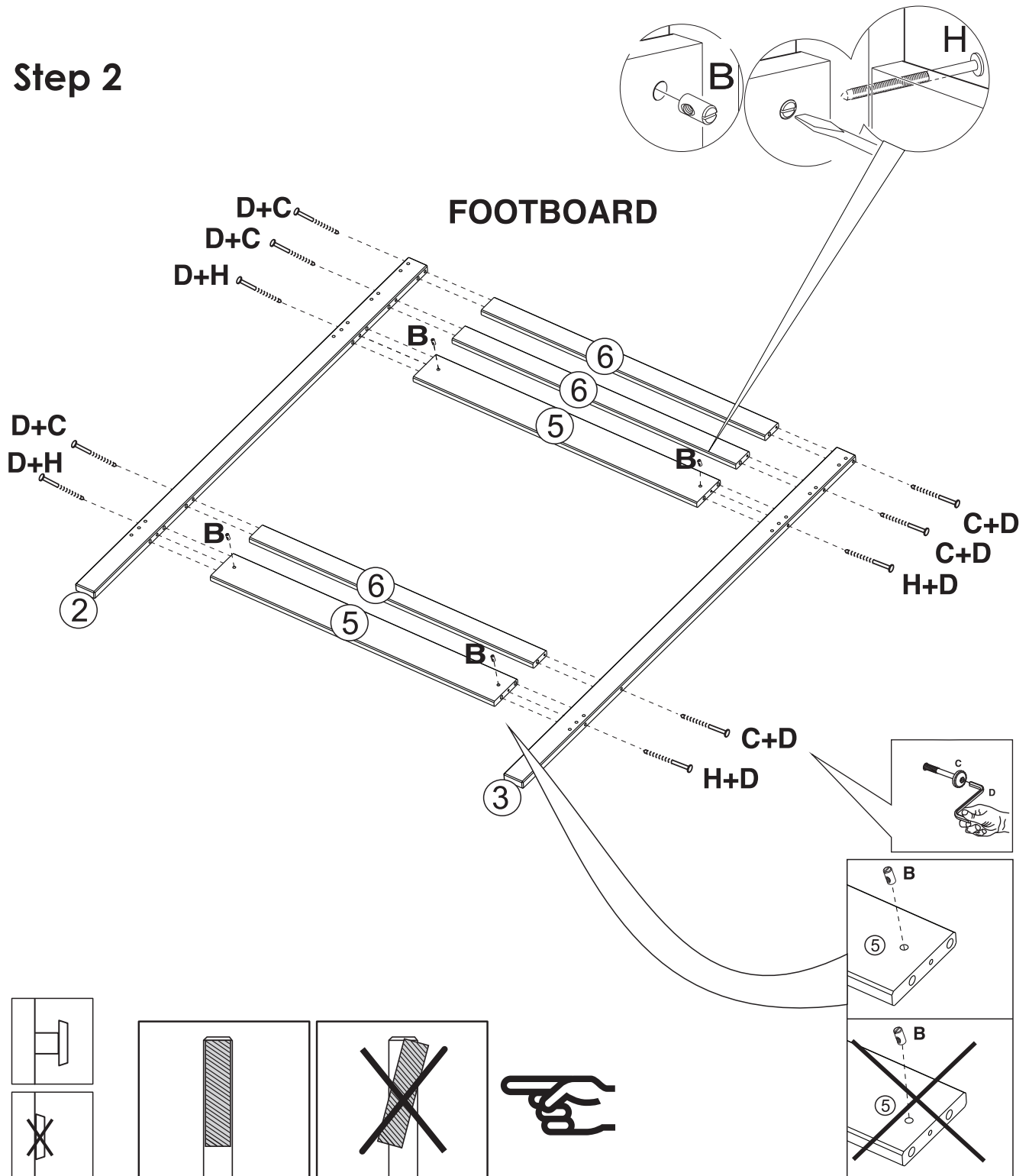
Step 1



45 - 10x40 wooden dowels (G)

Assembly Instructions

Step 2



4 - 1/4 Half Moon (B)



6 - 7x100x17 (C)



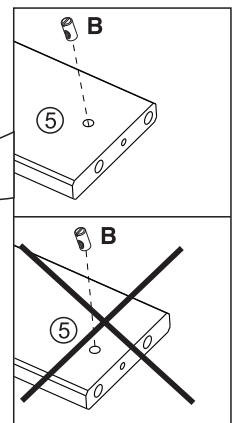
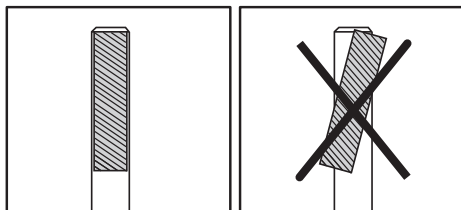
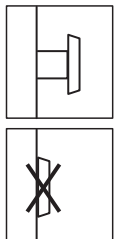
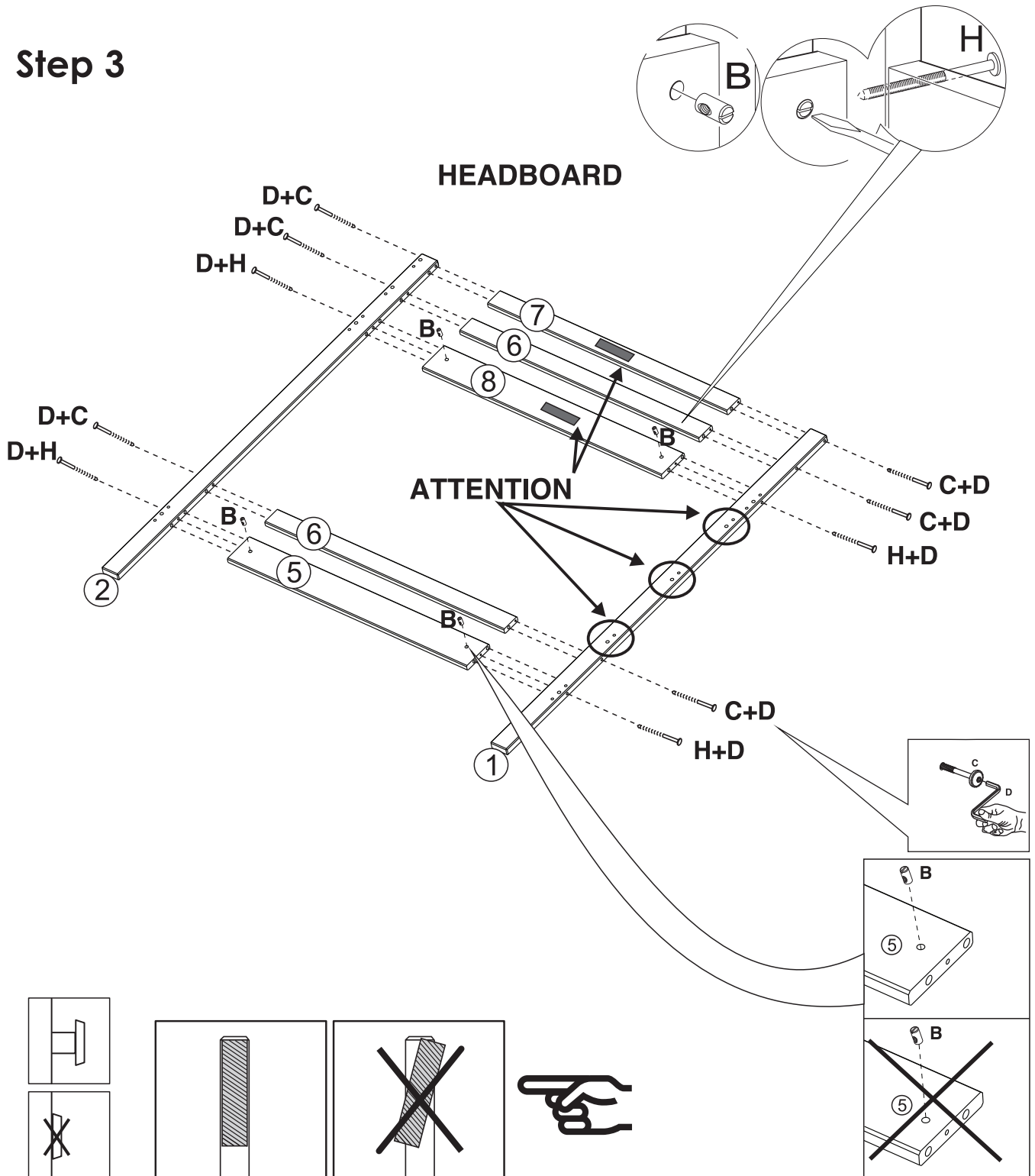
1 - Allen wrench (D)



4 - 1/4x110x17 (H)

Assembly Instructions

Step 3



4 - 1/4 Half Moon (B)



6 - 7x100x17 (C)



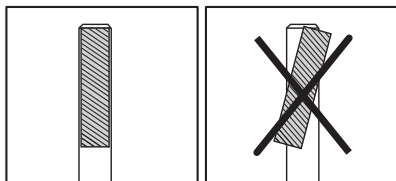
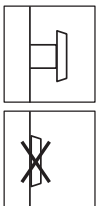
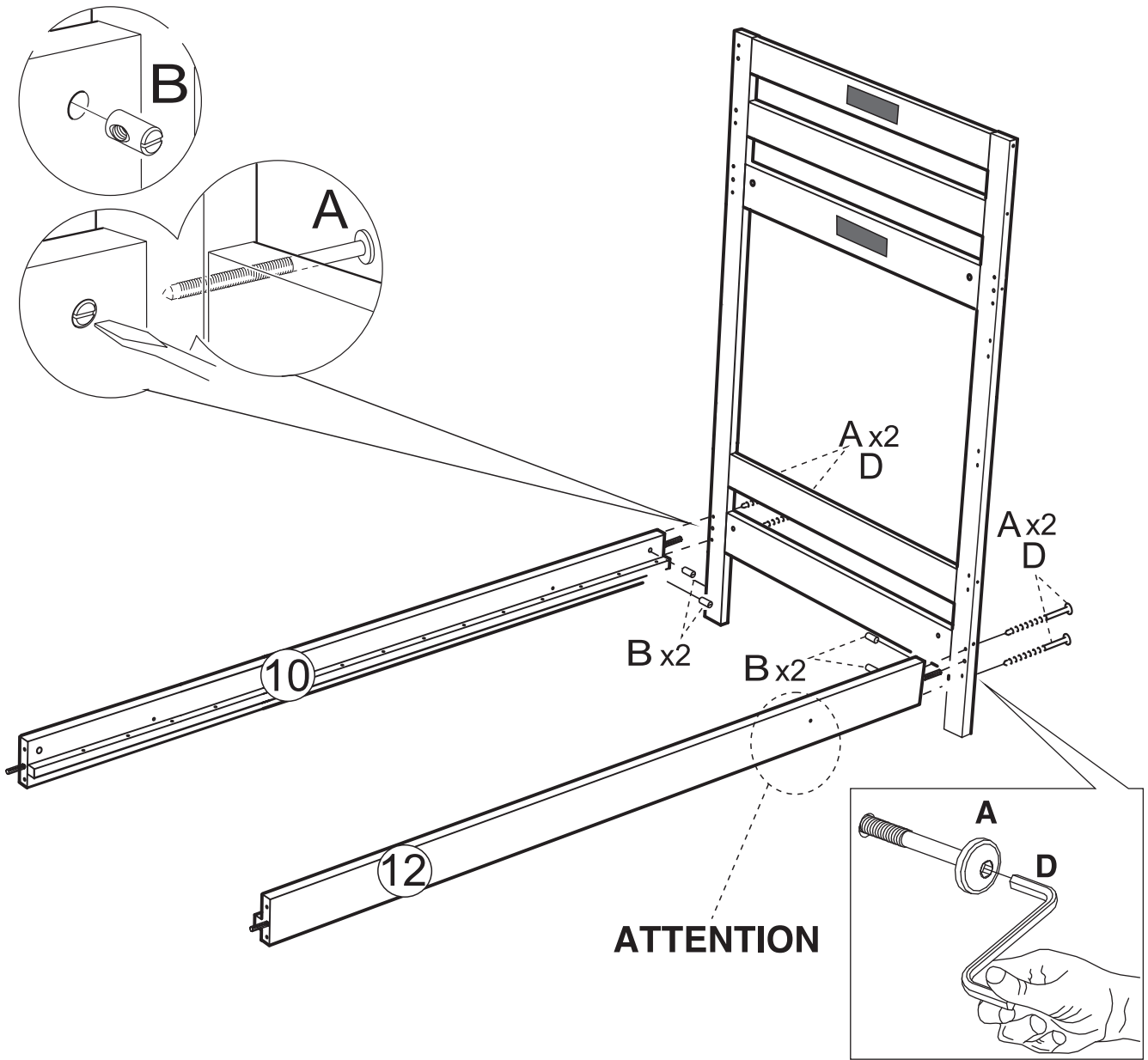
1 - Allen wrench (D)



4 - 1/4x110x17 (H)

Assembly Instructions

Step 4



4 - 1/4x70x17 (A)



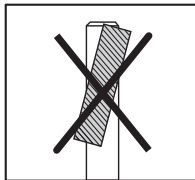
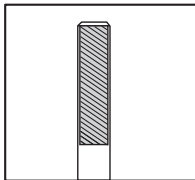
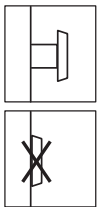
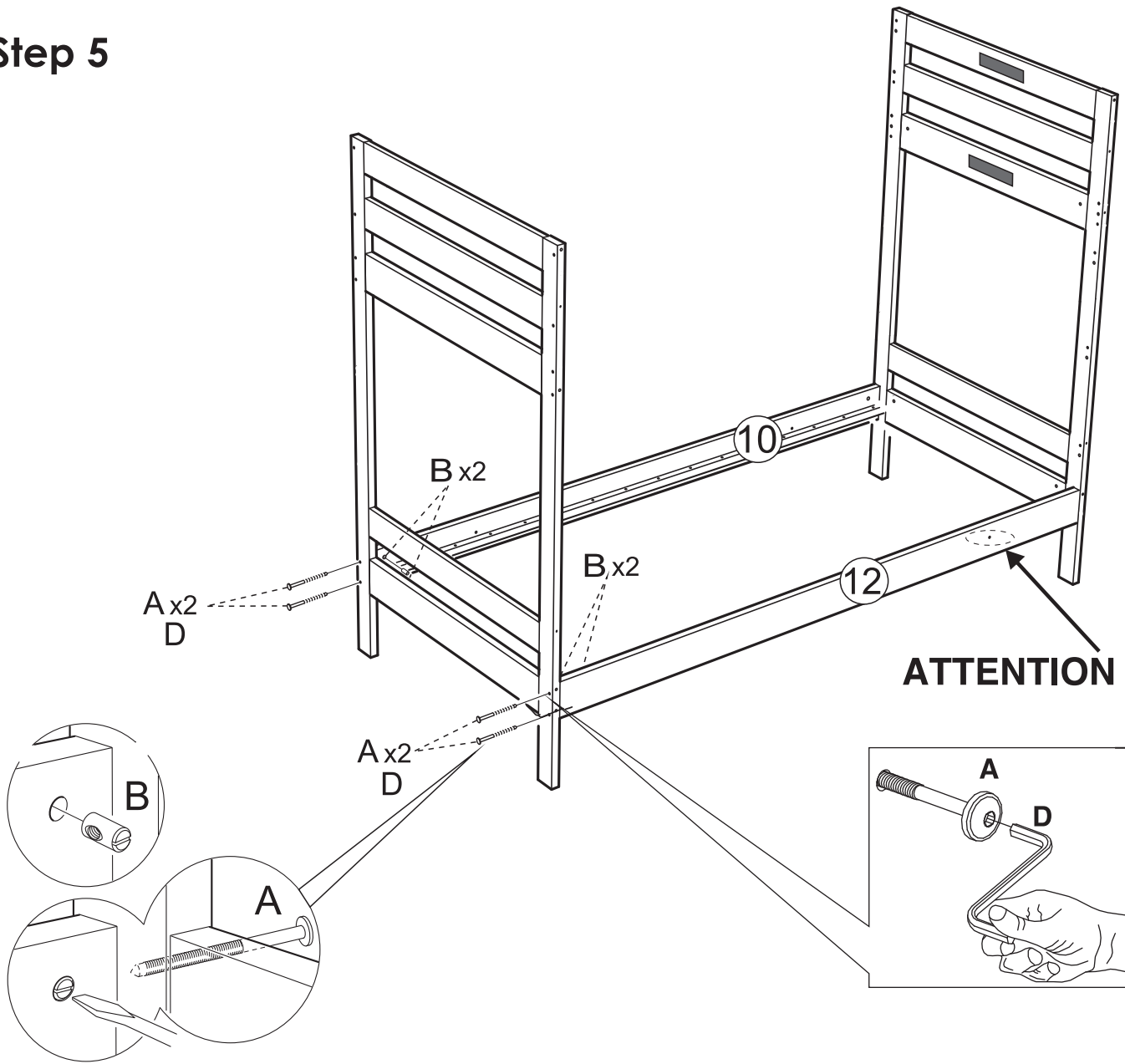
4 - 1/4 Half Moon (B)



1 - Allen wrench (D)

Assembly Instructions

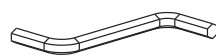
Step 5



4 - 1/4x70x17 (A)



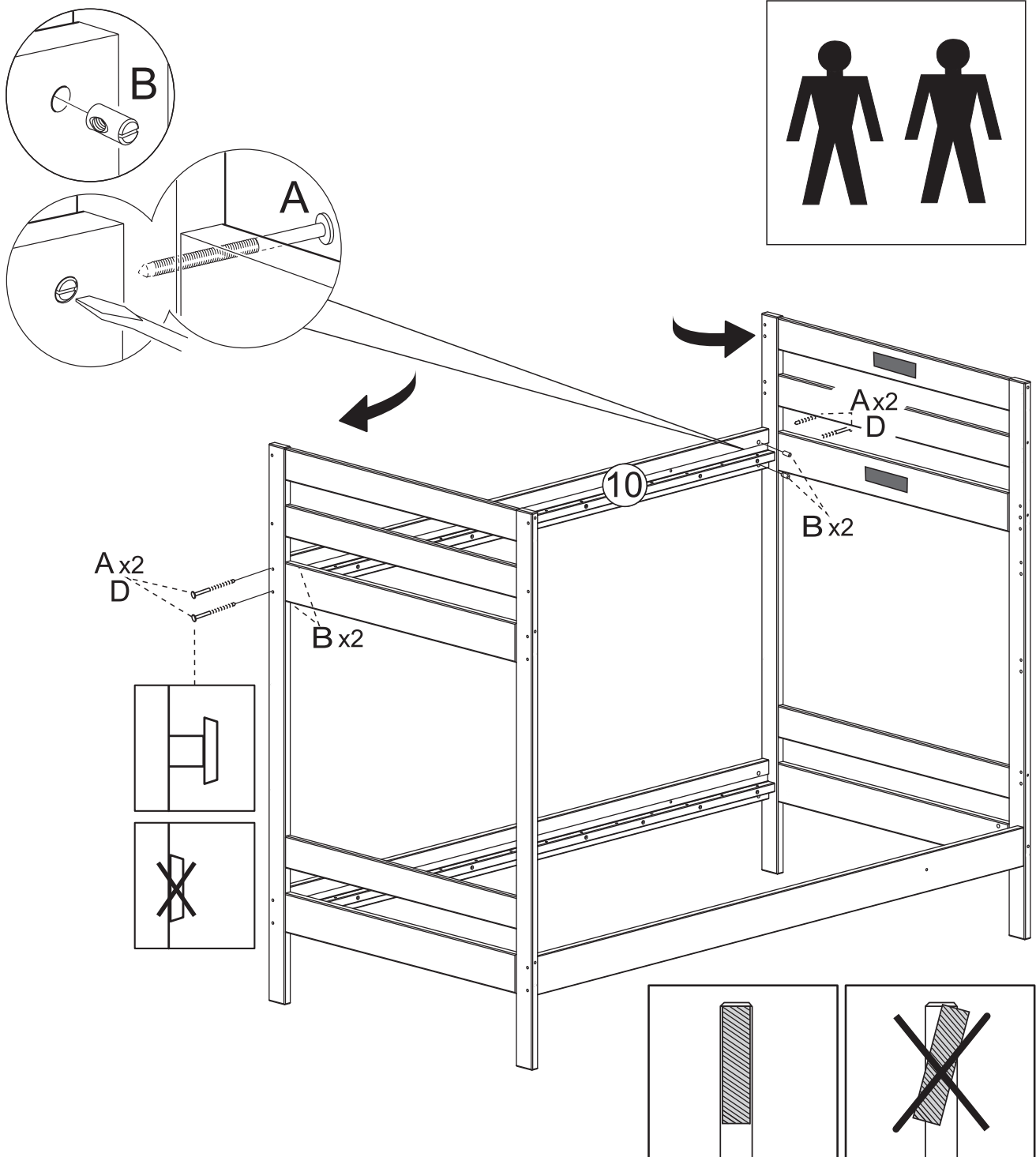
4 - 1/4 Half Moon (B)



1 - Allen wrench (D)

Assembly Instructions

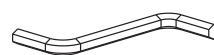
Step 6



4 - 1/4x70x17 (A)



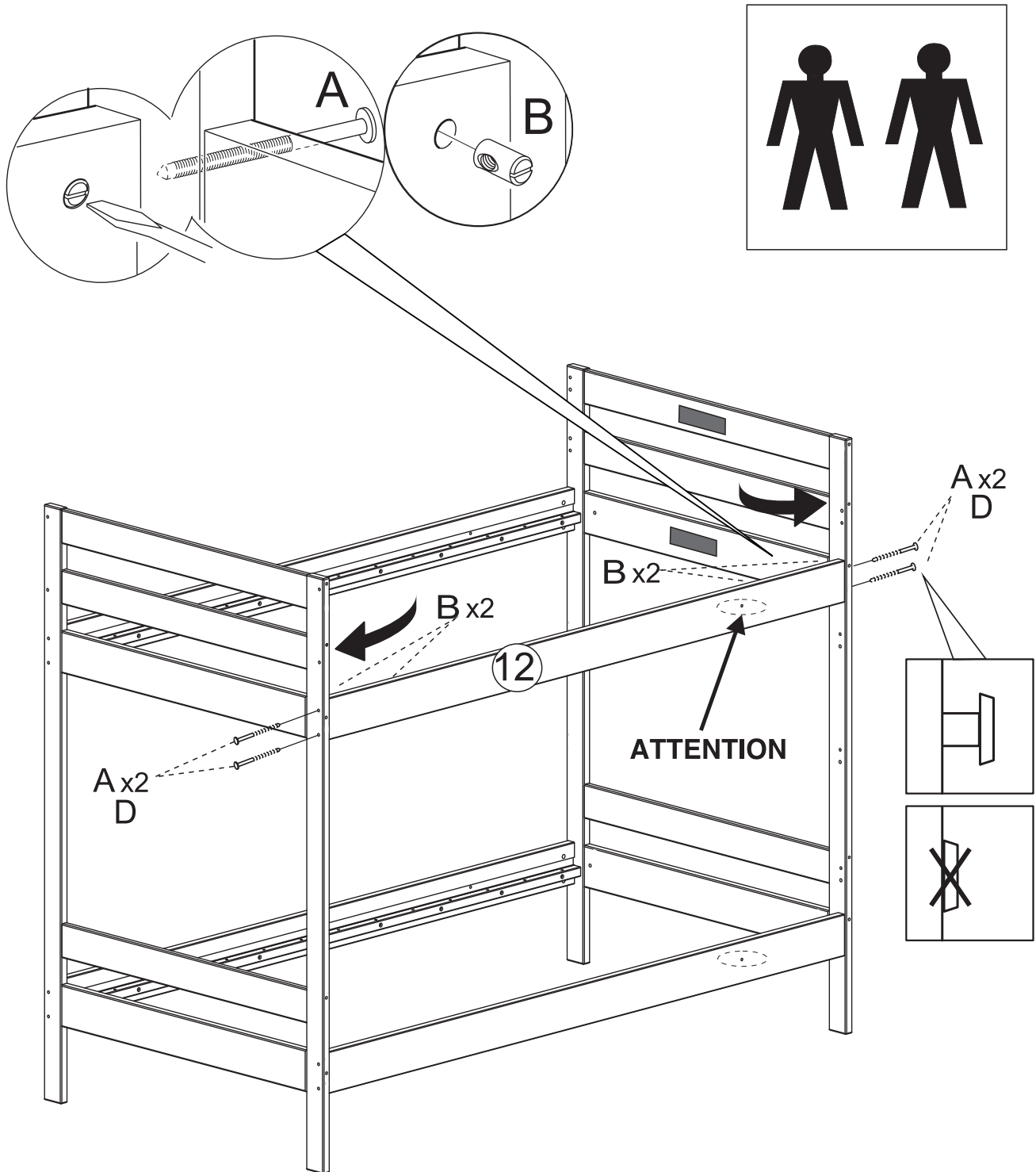
4 - 1/4 Half Moon (B)



1 - Allen wrench (D)

Assembly Instructions

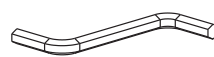
Step 7



4 - 1/4x70x17 (A)



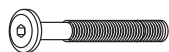
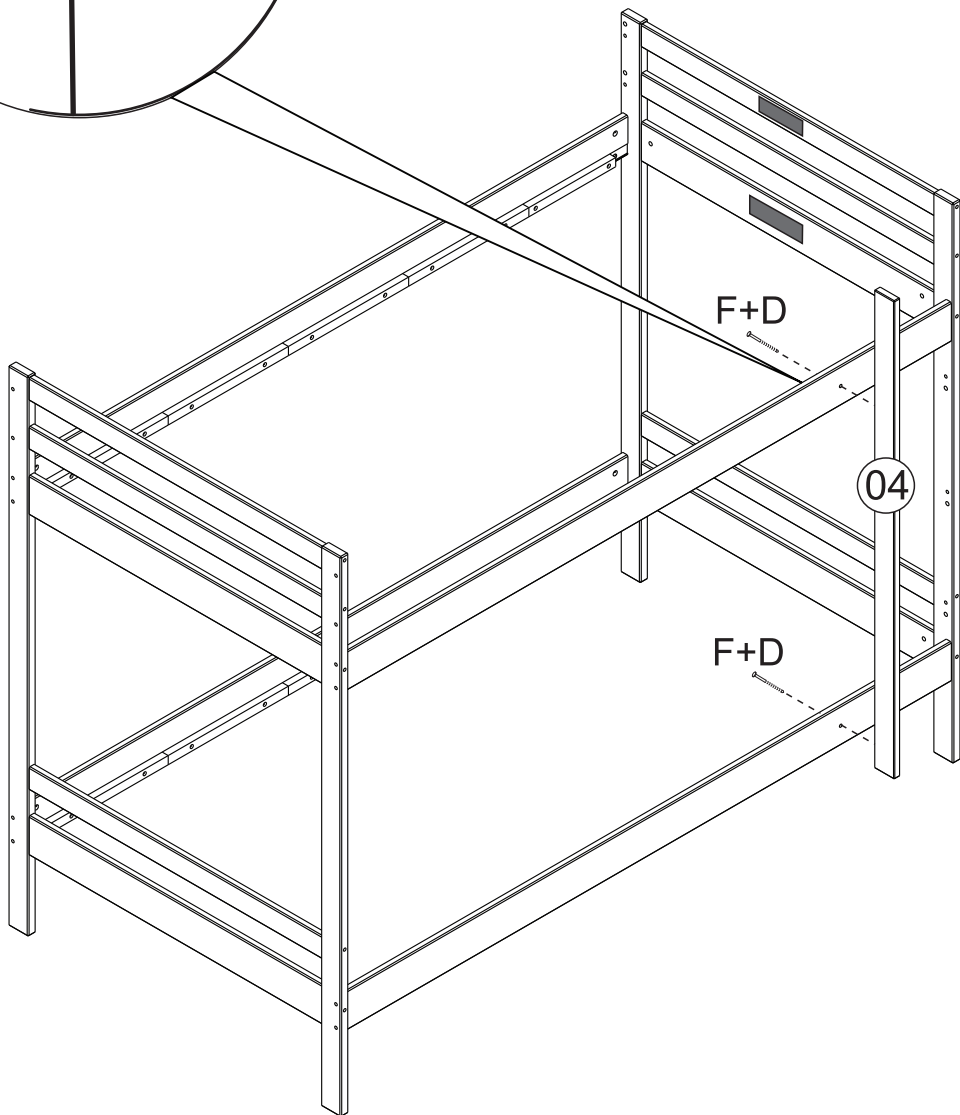
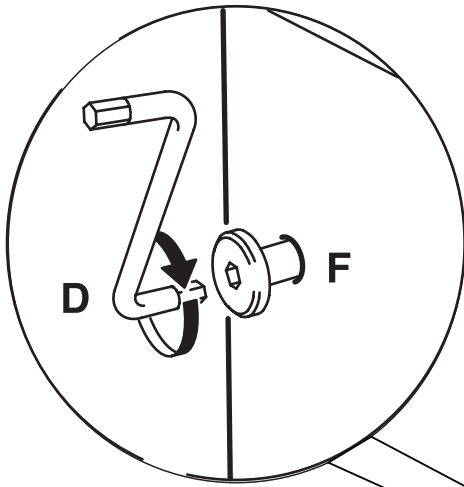
4 - 1/4 Half Moon (B)



1 - Allen wrench (D)

Assembly Instructions

Step 8



2 - 7x60x17 (F)

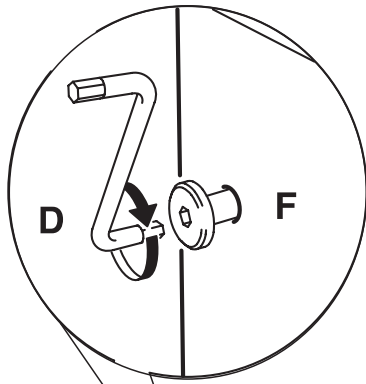


1 - Allen wrench (D)

Assembly Instructions



Step 9



D+F

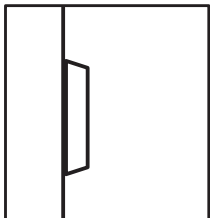
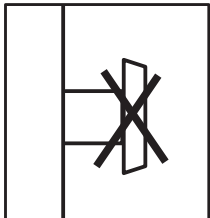
D+F

F+D

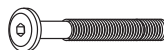
F+D

9

9



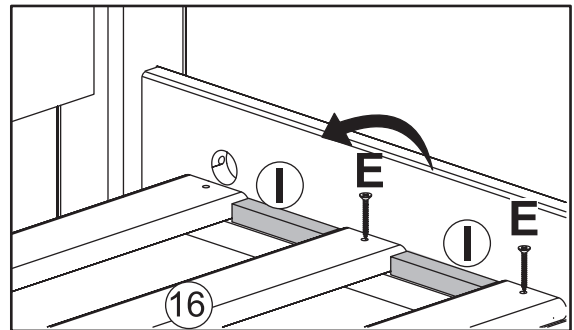
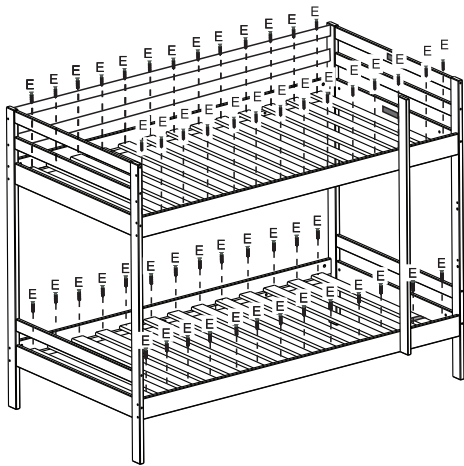
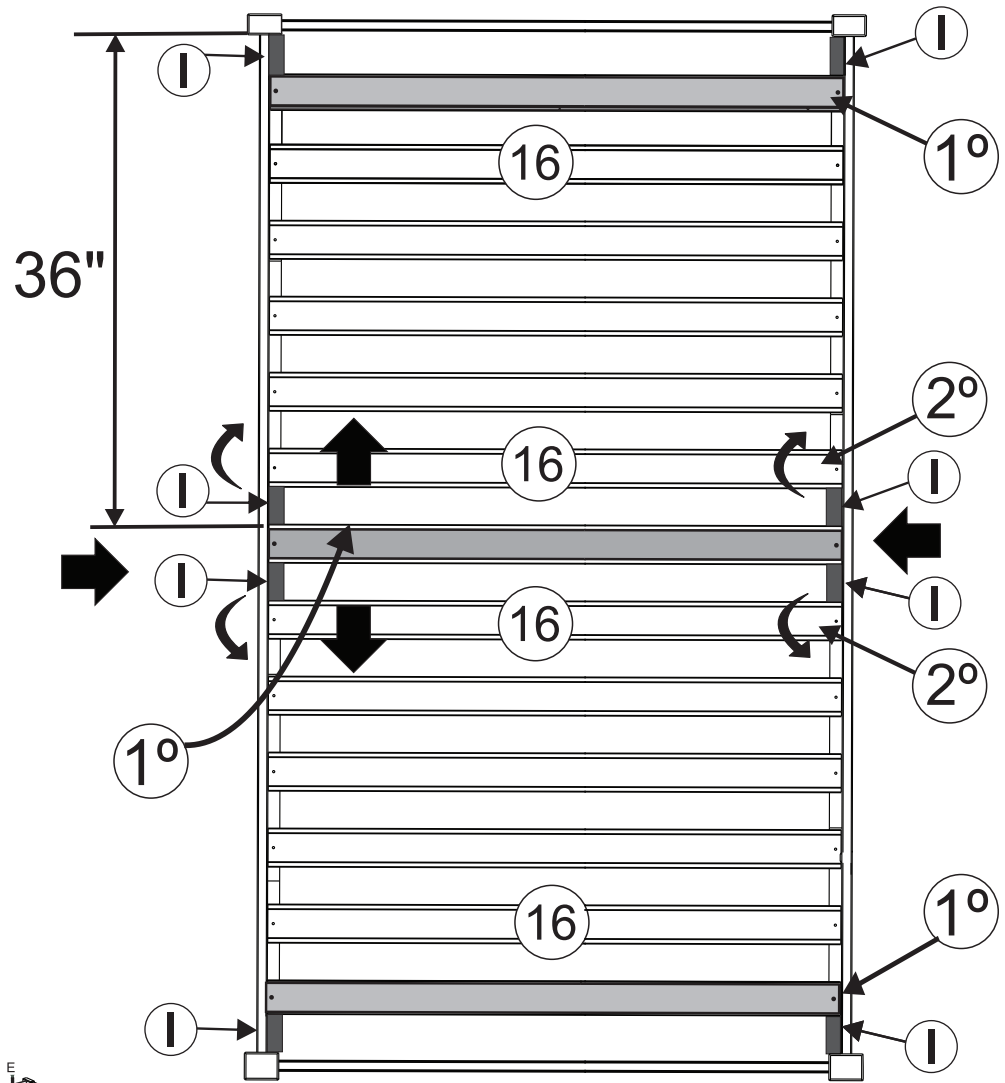
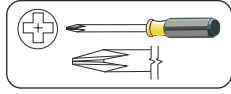
1 - Allen wrench (D)



4 - 7x60x17 (F)

Assembly Instructions

Step 10



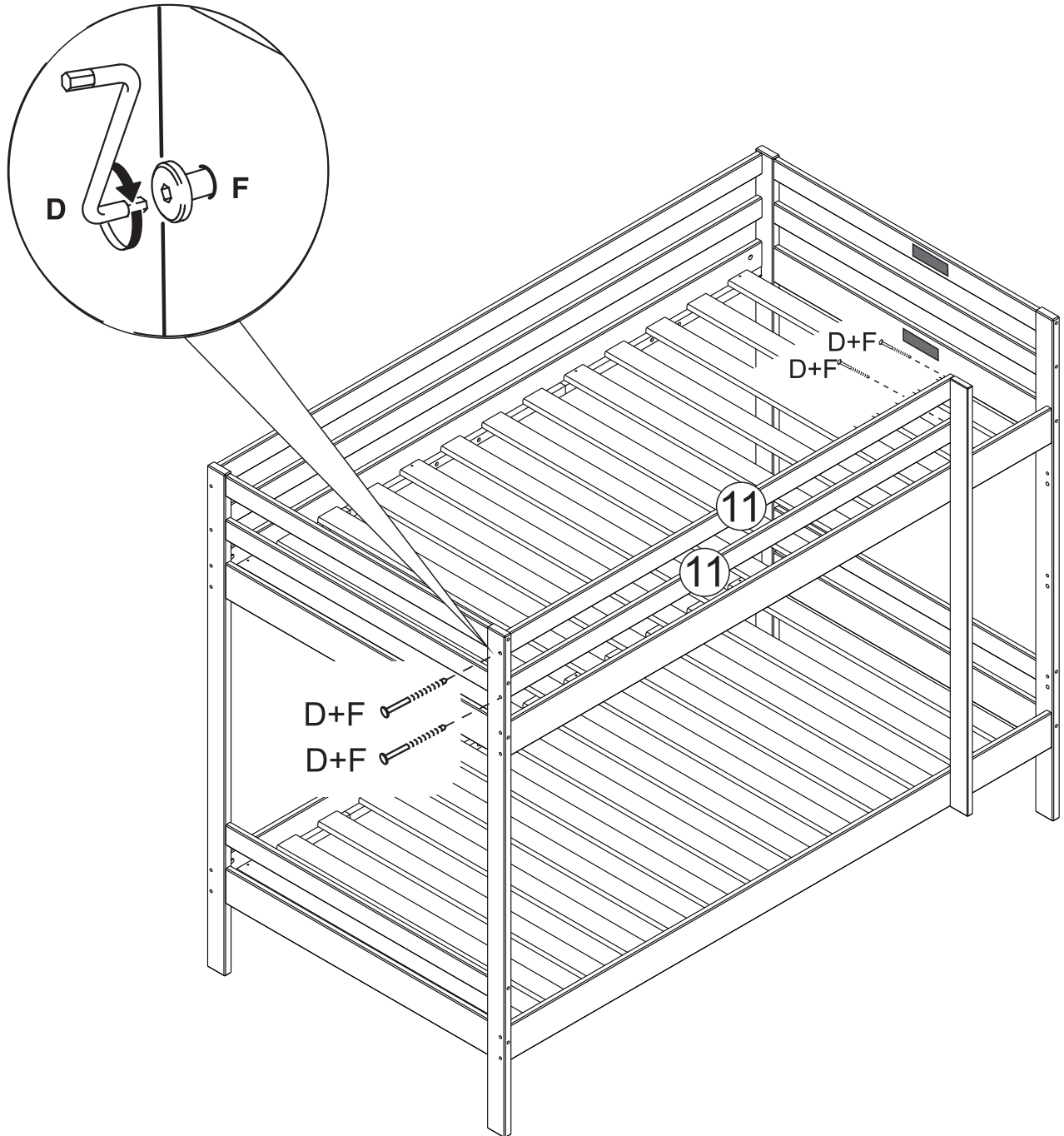
52 - 4.0x30 (E)



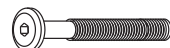
2 - Spacer Slats 7,1cm (I)

Assembly Instructions

Step 11



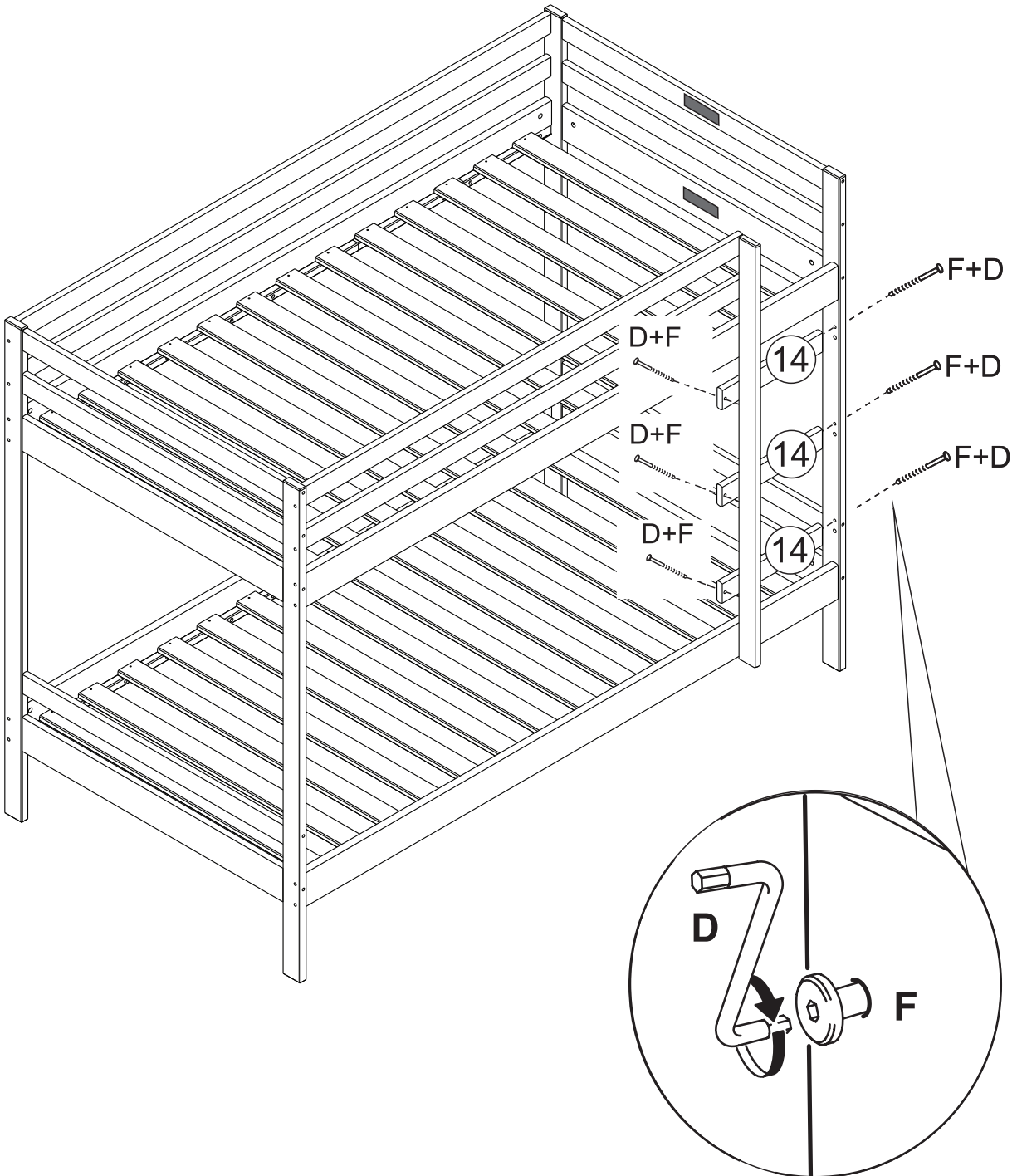
1 - Allen wrench (D)



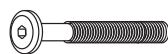
4 - 7x60x17 (F)

Assembly Instructions

Step 12



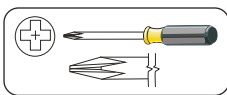
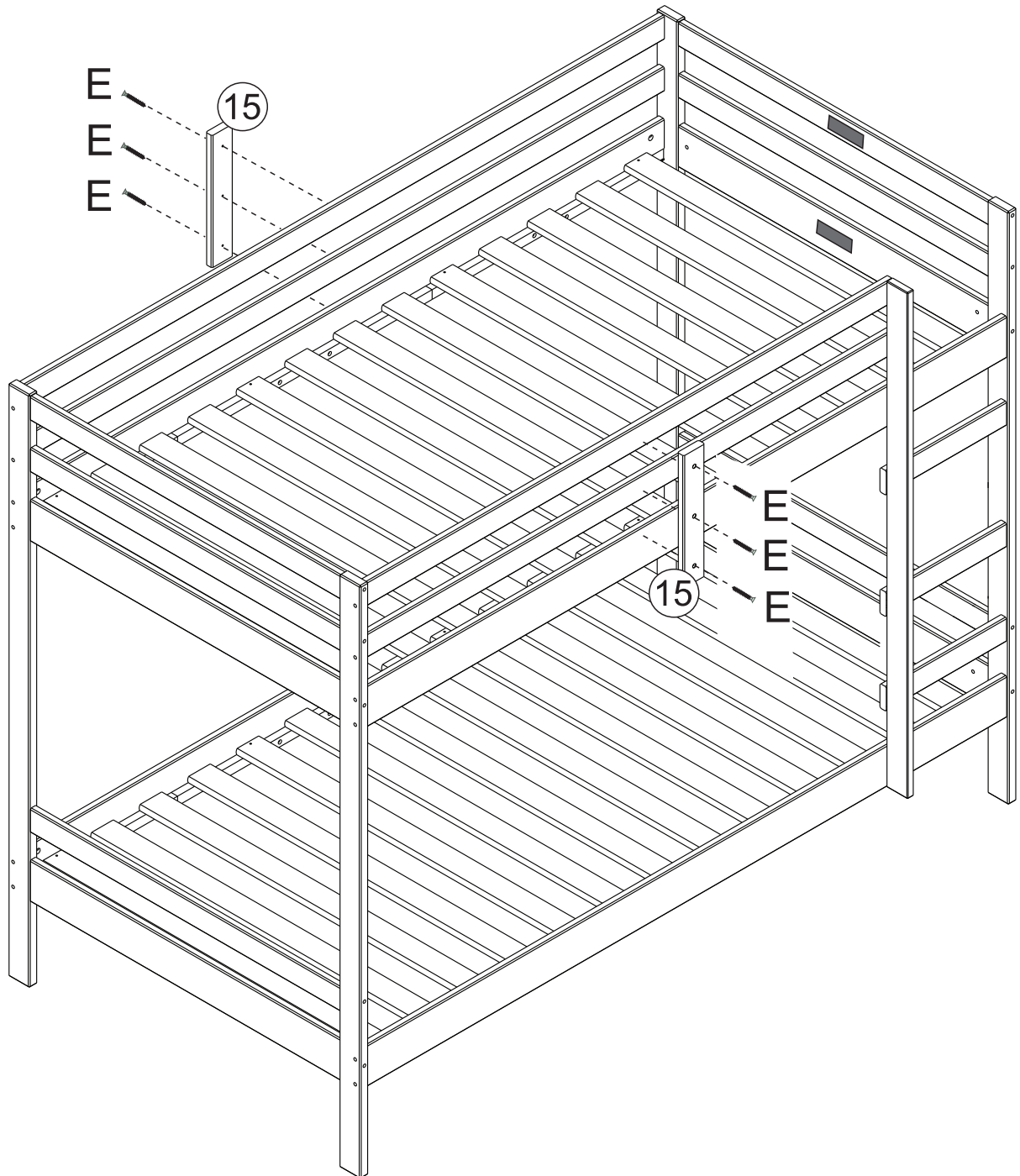
1 - Allen wrench (D)



6 - 7x60x17 (F)

Assembly Instructions

Step 13



6 - 4.0x30 (E)

CARE AND MAINTENANCE:

MAINTENANCE:

- Our furniture is designed to be low maintenance, however misuse, irregular use, or improper assembly can result in product malfunction. Regularly check the stability. If pieces feel loose or wobbly tighten all screws immediately.
- To store, review Assembly Instructions and reverse the steps to disassemble.
- Use only provided hardware to assemble and maintain assembly.

CARE:

- To clean use a soft, lint free rag similar to a cloth diaper and wipe away dust regularly. If necessary dampen cloth slightly with warm water and gently rub away spots. Dry thoroughly.
 - Do not use a bleach solution.
 - Do not submerge or allow to lie in standing water.
 - Do not use a sponge or harsh abrasive.
 - Do not use all purpose cleaners or harsh detergents.
 - Do not use Pine Oil cleaners or abrasive household cleaners.
 - Do not use heat or hot water.

PLEASE REGISTER THIS PRODUCT AT: WWW.PKOLINO.COM/REGISTER

California 93120 compliant for formaldehyde Phase 2 TPC-AQCARB-03

For customer service cases involving hardware please provide the part number.

Return Policy:

- For products purchased through our retail partners please contact them for resolution prior to contacting P'kolino.
- At P'kolino it is our commitment to improve play at home with products that are playfully-stylish and functionally-smart. That means, we want you and the child(ren) to love the way our products look and work. If within 10 days of receipt of your product you are not satisfied you may return it for a refund of the merchandise value.
- Our products and packaging have been designed to withstand standard delivery methods, however, please inspect your product upon receipt for damage to the packaging as products damaged during shipping are subject to exchange or refund. If product has been visibly damaged it is recommended that you refuse the delivery by the carrier. Notify us of the shipment rejection and upon receipt of the rejected shipment we will send you a replacement at no charge.
- To return your product, contact the retailer your purchased your product from. For products with visible wear or that are not properly repackaged will incur a restocking fee of 10%. Please follow assembly, use and care instructions carefully as we will not accept returns on products damaged due to improper assembly, altered or modified products, or on items damaged from normal, excessive or unintended use. Return shipping expenses, unless otherwise specifically stated by P'kolino, will be the customers expense.
- If you have questions regarding our policy please contact us at customercare@pkolino.com or 888-403-8992.

Warranty:

- P'kolino products are guaranteed to be free from defects in material and workmanship under normal and intended use for a period of 30 days from the date of your purchase.

Replacement/Credit:

- If our product fails to meet our warranty during the warranty period, we will, at our option, replace the product or provide you with a replacement of comparable value.

What Our Limited Warranty Does Not Cover:

- We offer this limited warranty only when the product is used by the original end-user customer. We offer no other warranty. Additionally, while our warranty is excellent, there are other limits to it. We offer NO WARRANTY in cases of damage in transit, inadequate care, abuse, abnormal use, misuse, accidents, normal wear and tear, damage due to environmental or natural elements, failure to follow product instructions, immersion in water (except for products specifically identified by us in writing as intended for water use), or improper storage or maintenance of the products.

Limitation on Damages:

- IN NO EVENT SHALL P'KOLINO,LLC BE LIABLE FOR INCIDENTAL, COMPENSATORY, PUNITIVE, CONSEQUENTIAL, INDIRECT, SPECIAL OR OTHER DAMAGES. OUR AGGREGATE LIABILITY WITH RESPECT TO DEFECTIVE PRODUCTS IS LIMITED TO THE MONIES PAID TO US FOR THE DEFECTIVE GOOD.

Some states and countries do not allow the exclusion or limitation of incidental, consequential or other damages, so the above limitation or exclusion may not apply to you. This warranty gives you specific legal rights, and you may also have other rights which vary based on state, province or country.

Contact Information

Please feel free to contact us at the address listed below

P'kolino LLC • 7300 NW 35th Avenue • Miami, FL 33147 • USA