



LEW ELECTRIC FITTINGS COMPANY

Call Today 708.345.2075

PUFP SERIES FLOOR BOX

PUFP-B/S SERIES 15A-20A, 125V

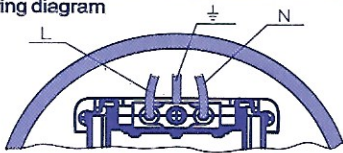
Attention: Read this important installation instruction sheet before installing:

Important Safety Notice

- Never use in overload situation, or it may increase the risk of causing a fire.
- When affixing the wire, make sure that the wire is inserted deep into the connection terminal (see diagram) and that no part of the wire is exposed outside of the plastic terminal. Failure to do so will increase the risk of causing a fire.
- Once the wiring connections are made, wrap the connections with U.L.-approved electrical tape. Failure to do so will increase the risk of causing a fire.
- Never use a wiring device other than the U.L.-listed wiring device provided.

Installation Method

wiring diagram

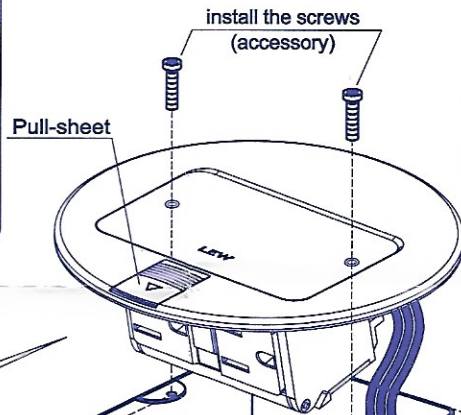


wiring method

- ① Length of bare conductor
- ② insert deeply then revolve the screws



※ When in use, not necessary to earth.



- 1 Once the Cover Plate is properly wired (see diagram) put the cover plate into the approved box (PUFB-HB Masonary Floor Box, PUFP-WB Wood Floor Box or FB Pvc Floor Box).
- 2 Make the GFCI duplex receptacle pop up by pulling the Pull-Sheet. Tighten the installation screws(see diagram).
- 3 Push down on the cover to close and lock.
- 4 Make sure that the pop up feature is working properly by opening and closing the pop up lid several times making sure that it locks shut every time that you close it, if it does not lock when closed, please re-install correctly.

Lead the wire into the box through the opened knock-out.

Applicable Wire

14/2 with ground
(Type UF-600V-UL)

Applicable Floor Box

PUFP-HB Masonary Floor Box,
PUFP-WB Wood Floor Box,
FB Pvc Floor Box

Lew Electric Fittings Company