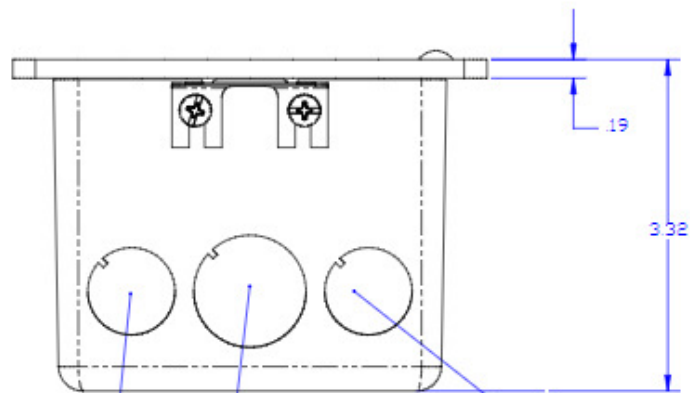


TOP VIEW



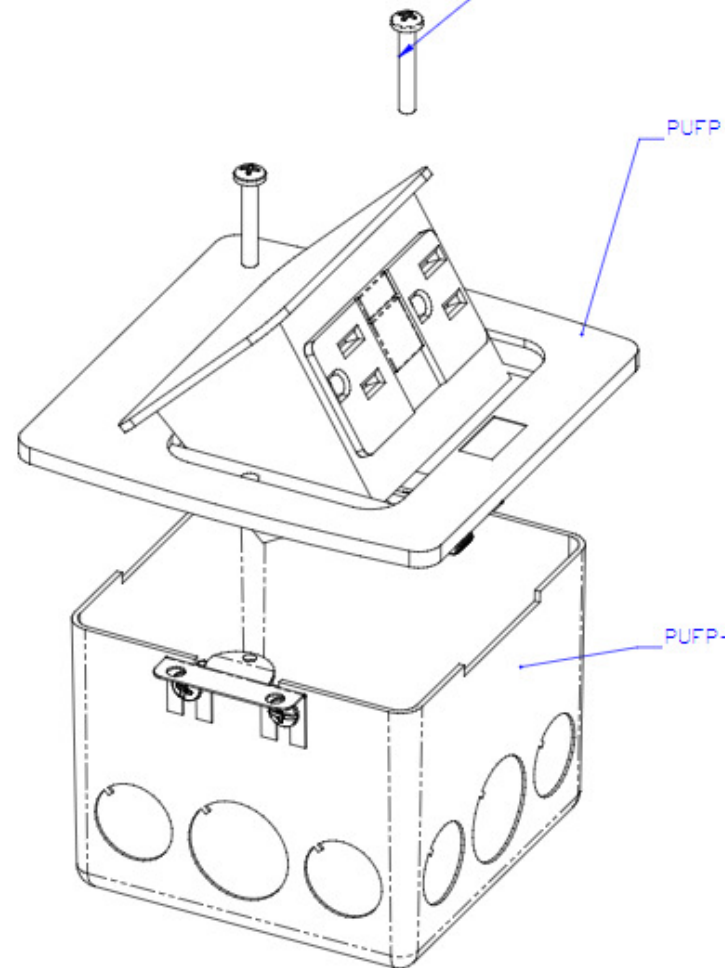
1/2" KNOCK-OUT TYP.
(OPPOSITE SIDE)

3/4" KNOCK-OUT TYP.
(OPPOSITE SIDE)

1/2" KNOCK-OUT TYP.
(OPPOSITE SIDE)

FRONT VIEW

ZINC PLATED, (2) 8-32 X 1,
PAN HEAD SCREW (PROVIDED)



LEW ELECTRIC
FITTINGS COMPANY
SERVING THE ELECTRICAL INDUSTRY SINCE 1901

1801 W. St. Charles Rd. Maywood, IL 60153
PHONE: 708-345-2075

UNLESS OTHERWISE SPECIFIED:	NAME	DATE
DIMENSIONS ARE IN INCHES	DRW	
TOLERANCES	FIG	
FRACTIONS		
ANGULAR TYPING		
PLACEMENT		
TEXT OR DIMENSION		

TITLE:
PUFP