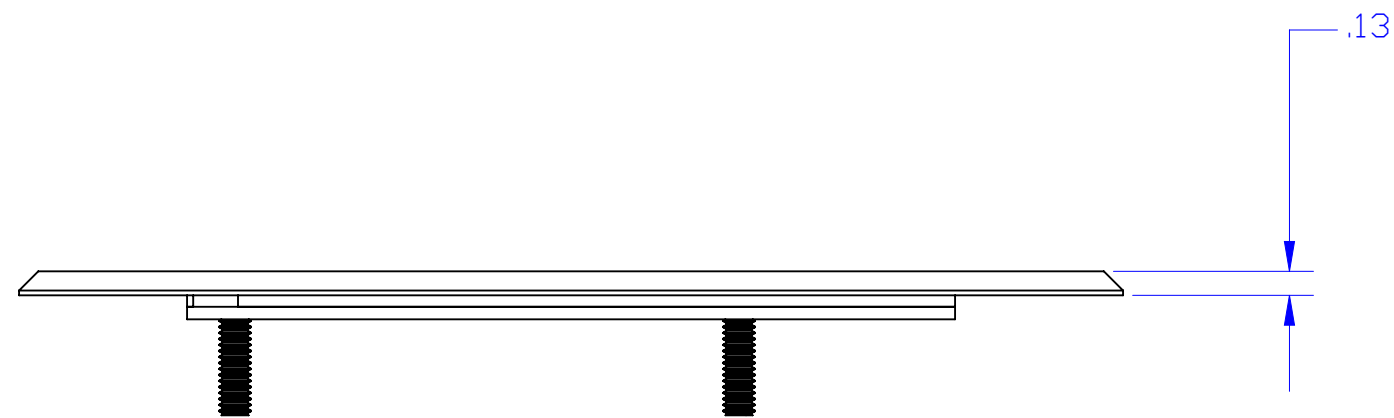
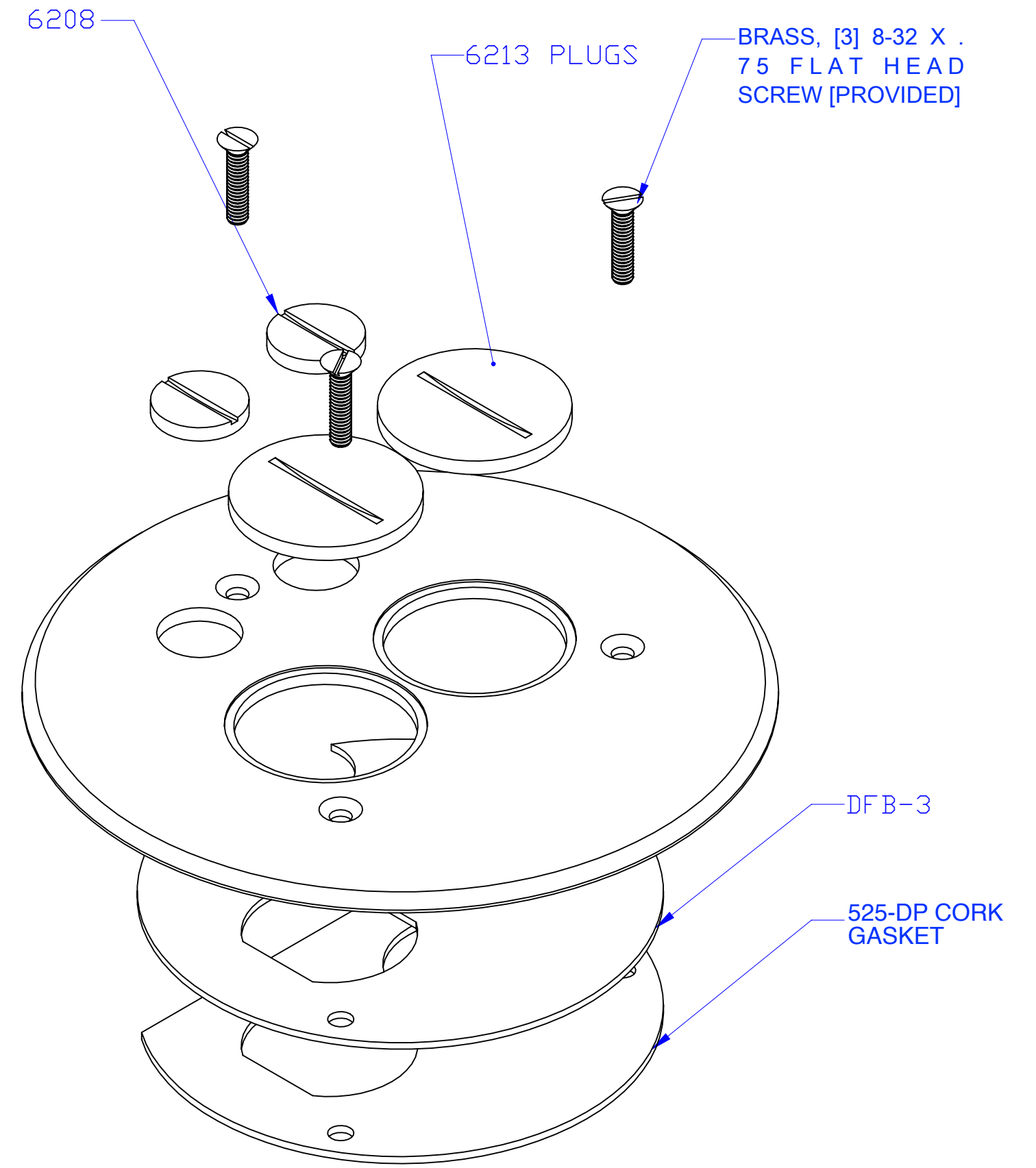
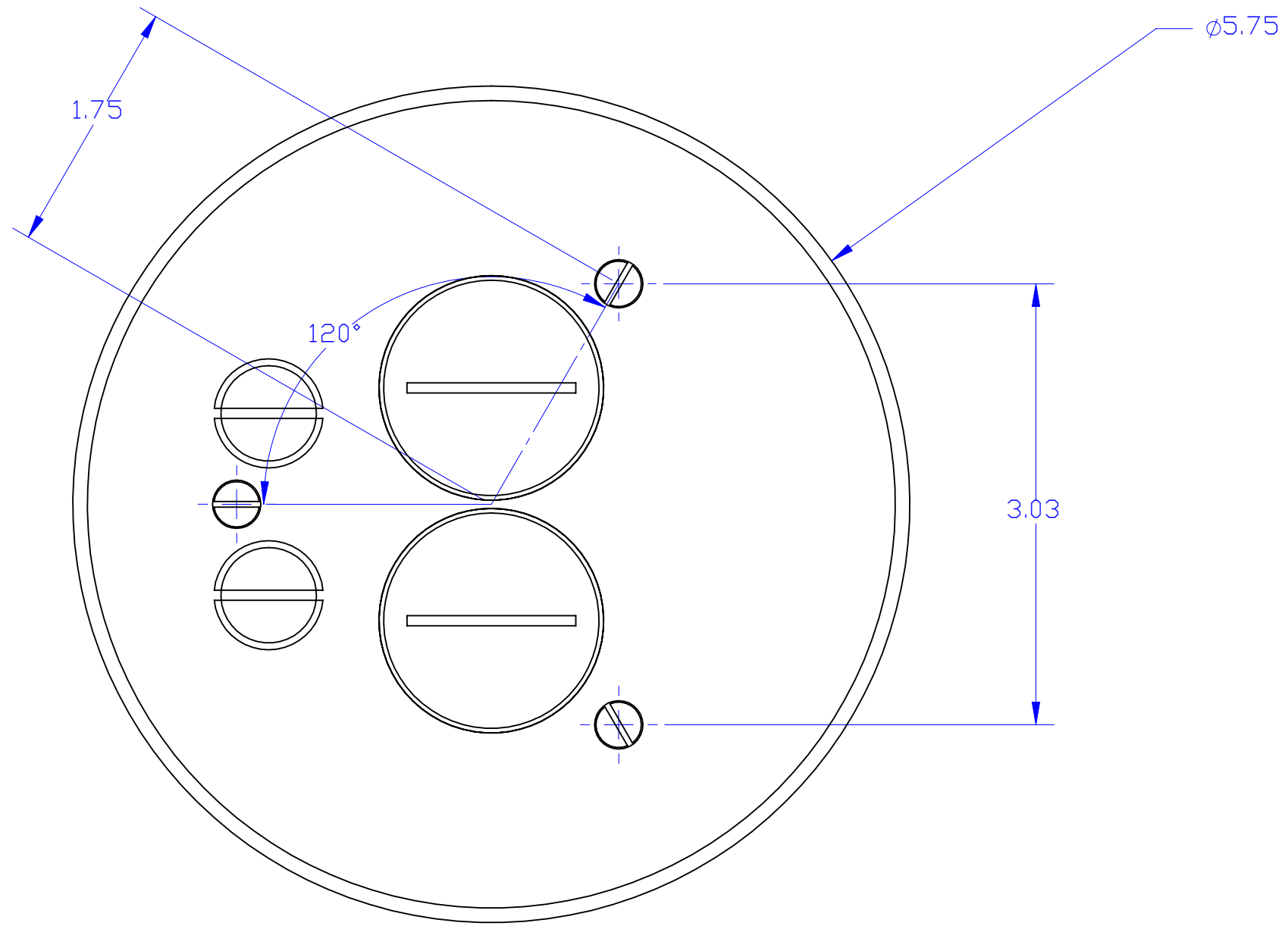


DESCRIPTION:  
 BRASS, 5 3/4 FLANGED COVER WITH (2) 1  
 1/2" SCREW PLUGS FOR DUPLEX POWER OR  
 COM/DATA AND (2) 1/2 PLUGS FOR COMM/DATA



**LEW ELECTRIC**  
**FITTINGS COMPANY**  
 SERVING THE ELECTRICAL INDUSTRY SINCE 1901  
 371 Randy Rd, Carol Stream, IL 60188  
 PHONE: 630-665-2075

UNLESS OTHERWISE SPECIFIED:	NAME	DATE	TITLE: <b>TCP-2-PC</b>
DIMENSIONS ARE IN INCHES	DRAWN P.J.G.	9/25/2007	
TOLERANCES:			SIZE DWG. NO. REV <b>C</b> 100120 <b>A</b>
FRACTIONAL ±			
ANGULAR: MATCH ± BEND ±			
TWO PLACE DECIMAL ±			
THREE PLACE DECIMAL ±			WEIGHT: SHEET 3 OF 3
INTERPRET GEOMETRIC TOLERANCING PER:	COMMENTS:		
MATERIAL:			
FINISH:			
DO NOT SCALE DRAWING			