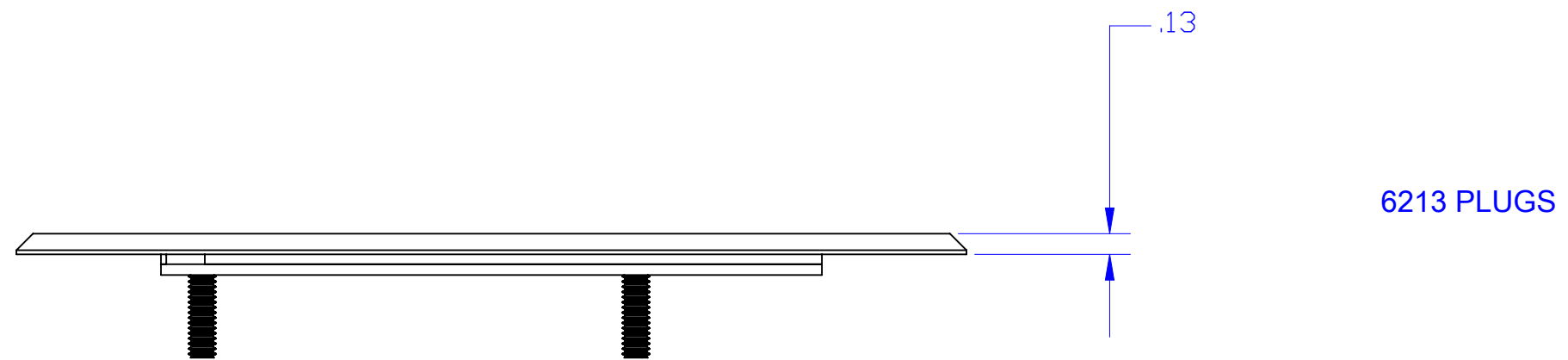
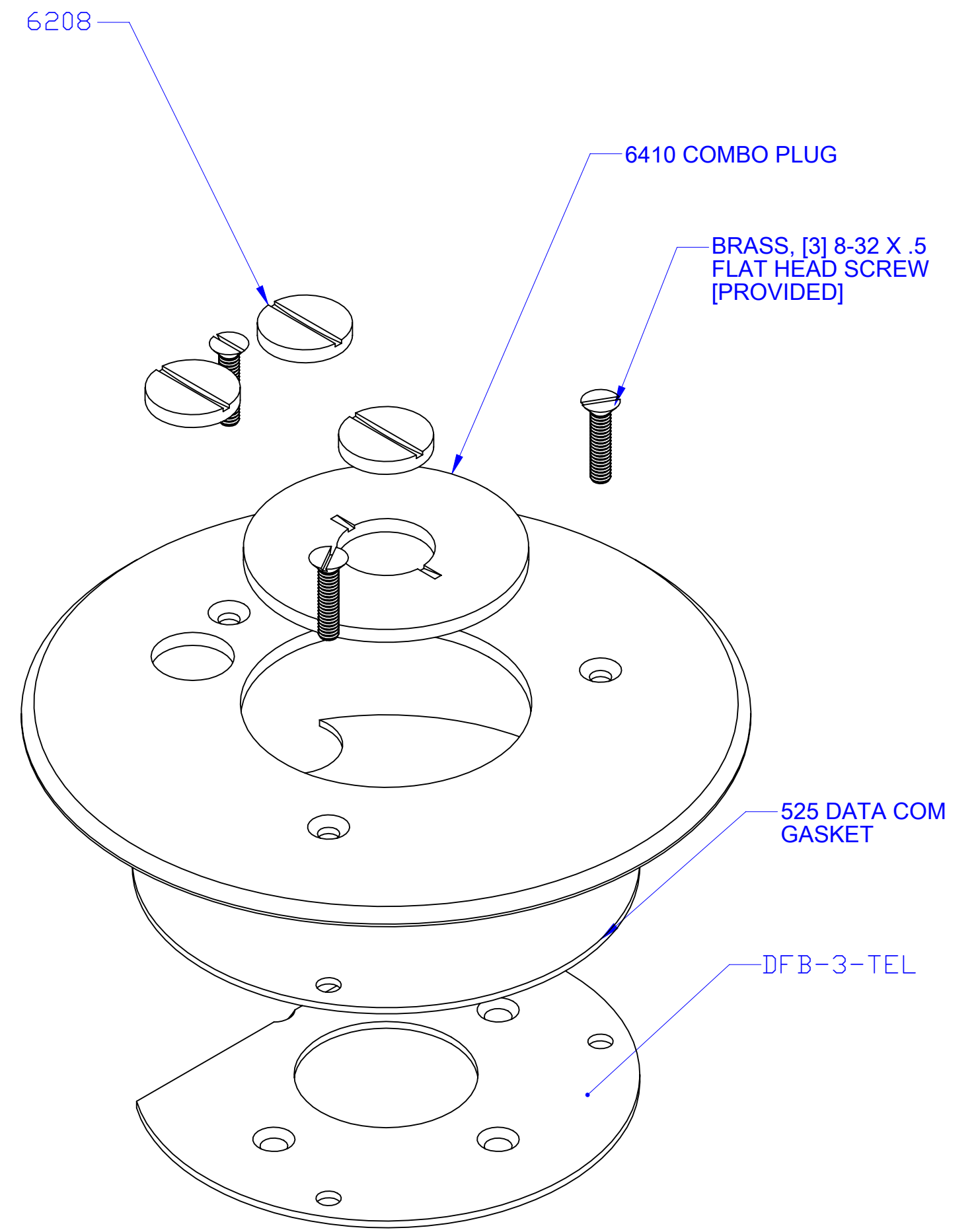
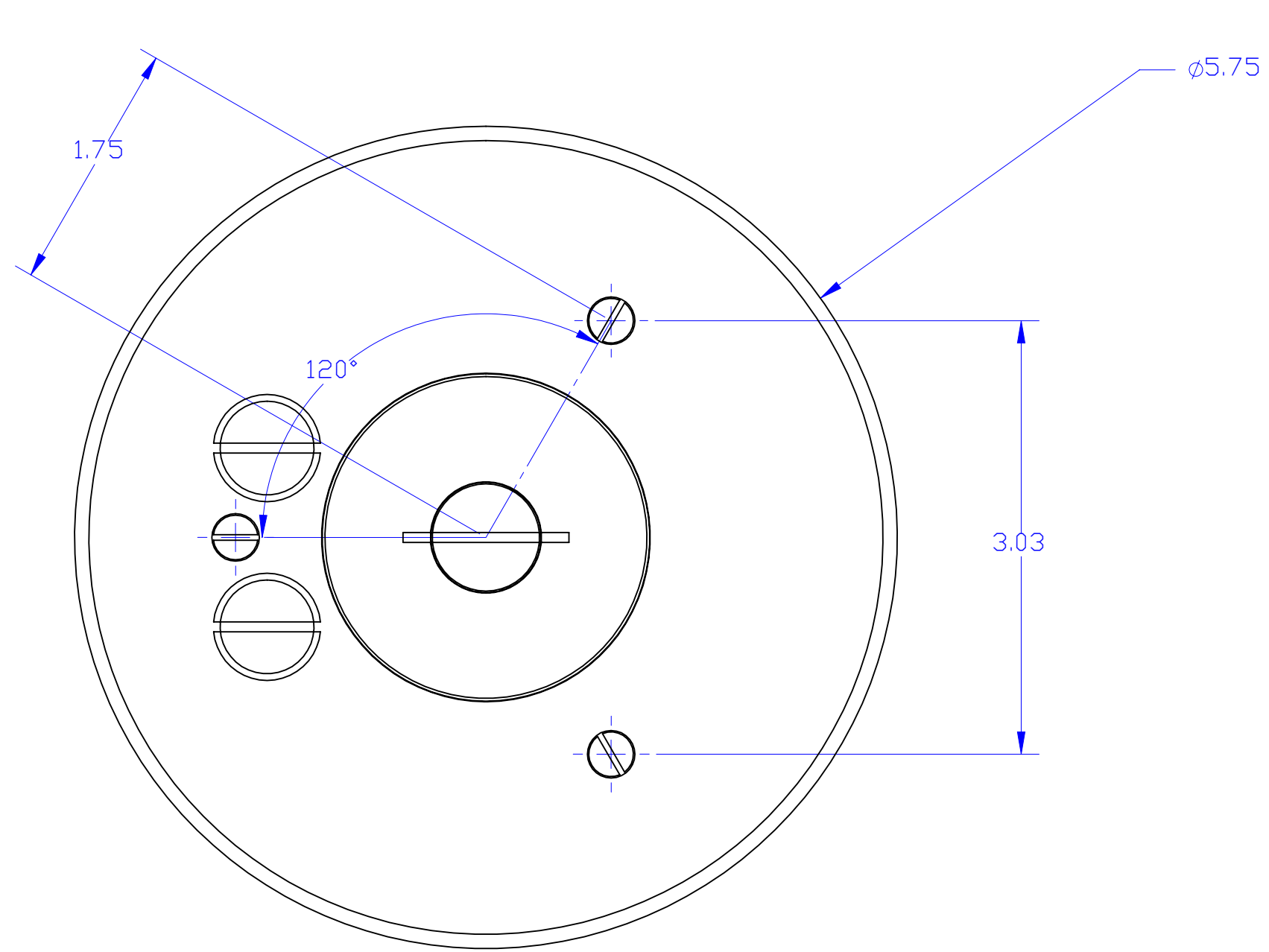


DESCRIPTION:
 BRASS, 5 3/4" FLANGED COVER WITH 2-1/2"
 COMBO PLUG FOR COM/DATA OR SINGLE
 RECEPTACLE, [2] 1/2" PLUGS FOR COMM/DATA



LEW ELECTRIC
FITTINGS COMPANY
 SERVING THE ELCTRICAL INDUSTRY SINCE 1901
 1801 W. St. Charles Rd. Maywood, IL 60153
 PHONE: 708-345-2075

UNLESS OTHERWISE SPECIFIED:	NAME	DATE	TITLE: TCP-1-PC
DIMENSIONS ARE IN INCHES	DRAWN	9/25/2007	
TOLERANCES:			SIZE DWG. NO. REV C 100120 A
FRACTIONAL ±			
ANGULAR: MACH ± BEND ±			
TWO PLACE DECIMAL ±			
THREE PLACE DECIMAL ±			WEIGHT: SHEET 2 OF 3
INTERPRET GEOMETRIC TOLERANCING PER:	COMMENTS:		
MATERIAL			
FINISH			
DO NOT SCALE DRAWING			