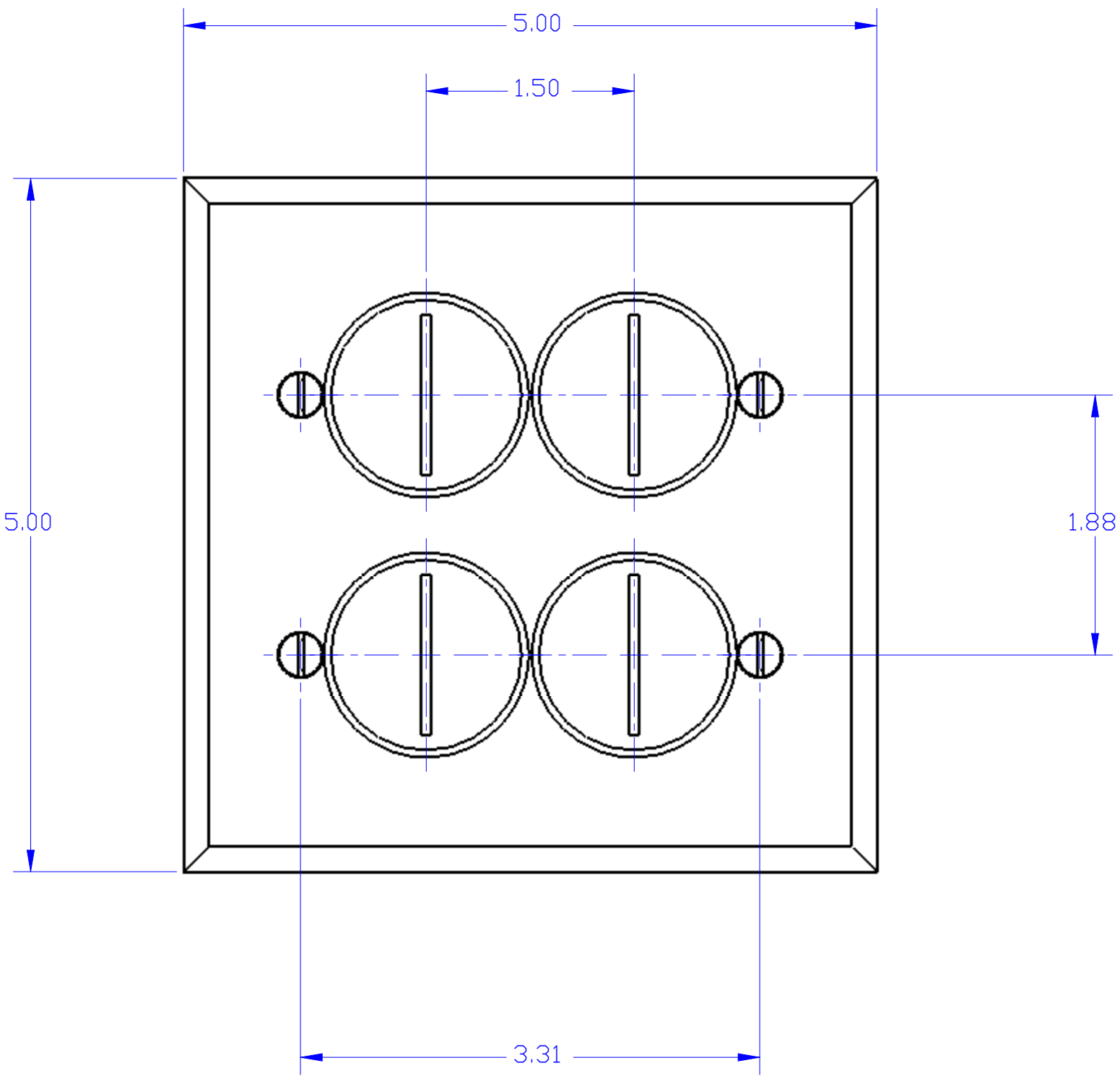
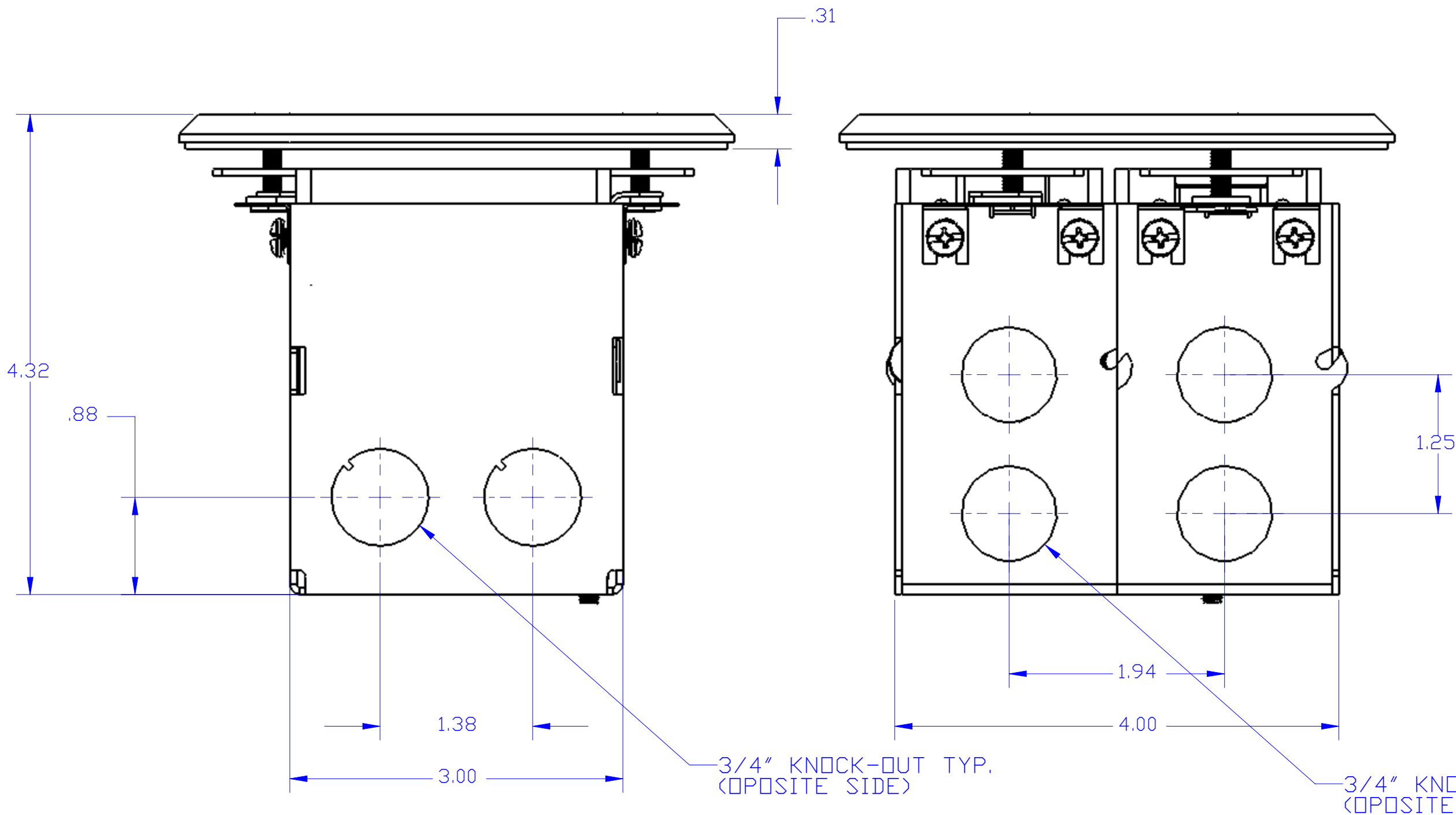
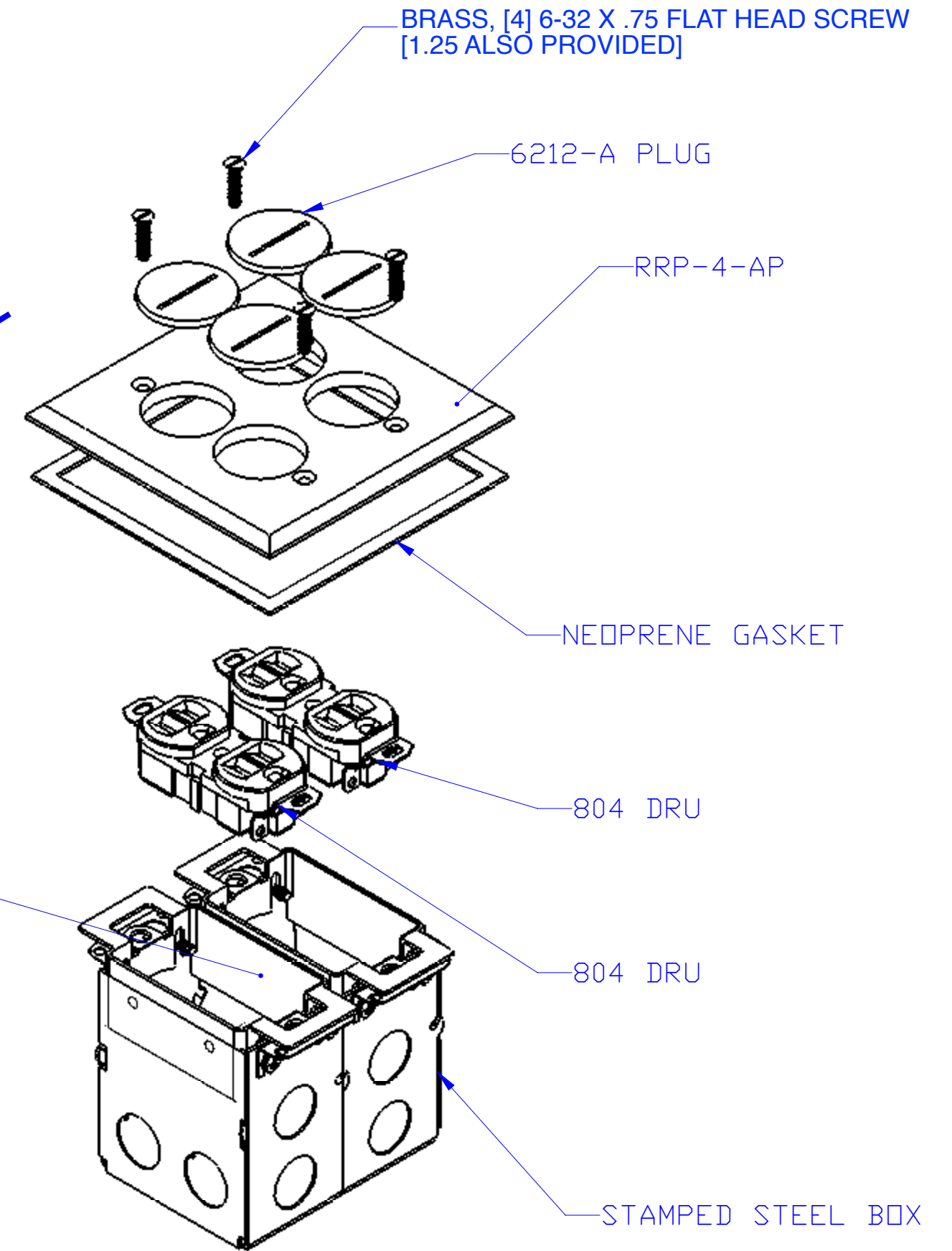


DESCRIPTION: BRASS, TWO GANG, DIVIDED, RECESSED, FLOOR PLATE ASSEMBLY: 2 POWER & 1 QUAD PORT



ALSO CONTAINS 1 RRP-2-PQ QUAD PORT



LEW ELECTRIC FITTINGS COMPANY
 SERVING THE ELECTRICAL INDUSTRY SINCE 1901
 371 Randy Rd, Carol Stream IL, 60188
 PHONE: 630-665-2075

| | | | | |
|--------------------------------------|----------|---------------|--------|------------------------|
| UNLESS OTHERWISE SPECIFIED: | | NAME | DATE | TITLE: SWB-4 |
| DIMENSIONS ARE IN INCHES | | DRAWN | P.J.G. | |
| TOLERANCES: | | | | |
| FRACTIONAL ± | | | | |
| ANGULAR: MACH ± | | | | |
| BEND ± | | | | |
| TWO PLACE DECIMAL ± | | | | |
| THREE PLACE DECIMAL ± | | | | |
| INTERPRET GEOMETRIC TOLERANCING PER: | | COMMENTS: | | |
| MATERIAL | | | | |
| FINISH | | | | |
| DO NOT SCALE DRAWING | | | | |
| SIZE | DWG. NO. | REV | | |
| C | | A | | |
| WEIGHT: | | SHEET 4 OF 16 | | |