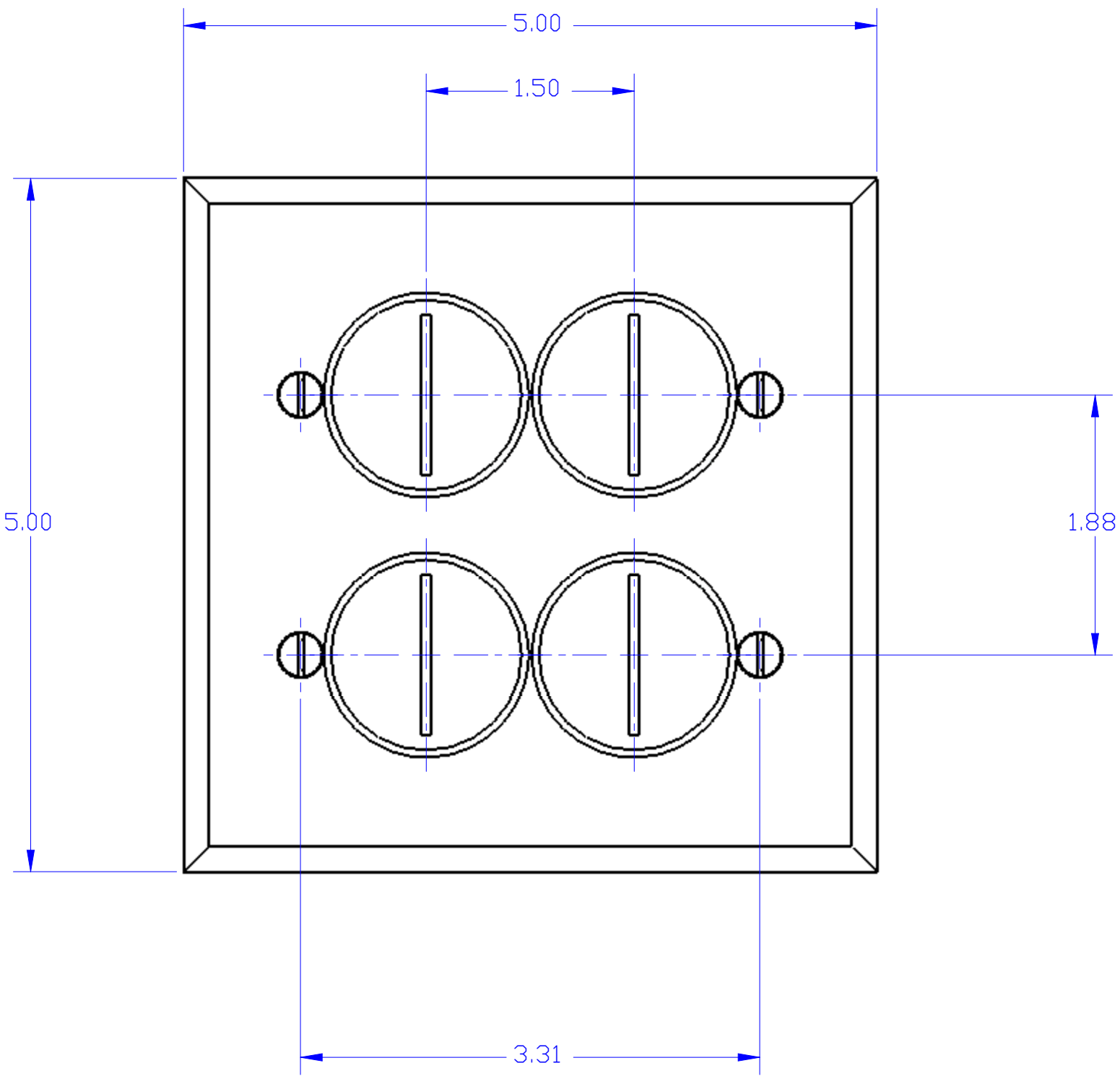
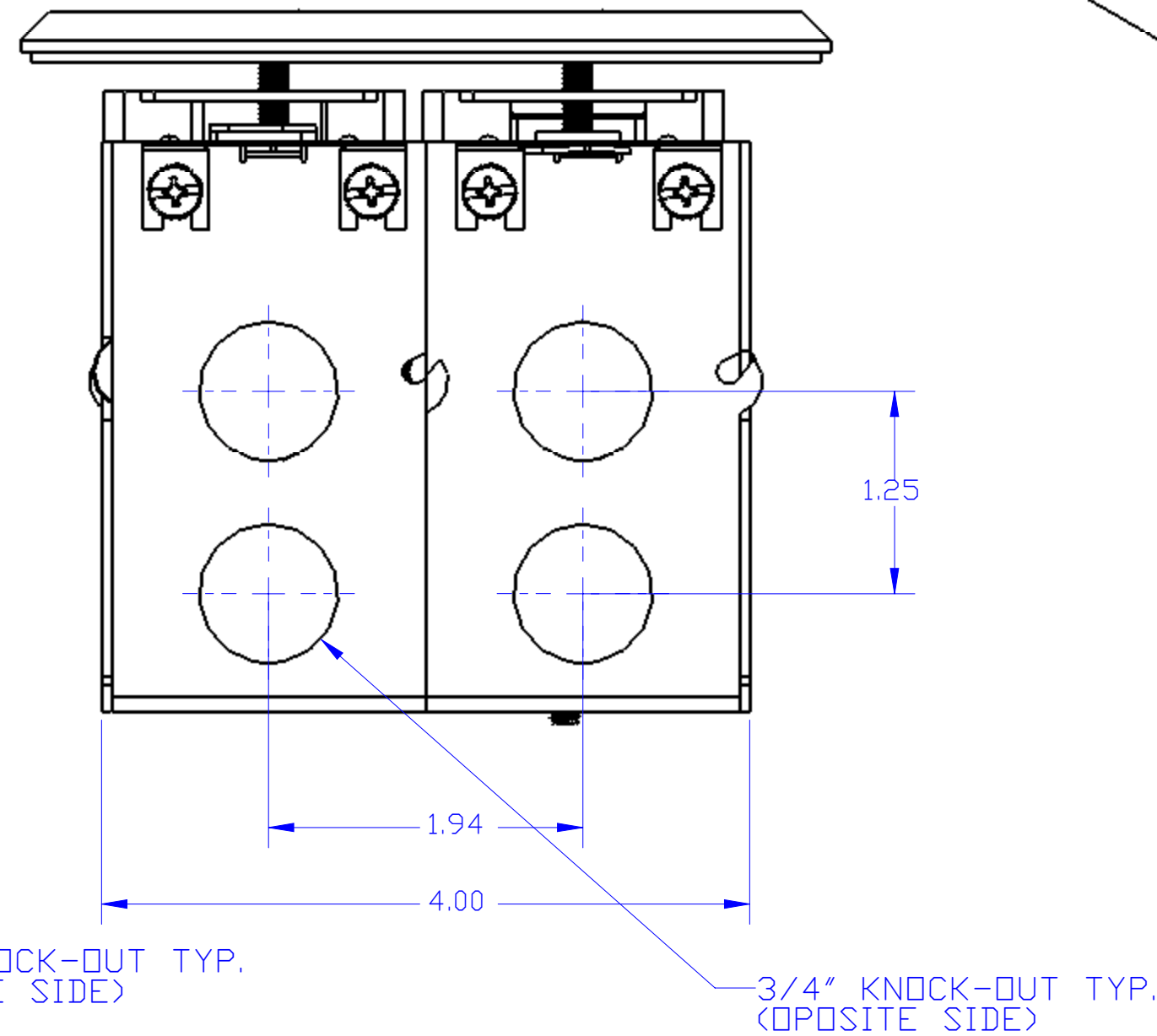
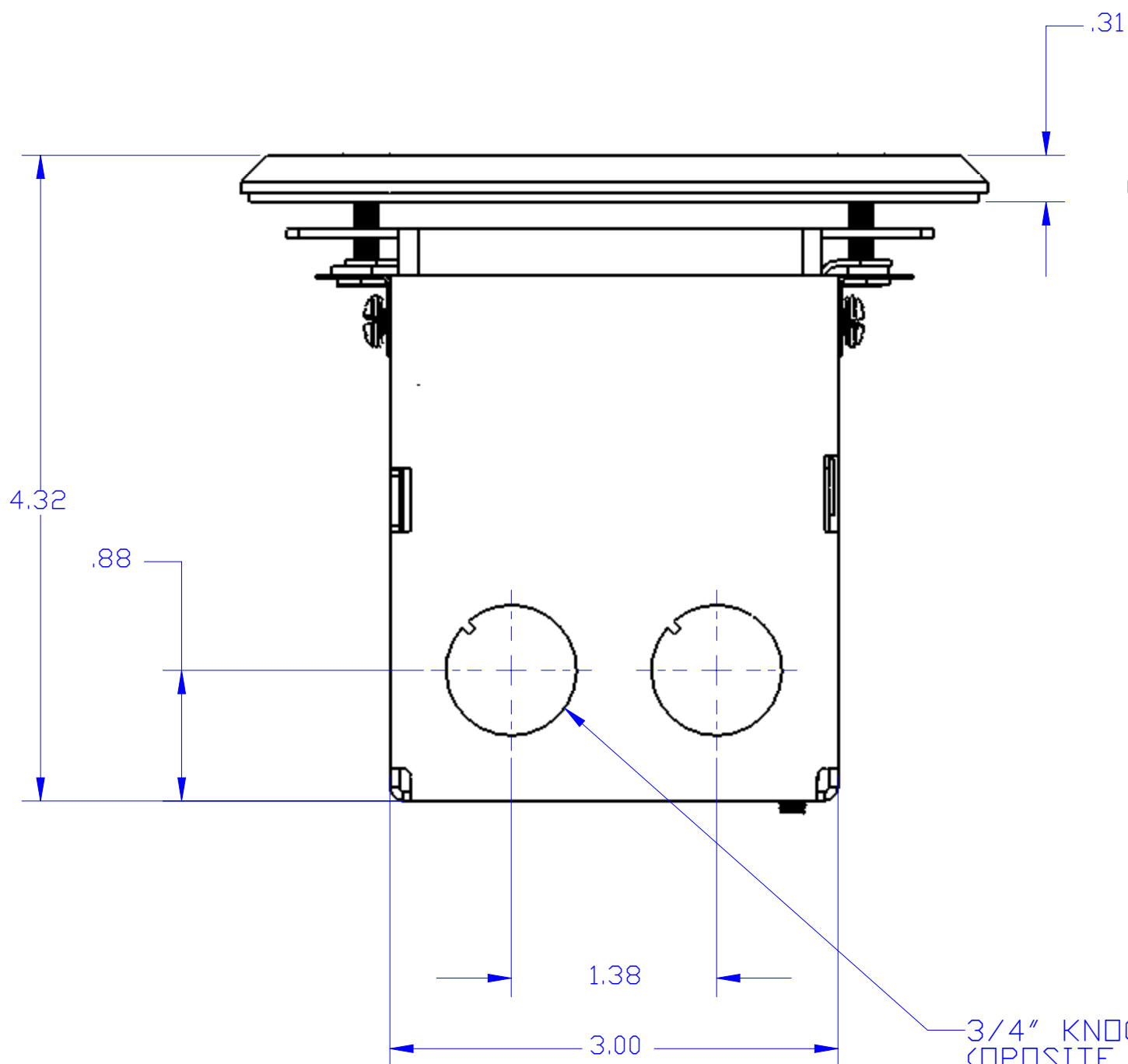
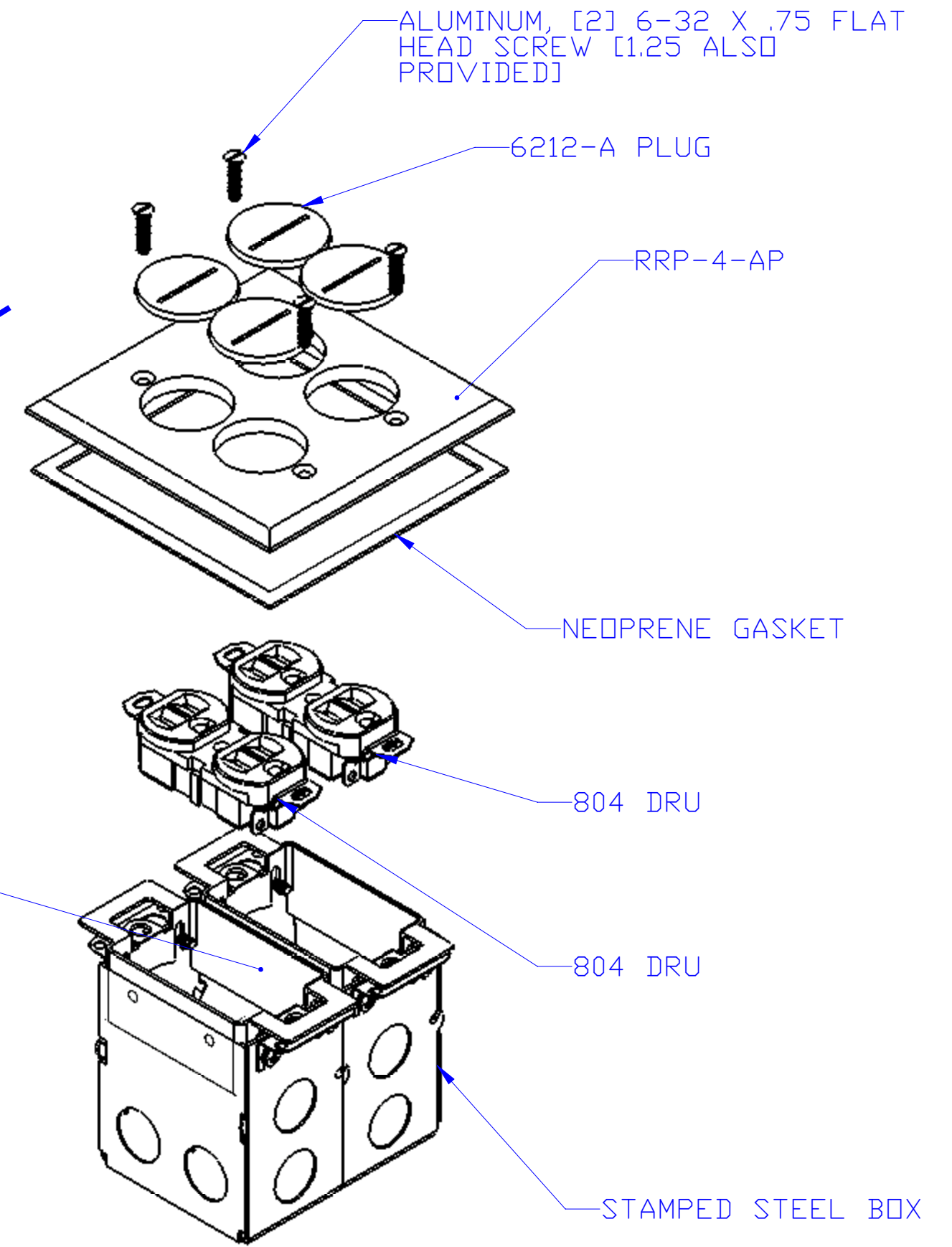


DESCRIPTION: ALUMINUM, TWO GANG, DIVIDED, RECESSED, FLOOR PLATE ASSEMBLY: 2 POWER & 1 QUAD PORT



ALSO CONTAINS 1 RRP-2-PQ QUAD PORT



LEW ELECTRIC FITTINGS COMPANY
 SERVING THE ELECTRICAL INDUSTRY SINCE 1901
 371 Randy Rd, Carol Stream IL, 60188
 PHONE: 630-665-2075

UNLESS OTHERWISE SPECIFIED:		NAME	DATE
DIMENSIONS ARE IN INCHES		DRAWN	PJG 2/10/2008
TOLERANCES:			
FRACTIONAL ±			
ANGULAR: MACH ± BEND ±			
TWO PLACE DECIMAL ±			
THREE PLACE DECIMAL ±			
INTERPRET GEOMETRIC TOLERANCING PER:		COMMENTS:	
MATERIAL			
FINISH			
DO NOT SCALE DRAWING			
TITLE:			SWB-4-A
SIZE	DWG. NO.	REV	
C		A	
WEIGHT:		SHEET 4 OF 16	