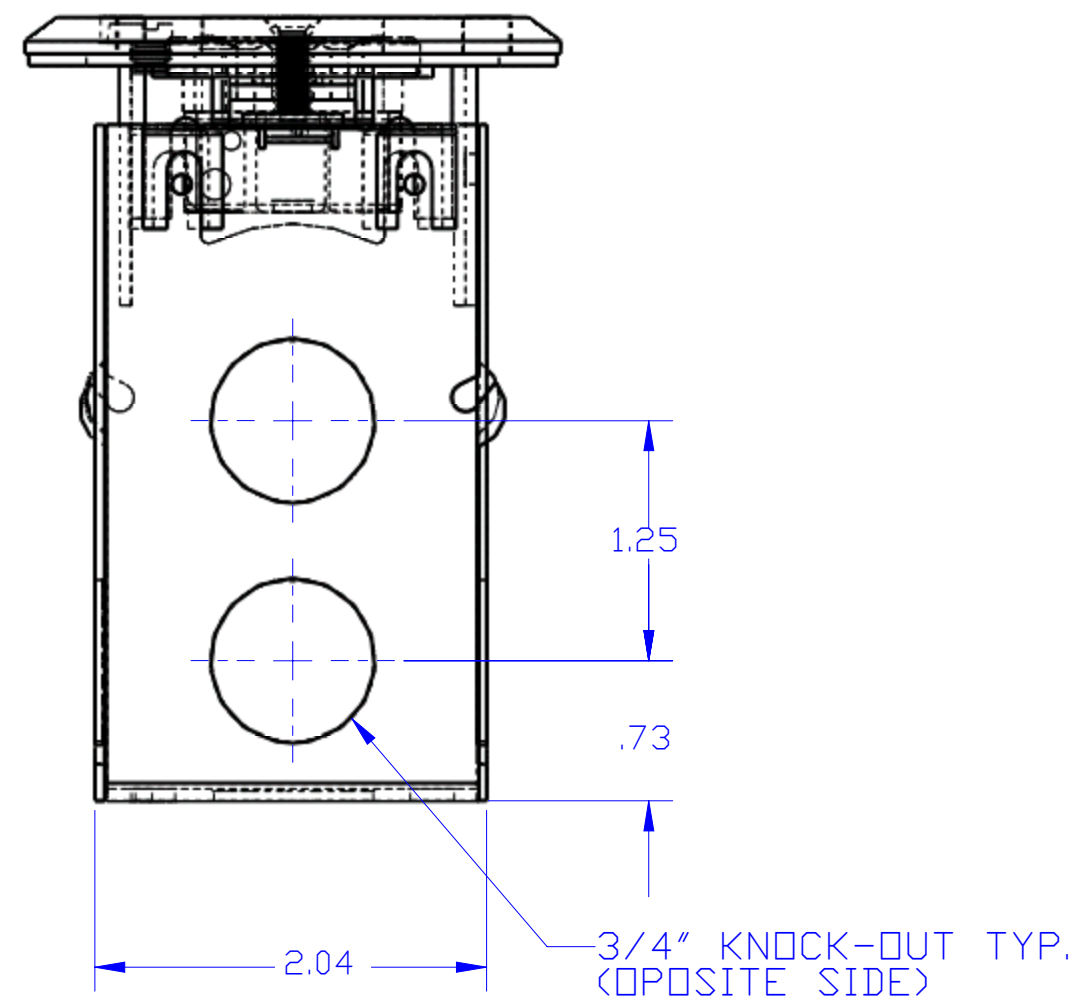
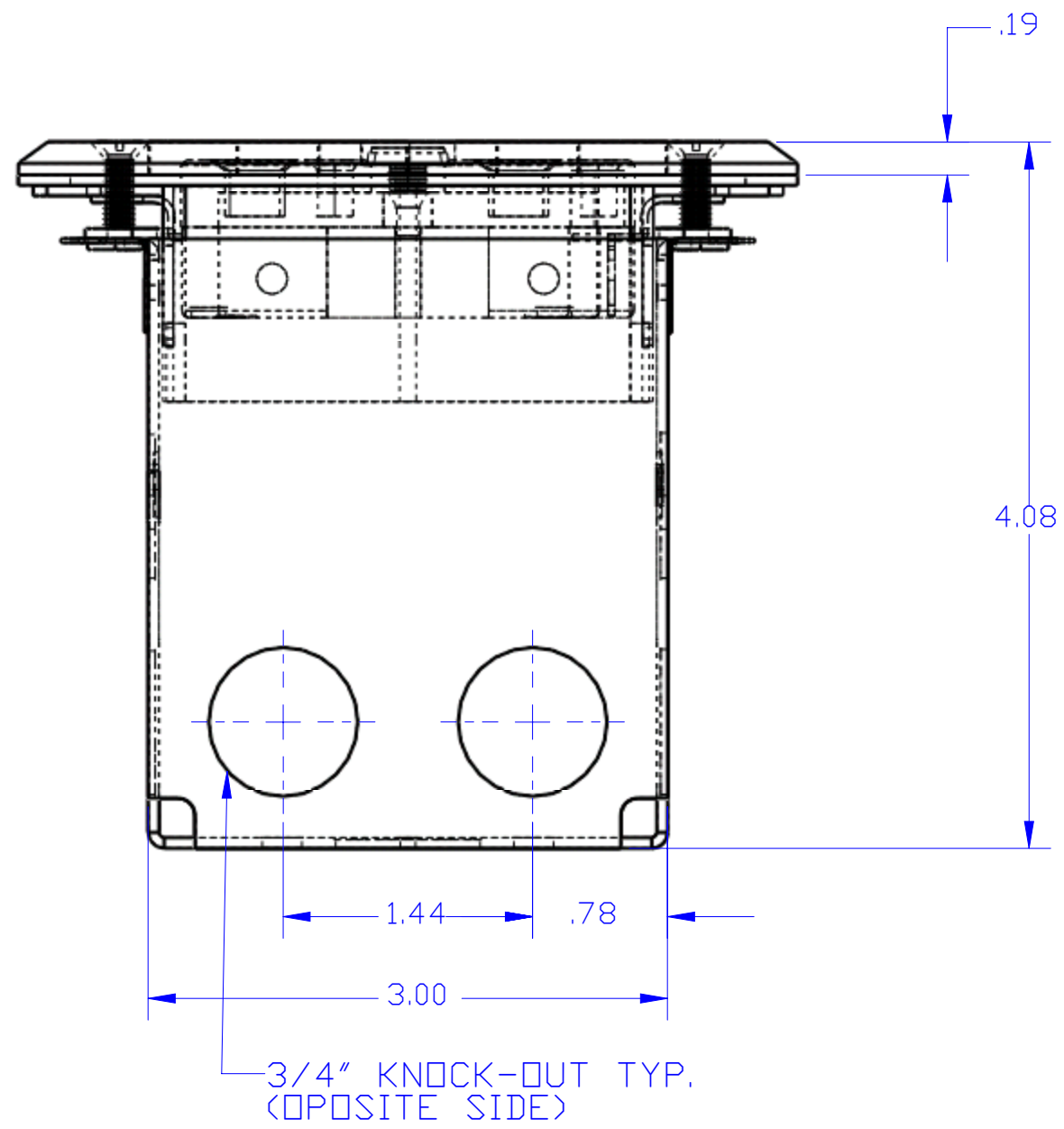
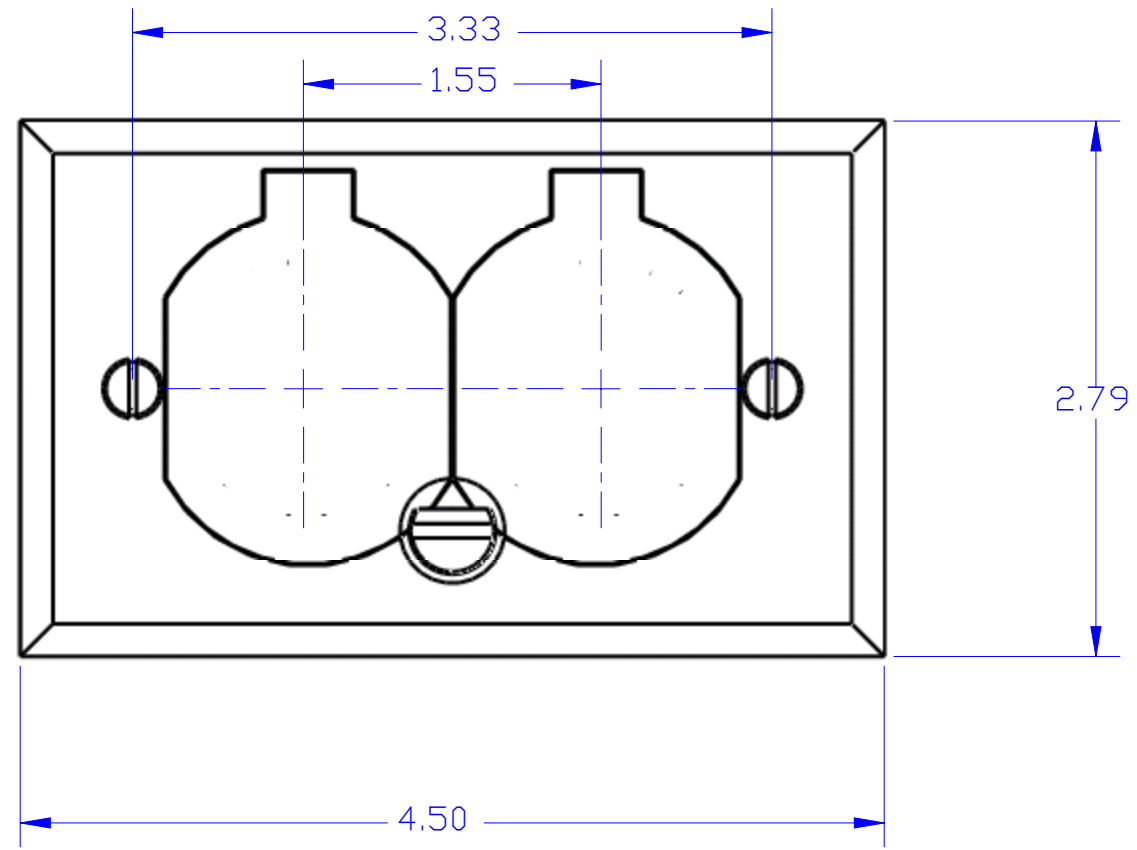


DESCRIPTION:  
BRASS, RECESSED FLOOR PLATE FLIP LID  
ASSEMBLY (DUPLEX RECEPTACLE WITH BOX)



BRASS, [2] 6-32 X .75 FLAT HEAD  
SCREW [1.25 ALSO PROVIDED]

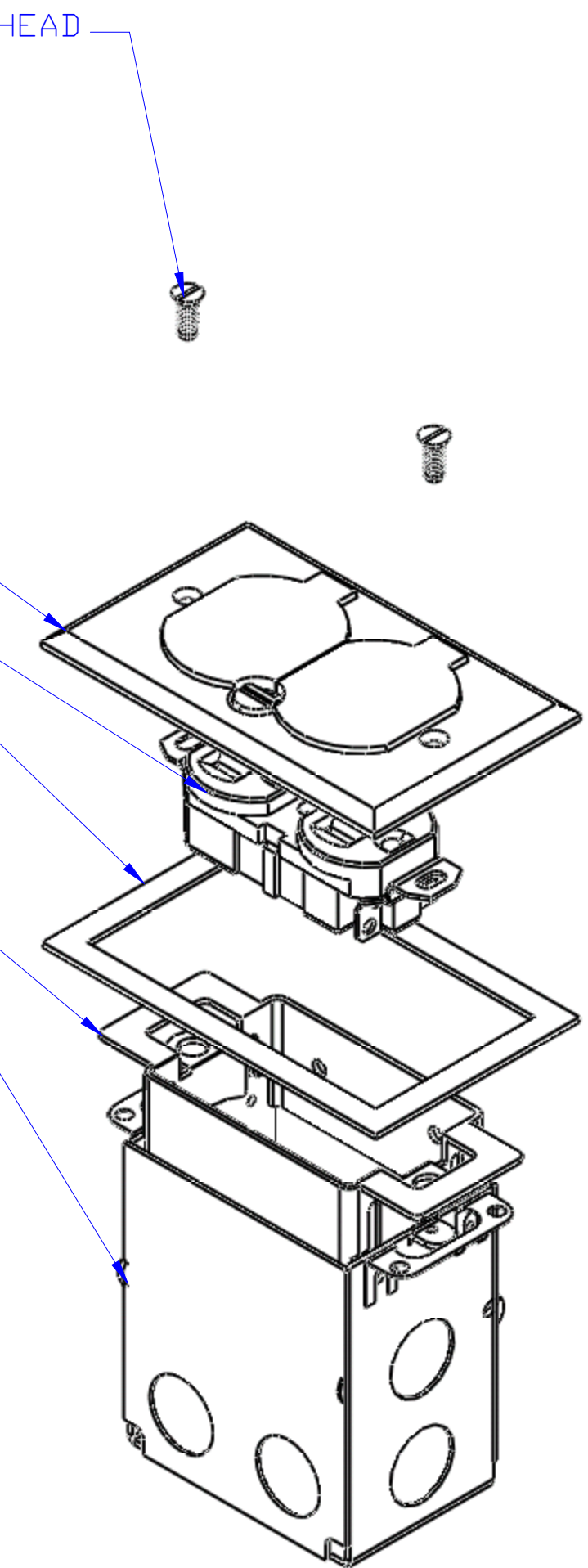
RRP-2-LR

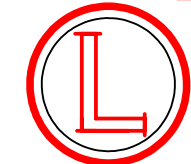
804 DRU

NEOPRENE GASKET

RRP-2-R

STAMPED STEEL BOX





**LEW ELECTRIC  
FITTINGS COMPANY**  
SERVING THE ELECTRICAL INDUSTRY SINCE 1901  
1801 W. St. Charles Rd. Maywood, IL 60153  
PHONE: 708-345-2075

UNLESS OTHERWISE SPECIFIED: DIMENSIONS ARE IN INCHES TOLERANCES: FRACTIONAL ± ANGULAR: MACH ± BEND ± TWO PLACE DECIMAL ± THREE PLACE DECIMAL ± INTERPRET GEOMETRIC TOLERANCING PER: MATERIAL FINISH DO NOT SCALE DRAWING	NAME DRAWN P.J.G. DATE 12/1/2007	TITLE: <h2 style="margin: 0;">SWB-2-LR</h2>
COMMENTS:	SIZE DWG. NO. <h3 style="margin: 0;">C</h3>	REV <h3 style="margin: 0;">A</h3>
WEIGHT:		SHEET 9 OF 12