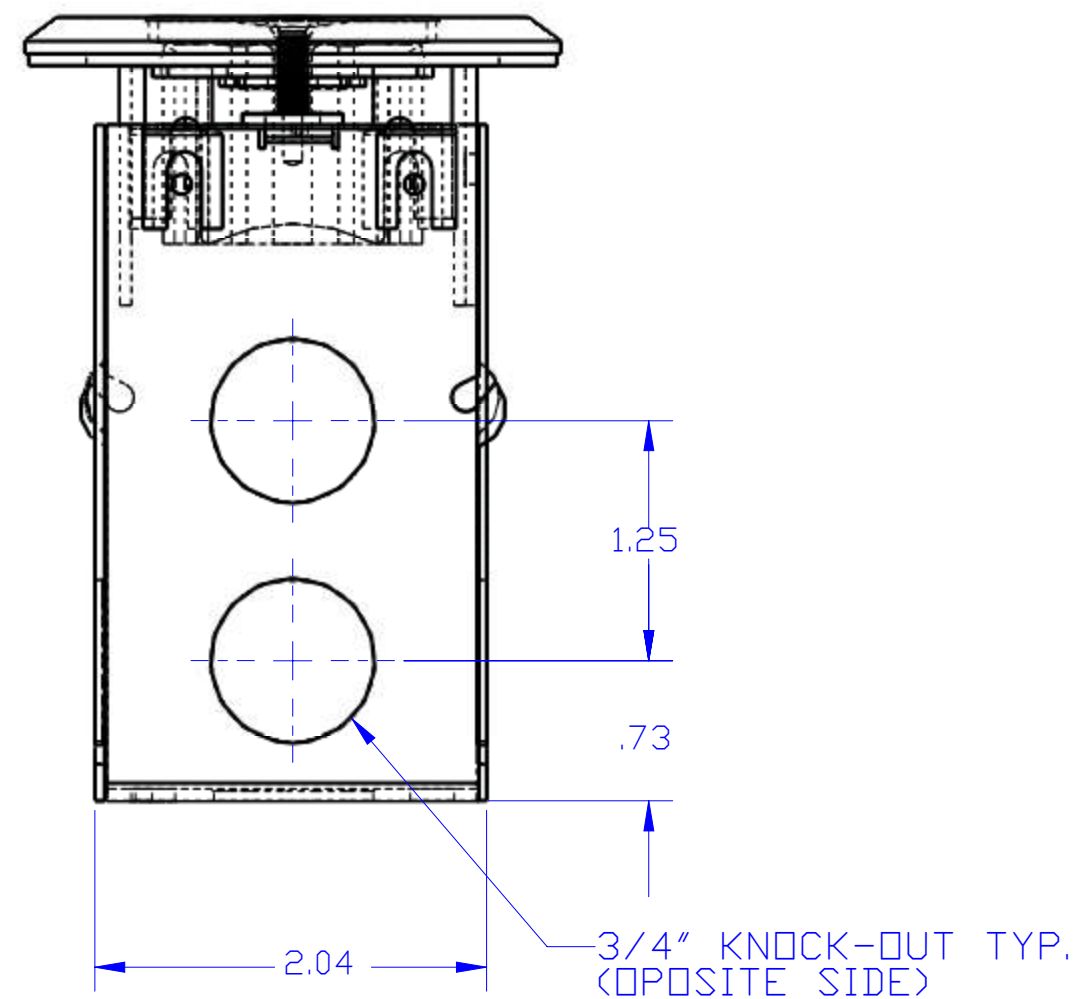
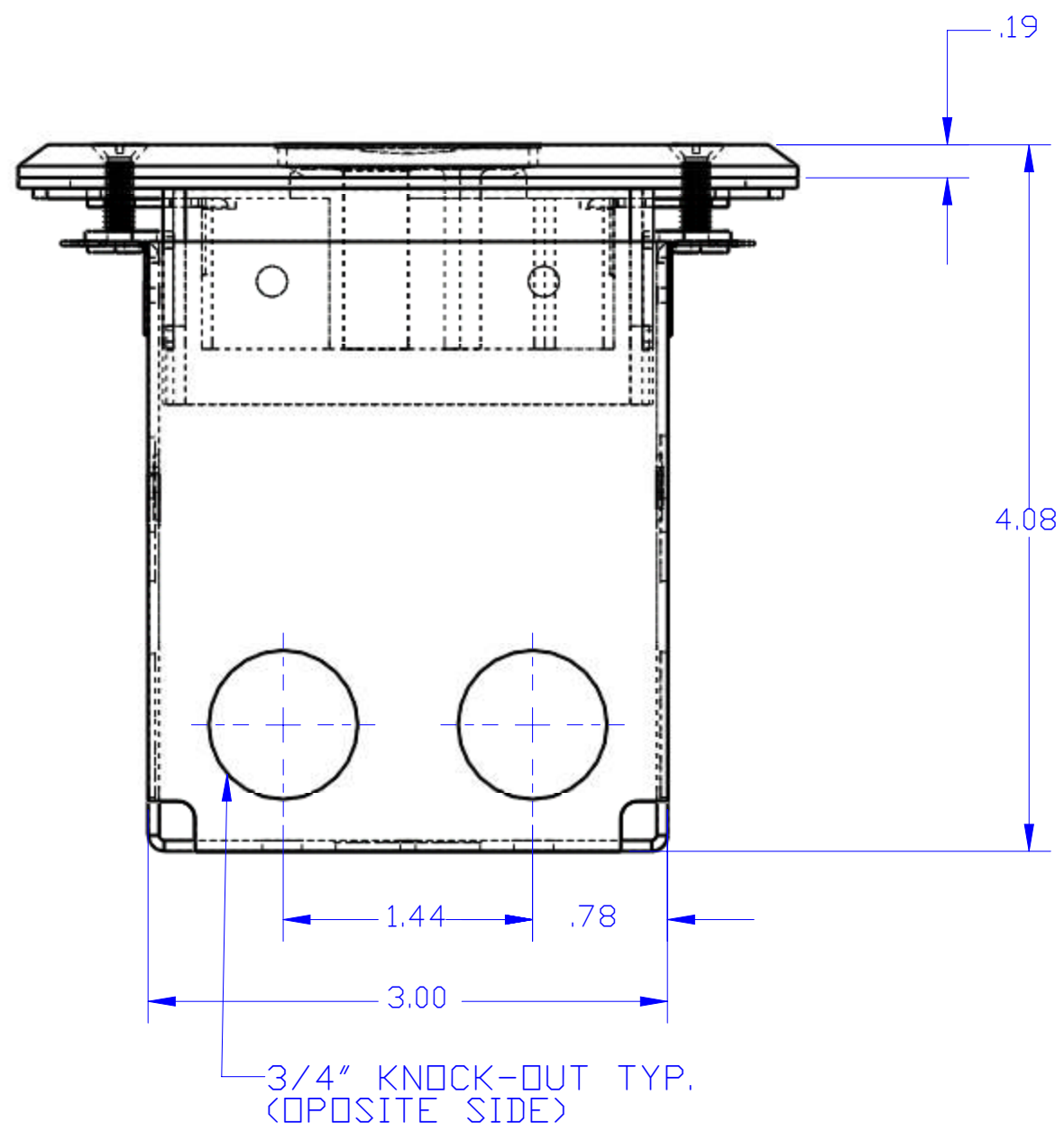
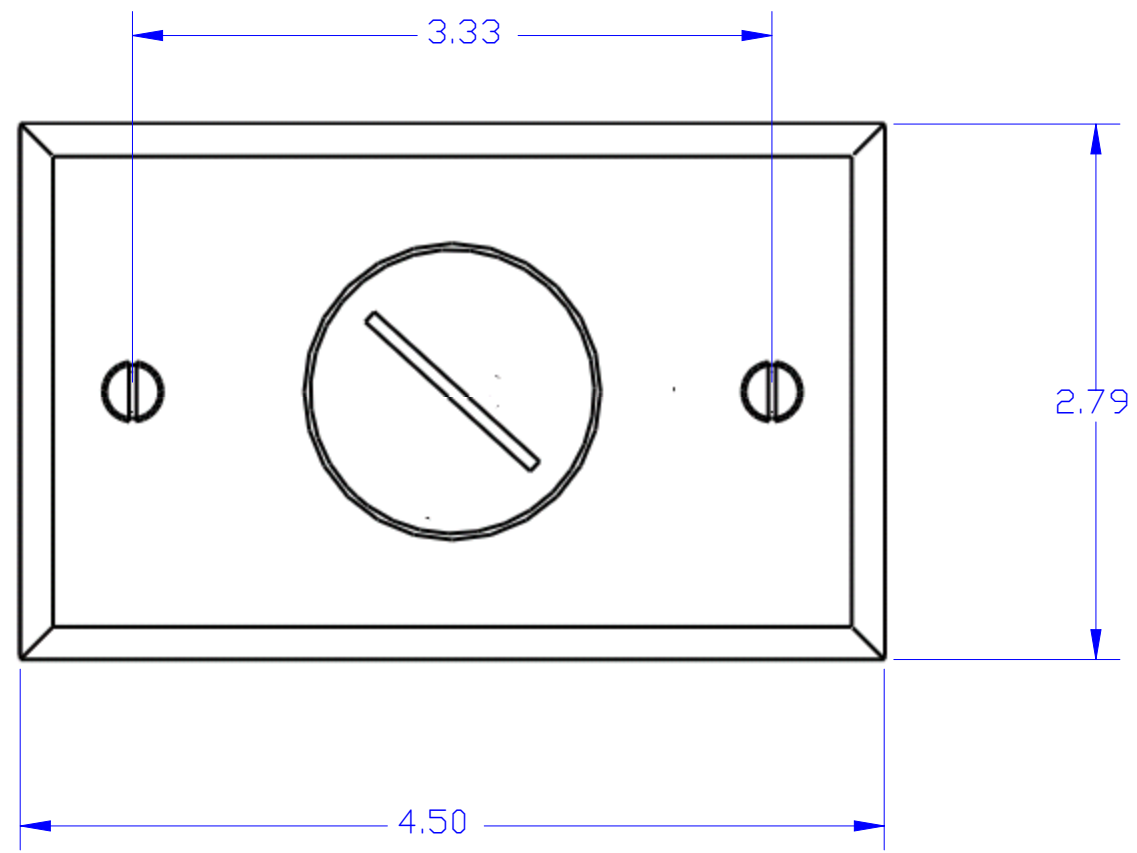


DESCRIPTION:
NICKEL PLATED RECESSED FLOOR PLATE
ASSEMBLY (SINGLE RECEPTACLE WITH BOX)



STAINLESS, [2] 6-32 X .75 FLAT HEAD
SCREW [1.25 ALSO PROVIDED]

6213-NP PLUG

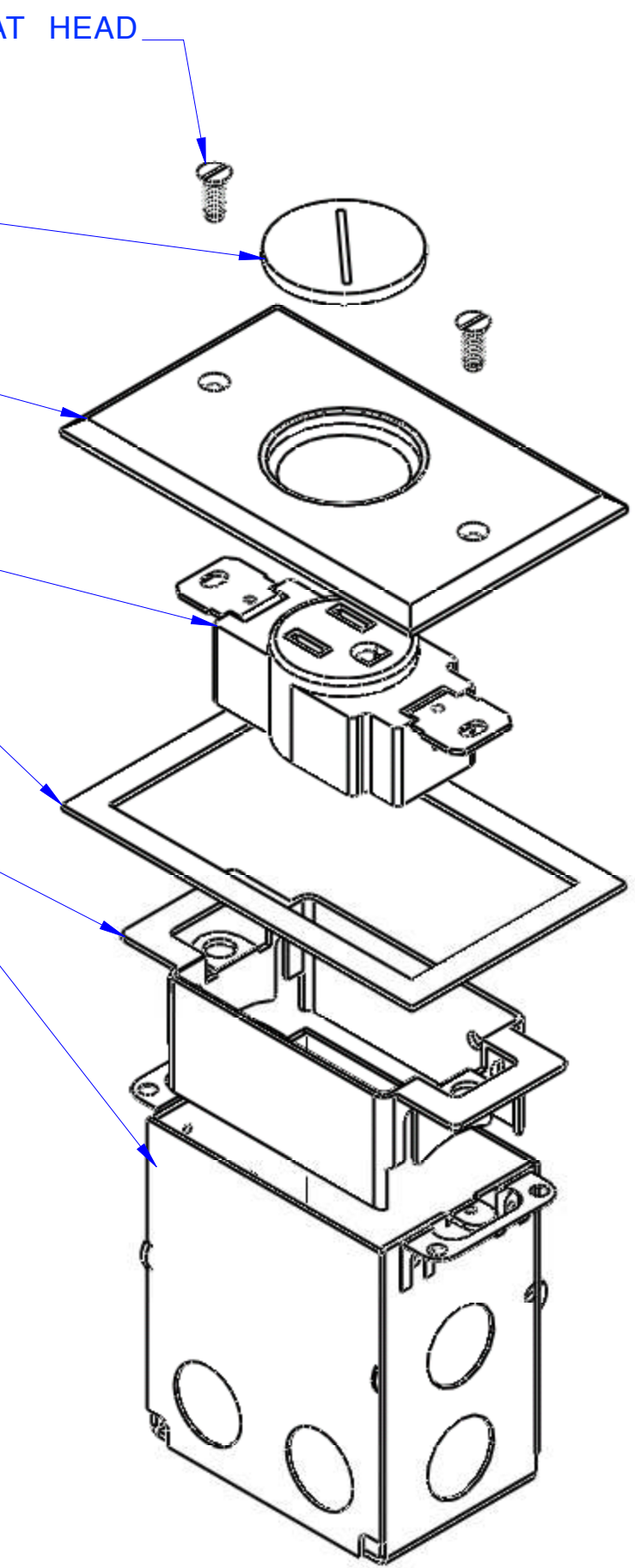
RRP-1-NPR

YA115R

NEOPRENE GASKET

RRP-2-R

STAMPED STEEL BOX



LEW ELECTRIC
FITTINGS COMPANY
SERVING THE ELECTRICAL INDUSTRY SINCE 1901
371 Randy Rd, Carol Stream IL 60188
PHONE: 630-665-2075

UNLESS OTHERWISE SPECIFIED:		NAME	DATE	TITLE: SWB-1-NP
DIMENSIONS ARE IN INCHES		DRAWN	P.J.G.	
TOLERANCES:		COMMENTS:		
FRACTIONAL ±				
ANGULAR: MATCH ± BEND ±				
TWO PLACE DECIMAL ±				
THREE PLACE DECIMAL ±		SIZE		DWG. NO.
INTERPRET GEOMETRIC TOLERANCING PER:		MATERIAL		REV A
FINISH		DO NOT SCALE DRAWING		WEIGHT:
				SHEET 2 OF 12