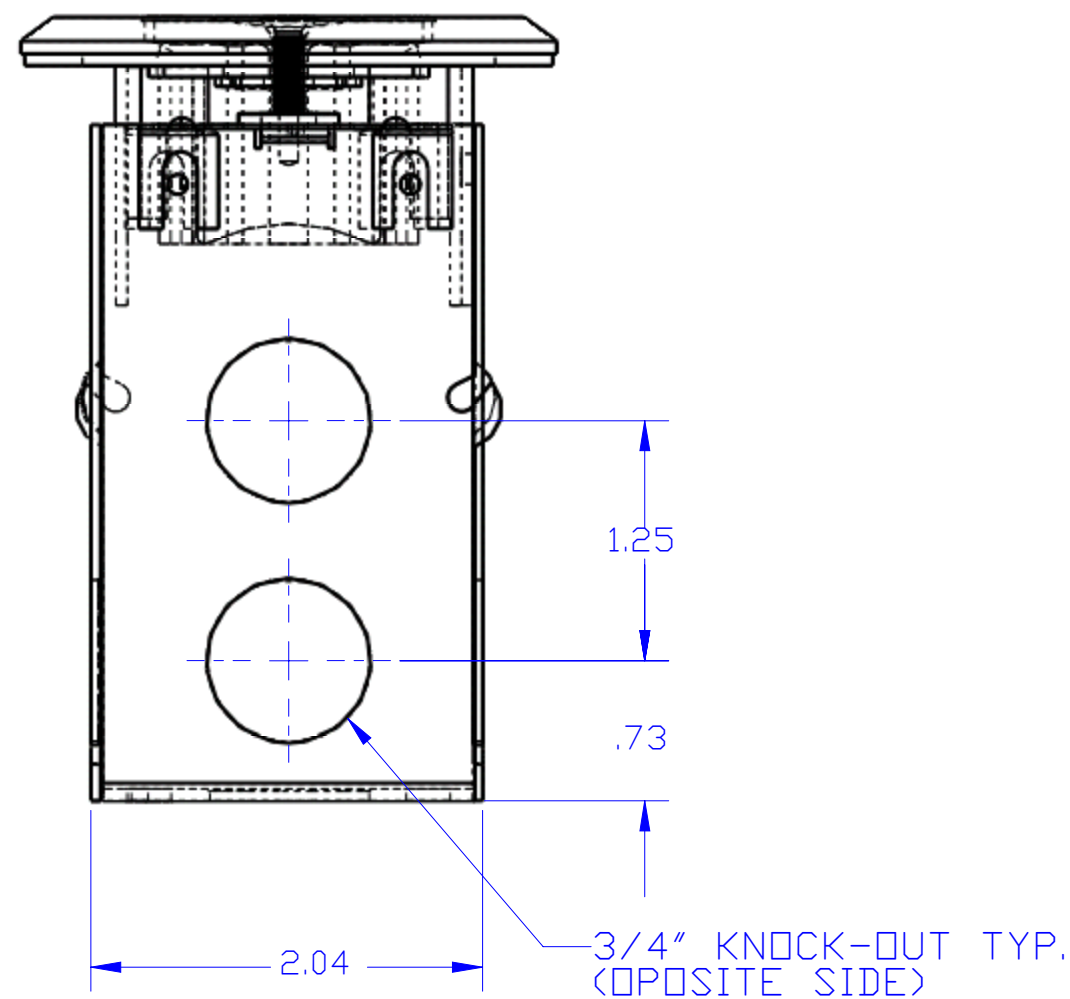
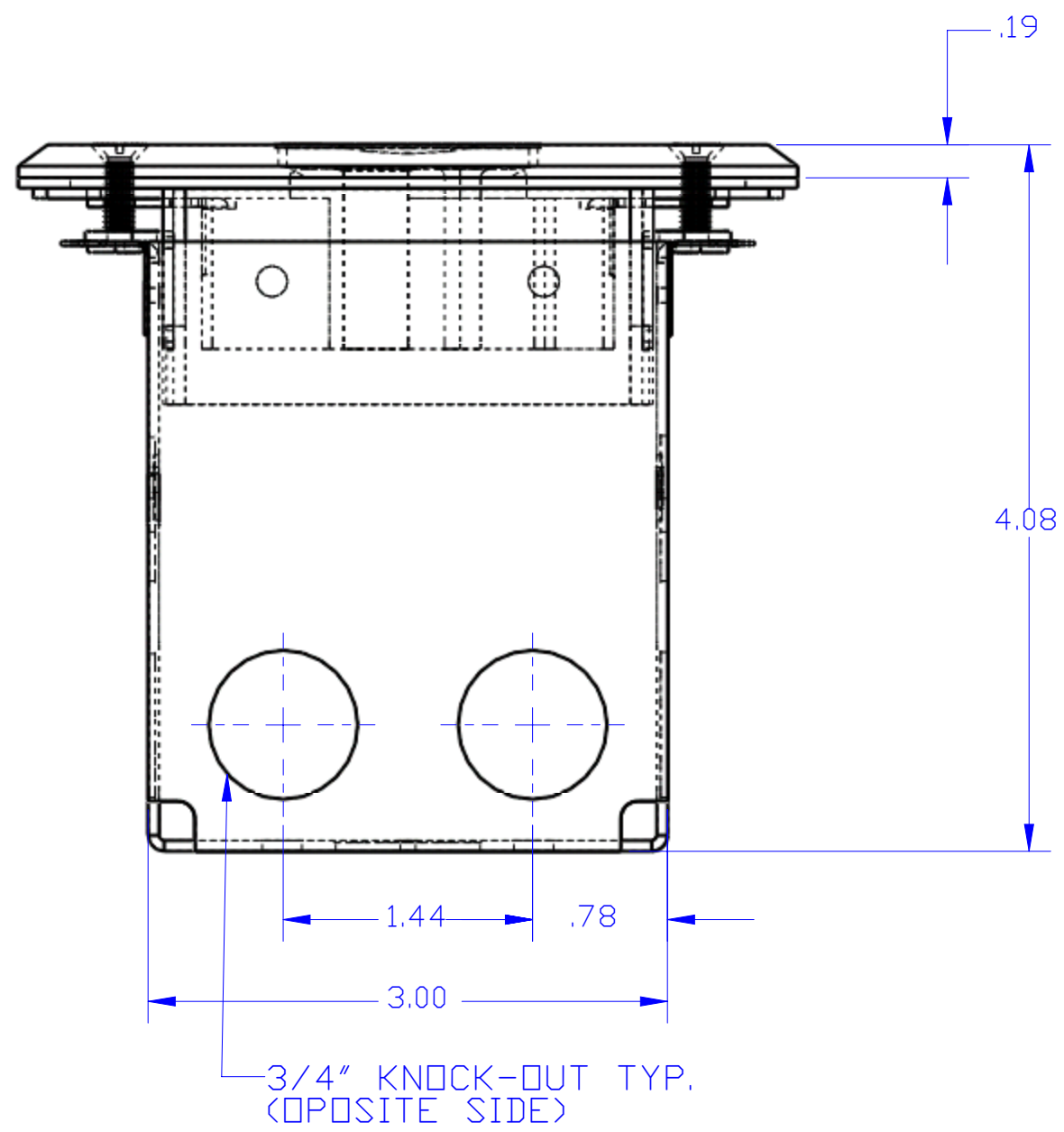
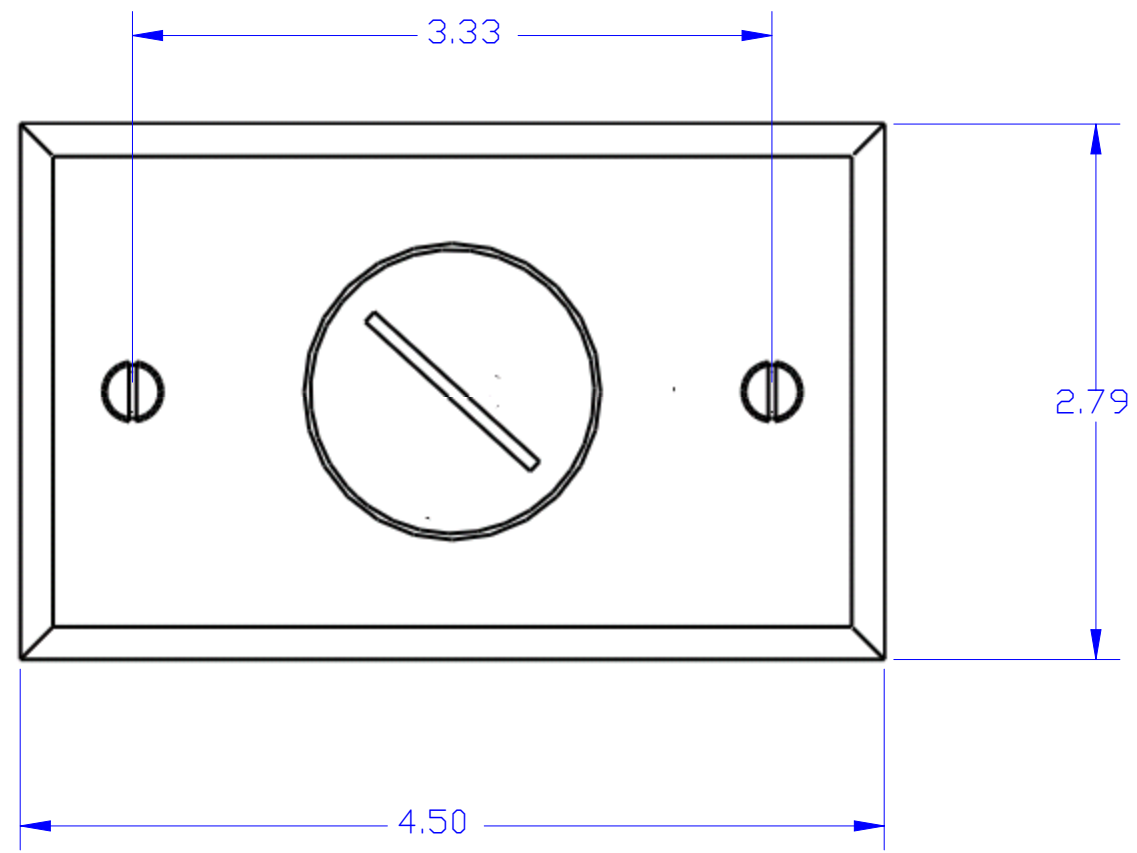


DESCRIPTION:  
BRASS PLATED RECESSED FLOOR PLATE  
ASSEMBLY (SINGLE RECEPTACLE WITH BOX)



BRASS, [2] 6-32 X .75 FLAT HEAD  
SCREW [1.25 ALSO PROVIDED]

6207-BP PLUG

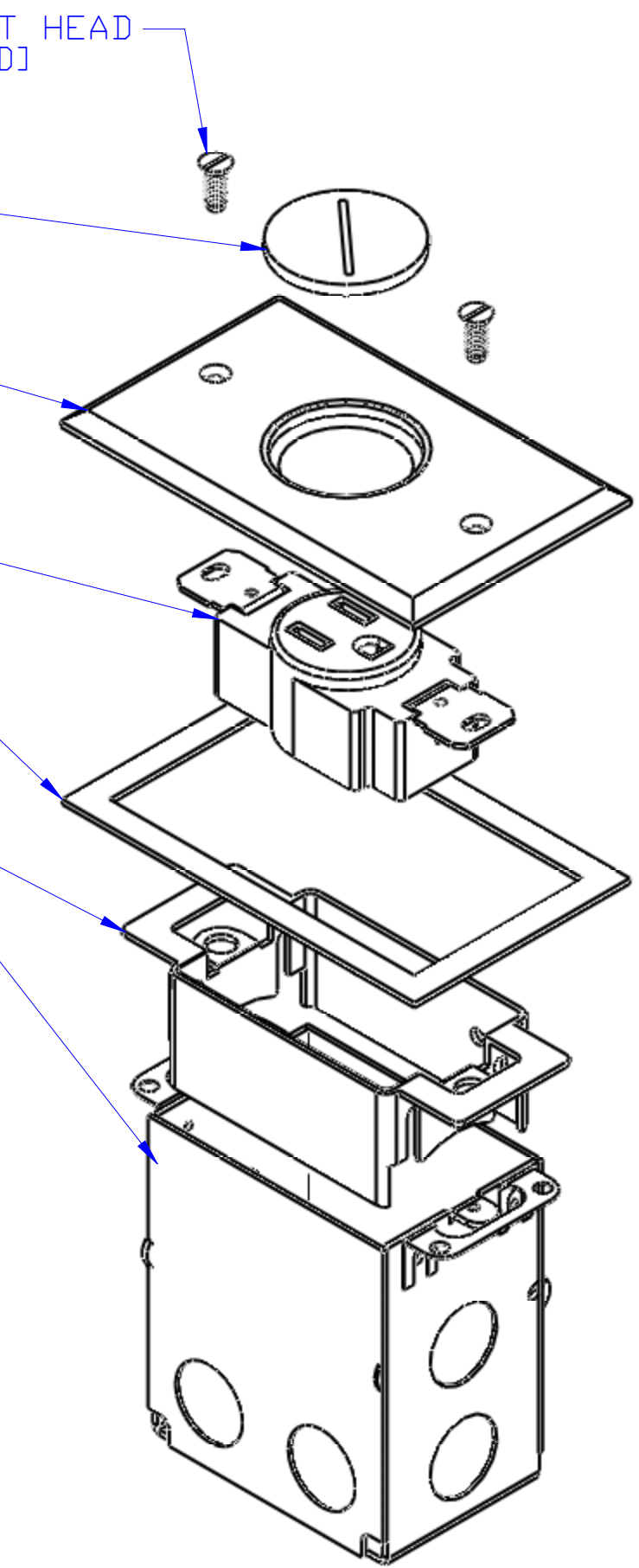
RRP-1-BP

YA115R

NEOPRENE GASKET

RRP-2-R

STAMPED STEEL BOX



**LEW ELECTRIC**  
**FITTINGS COMPANY**  
SERVING THE ELECTRICAL INDUSTRY SINCE 1901  
1801 W. St. Charles Rd. Maywood, IL 60153  
PHONE: 708-345-2075

UNLESS OTHERWISE SPECIFIED:	NAME	DATE	TITLE: <b>SWB-1-BP</b>
DIMENSIONS ARE IN INCHES	DRAWN	12/1/2007	
TOLERANCES:			SIZE DWG. NO. REV <b>C</b>
FRACTIONAL ±			
ANGULAR: MACH ± BEND ±			
TWO PLACE DECIMAL ±			
THREE PLACE DECIMAL ±			WEIGHT: SHEET 1 OF 12
INTERPRET GEOMETRIC TOLERANCING PER:	COMMENTS:		
MATERIAL			
FINISH			
DO NOT SCALE DRAWING			