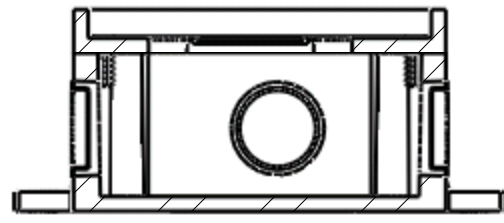
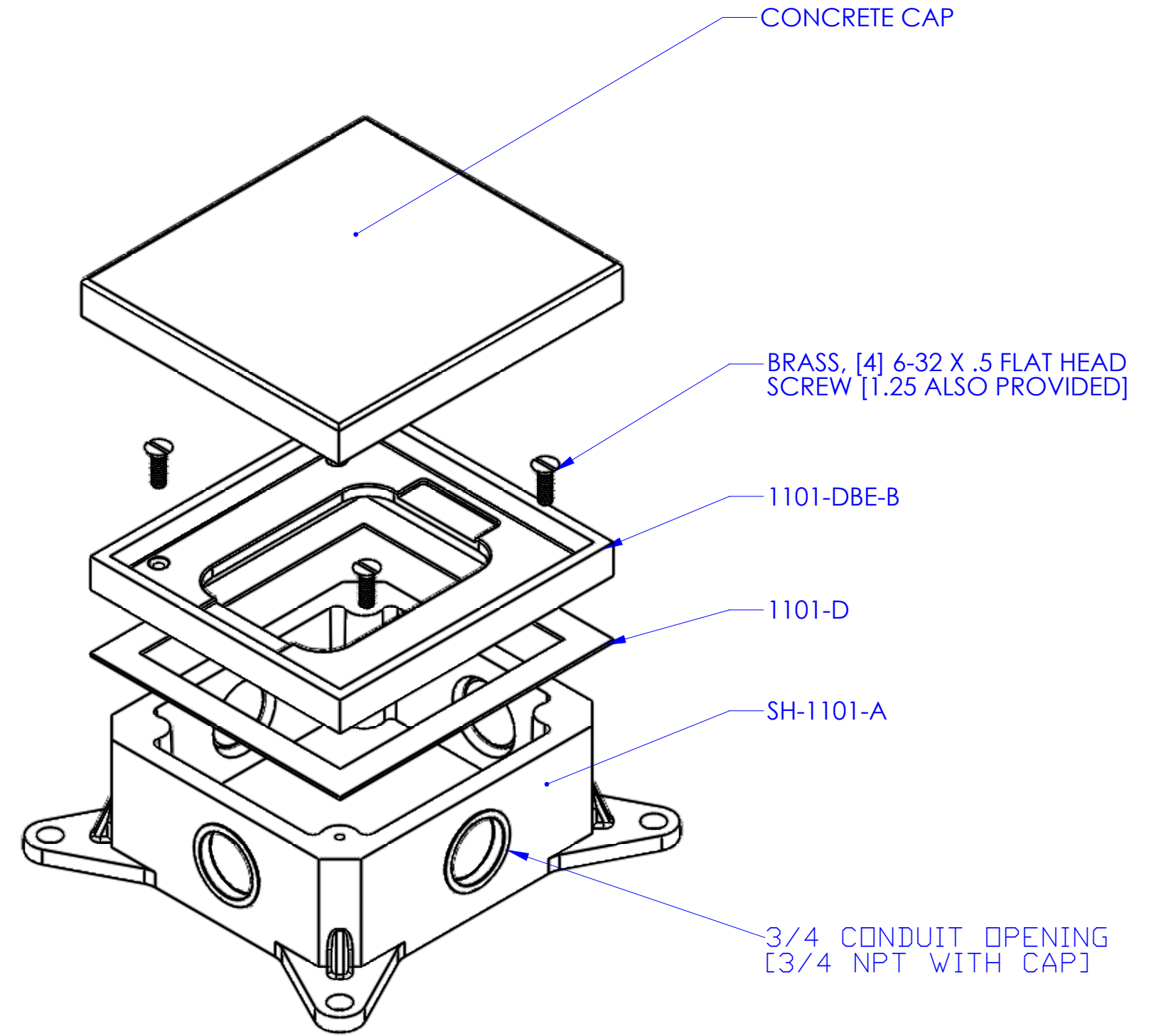
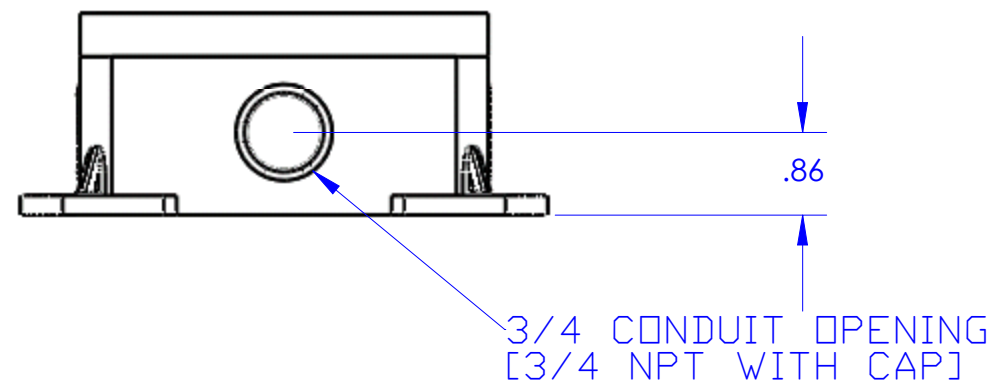
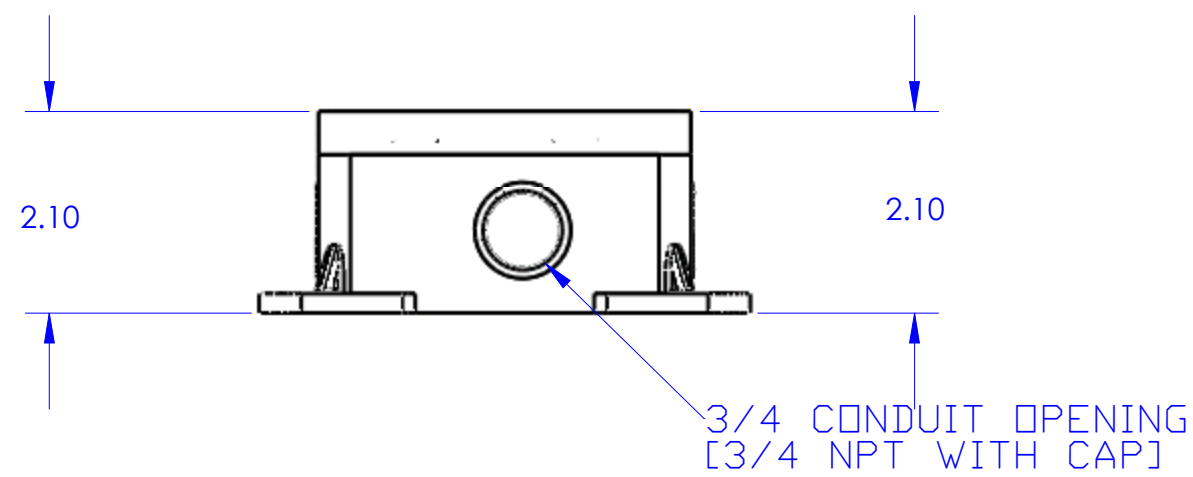
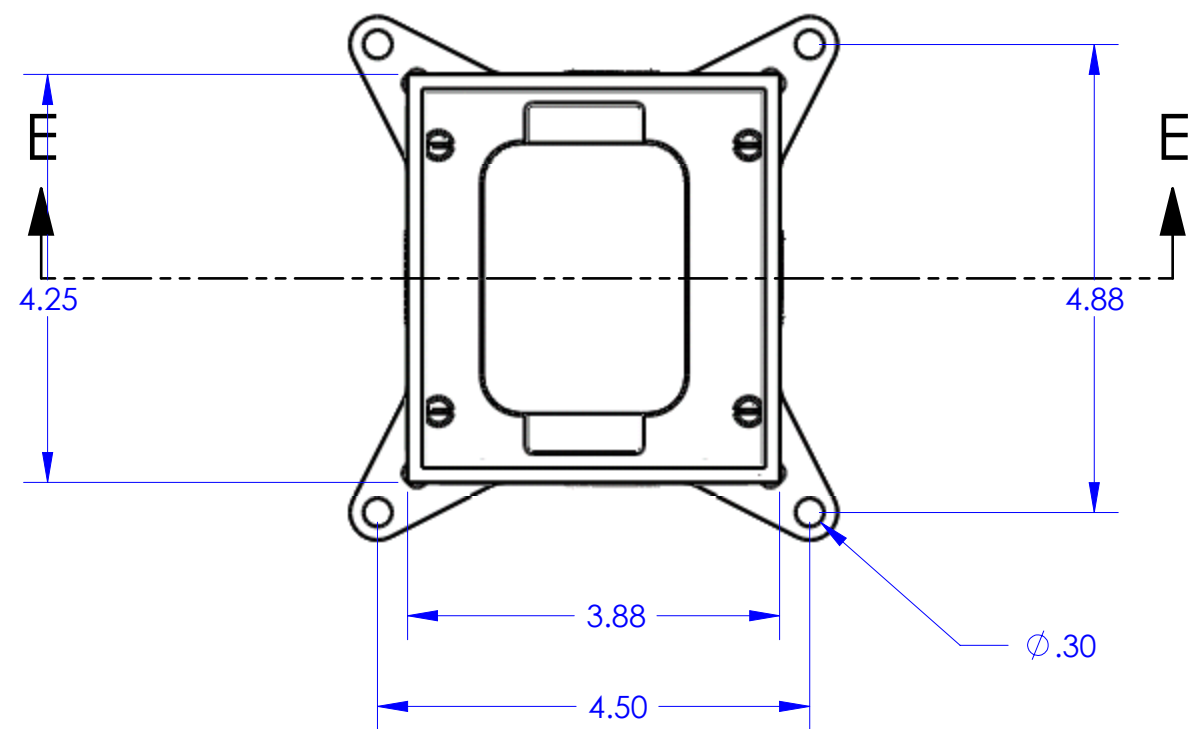


DESCRIPTION:
BRASS, SHALLOW, SINGLE GANG CAST BOX, SEMI ADJUSTABLE



SECTION E-E



LEW ELECTRIC
FITTINGS COMPANY
SERVING THE ELCTRICAL INDUSTRY SINCE 1901
1801 W. St. Charles Rd. Maywood, IL 60153
PHONE: 708-345-2075

UNLESS OTHERWISE SPECIFIED:		NAME	DATE	TITLE: SH-1101-58
DIMENSIONS ARE IN INCHES		DRAWN	P.J.G.	
TOLERANCES:		COMMENTS:		
FRACTIONAL: ±				
ANGULAR: MACH ± BEND ±				
TWO PLACE DECIMAL ±				
THREE PLACE DECIMAL ±		REV A		
INTERPRET GEOMETRIC TOLERANCING PER:		SIZE DWG. NO.		
MATERIAL		A 1001440		
FINISH		WEIGHT: SHEET 7 OF 12		
DO NOT SCALE DRAWING				